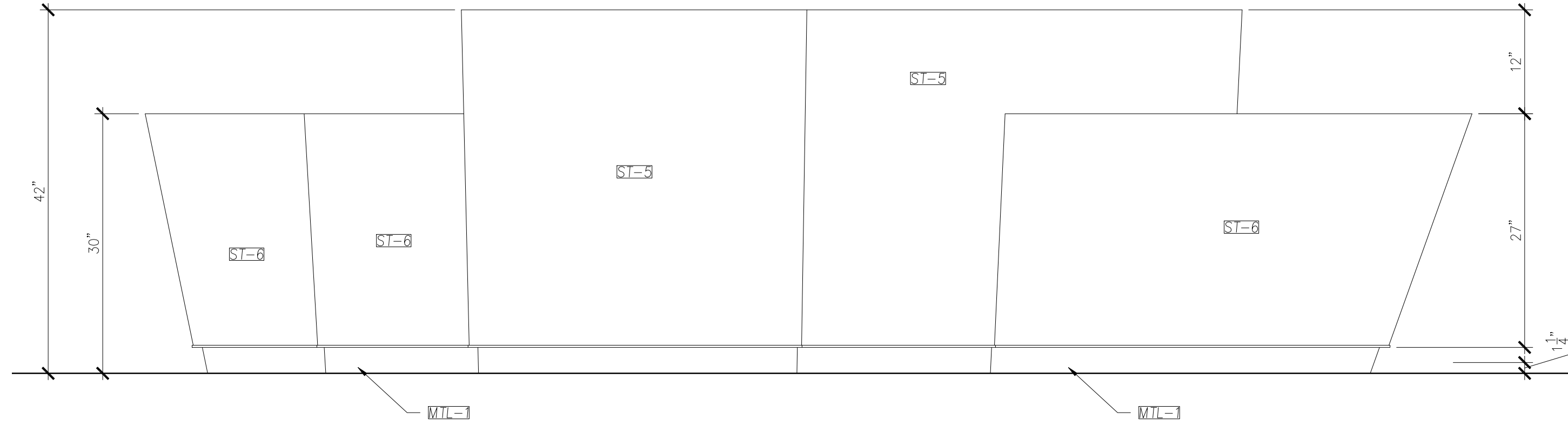
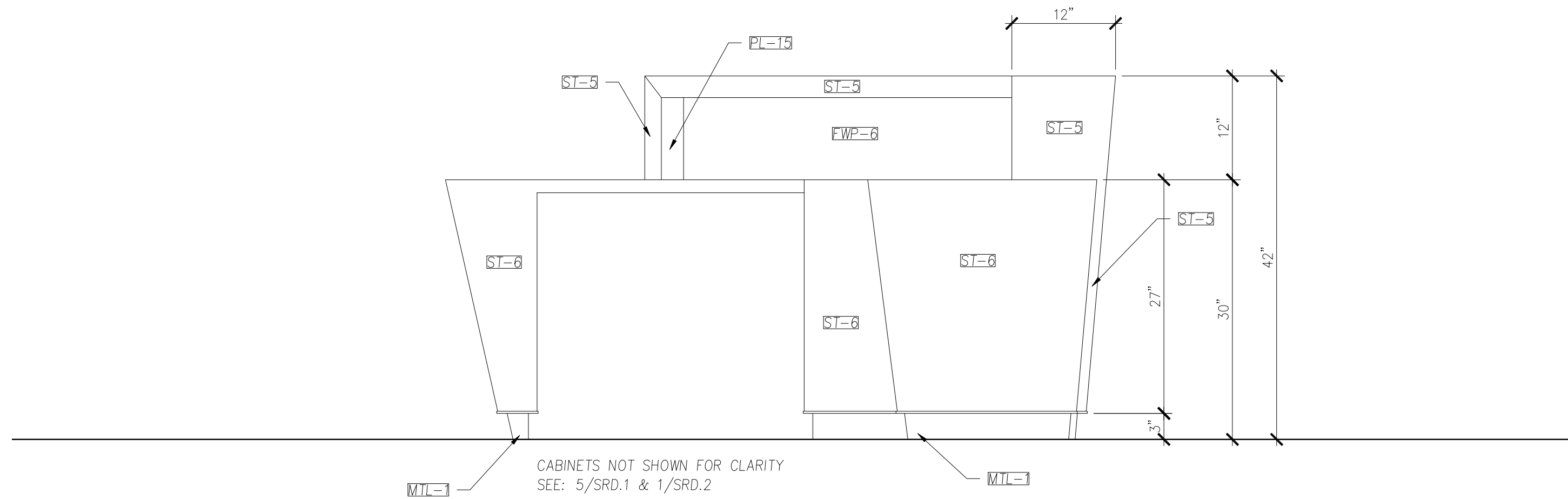


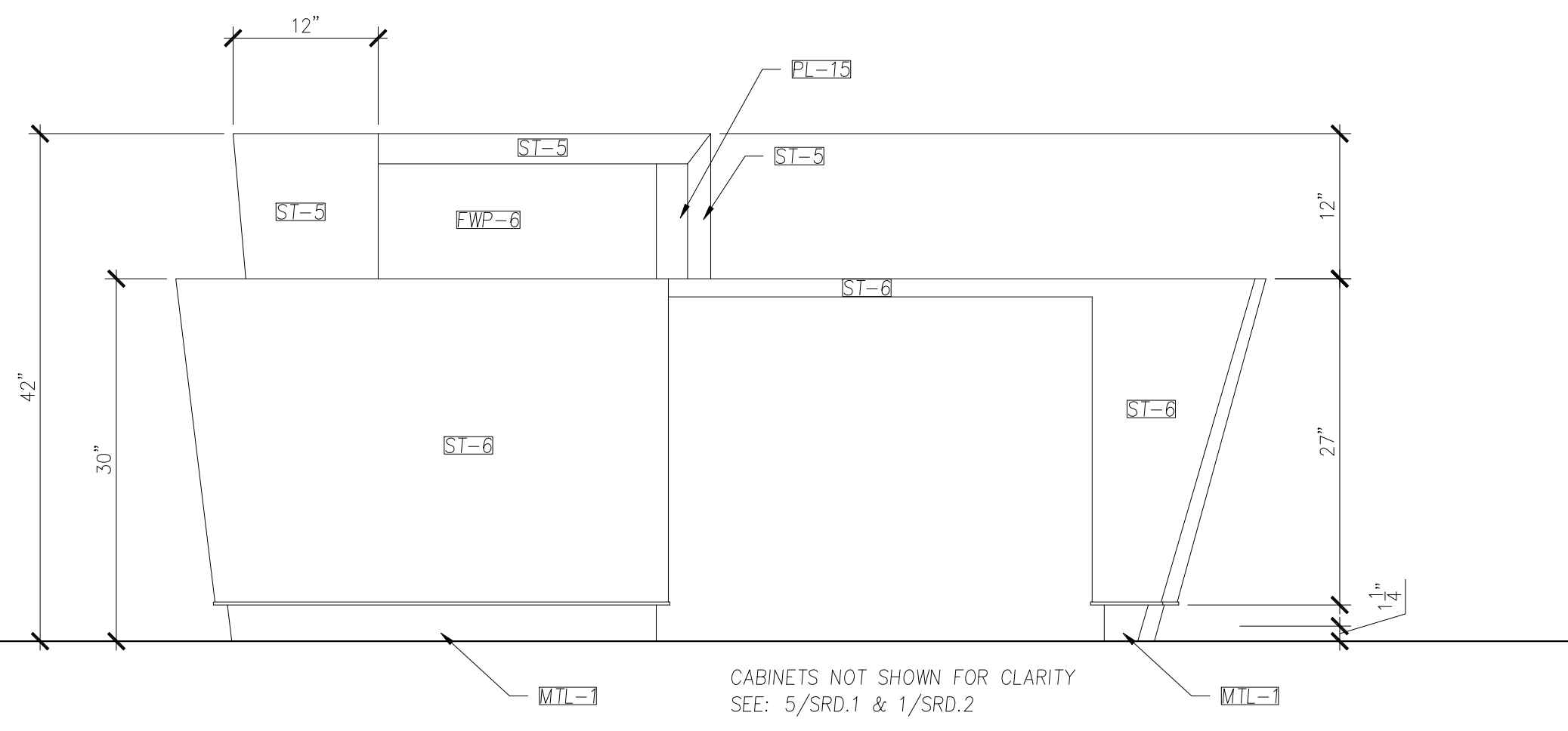
**1** LOCATION PLAN - SATELLITE RECEPTION DESK  
Scale: 3/4"=1'-0"



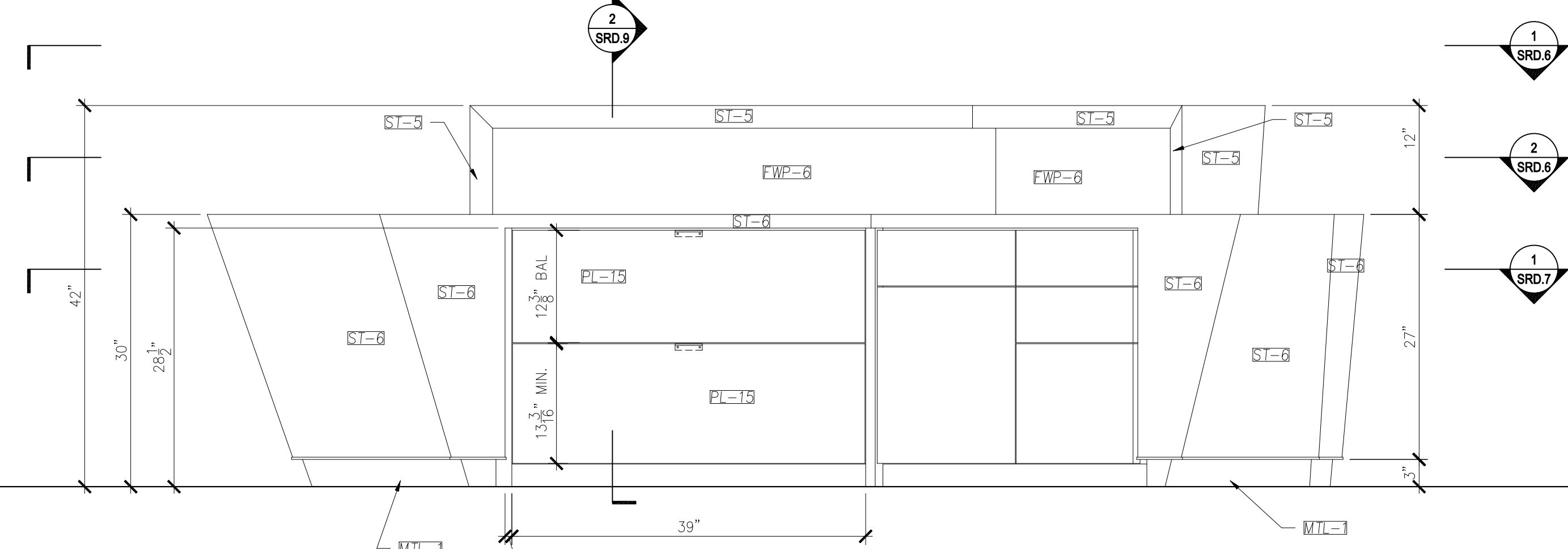
**2** ELEVATION - RECEPTION DESK  
Scale: 1"=1'-0"



**3** ELEVATION - RECEPTION DESK  
Scale: 1"=1'-0"



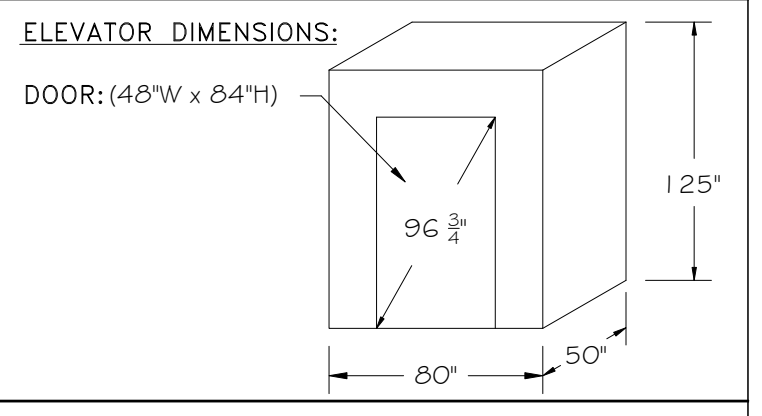
**4** ELEVATION - RECEPTION DESK  
Scale: 1"=1'-0"



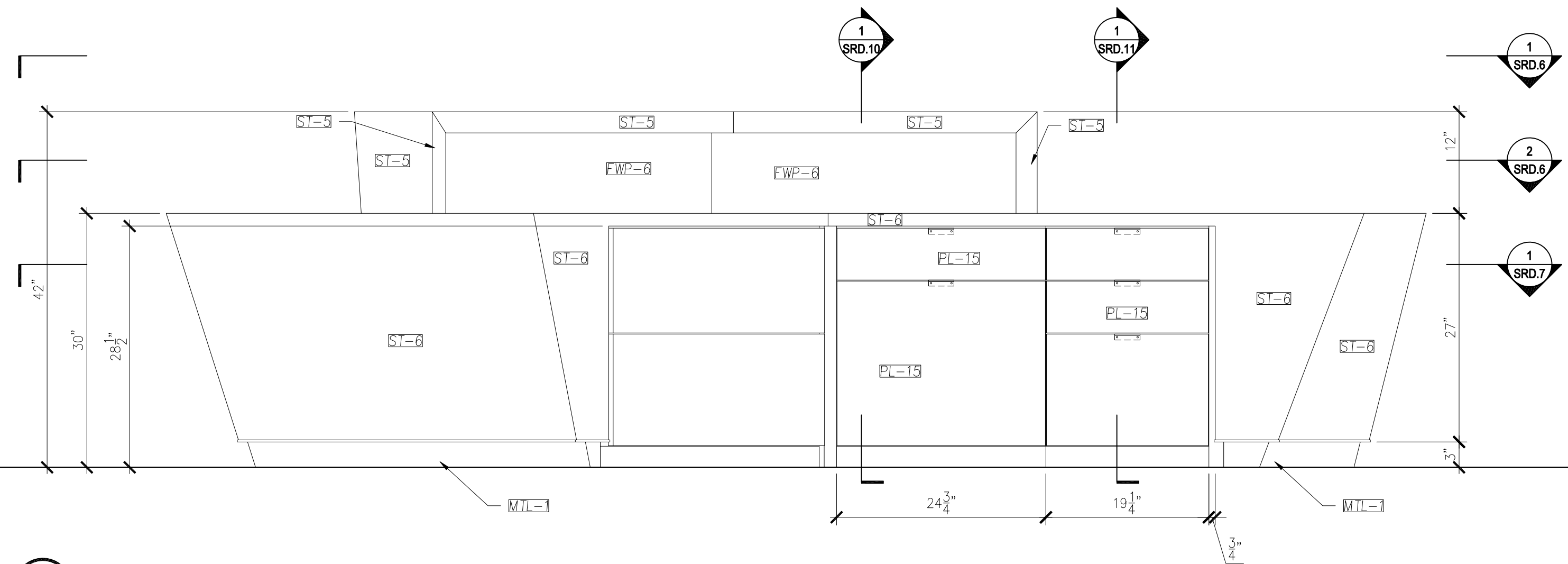
**5** ELEVATION - RECEPTION DESK  
Scale: 1"=1'-0"

**MATERIAL SCHEDULE**

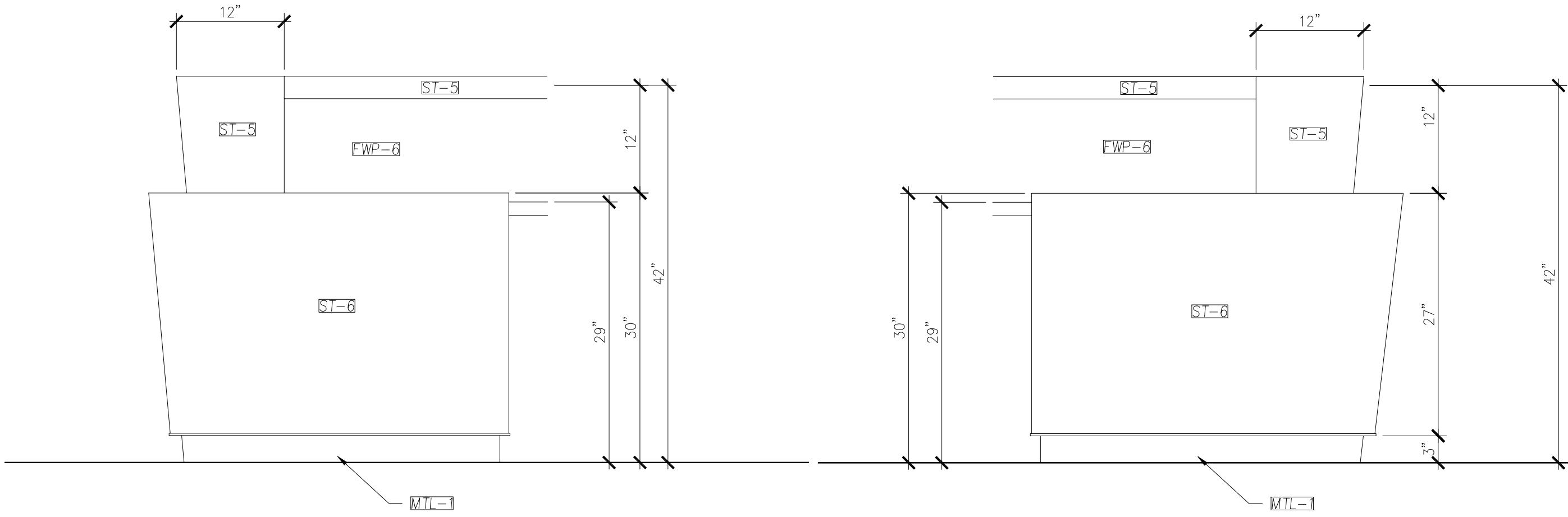
MATERIALS	
Exposed:	Per Schedule
Semi-exposed Surfaces:	N/A
Concealed:	Mill Choice
Toe-Kick:	3/4" Plywood or MDF Finish per Drawing
Core Material:	Sierra Pine, Encore, Particleboard
---	
EDGE BANDING	
Self-Edge:	Laminate or PVC To Match Face
---	
PROJECT HARDWARE	
Pulls:	Epco DP41 3" PA - Polished
Drawer Slides:	Accuride 3832EC Full Ext. Easy Close or EQ.
---	
FINISHES	
PL-1:	Formica - Storm, 912-58, Matte
---	
FWP-6:	1/4" Cork, Fabric: Knoll, WC1499/2, Film Reel, Startel
---	
ST-5:	Granite, Color: Misty Black, Finish: Polished
ST-6:	Burlington Stone, Color: Kirby, Finish: Honed
---	
MTL-1:	Stainless Steel, No. 8 Finish, Almost Mirror Polished
---	



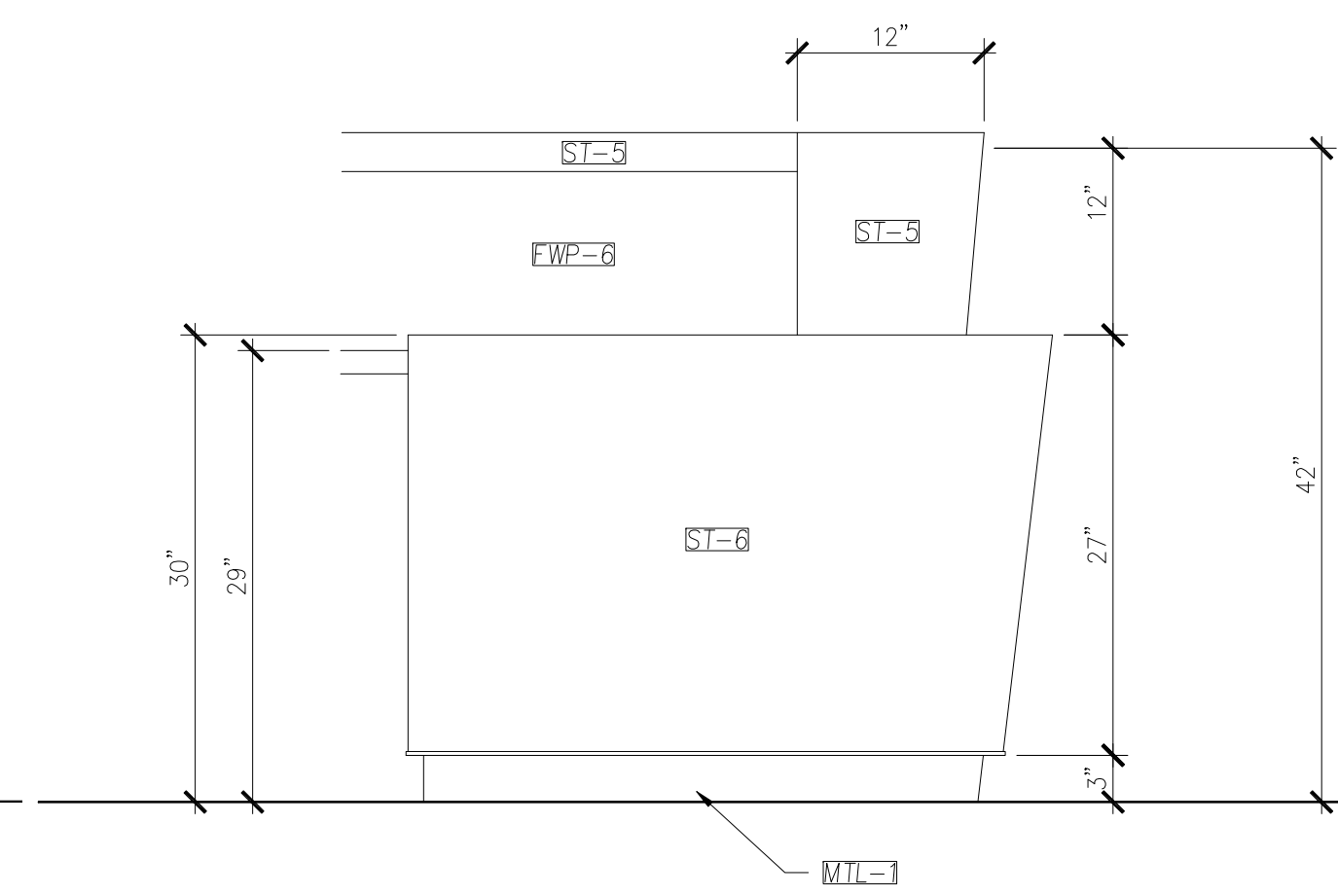
PROJECT:	
TITLE: SATELLITE RECEPTION DESK FLOOR PLAN / ELEVATIONS	
ARCHITECT:	
CONTRACTOR:	
PROJECT MANAGER:	DRAWN BY: AKC
SCALE: AS NOTED	DATE DRAWN: 9-30-16
REVISIONS: 10/10/16 PER REDLINES	DATE APPROVED:
---	JOB NO.:
---	SHEET NO.:
SRD.1	



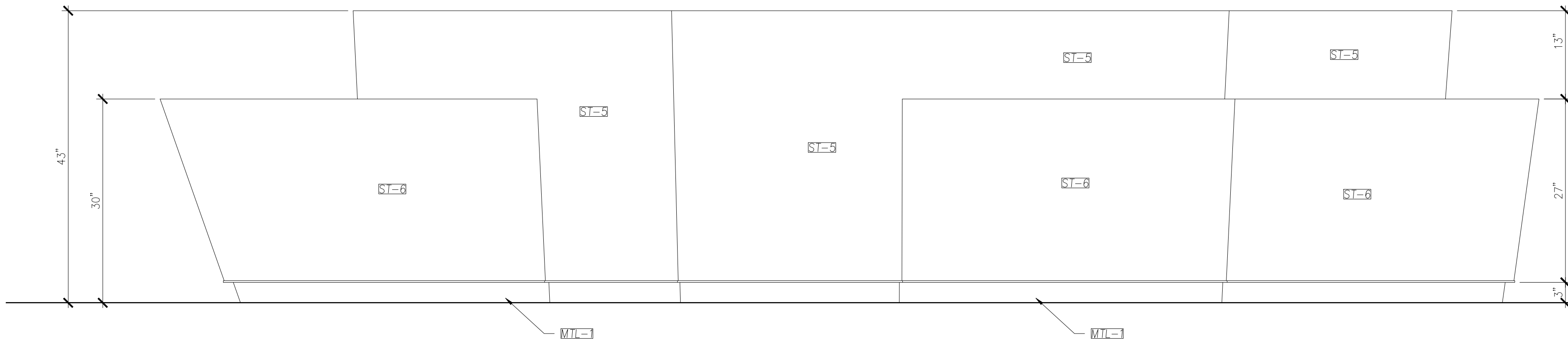
**1 ELEVATION - RECEPTION DESK**  
Scale: 1"=1'-0"



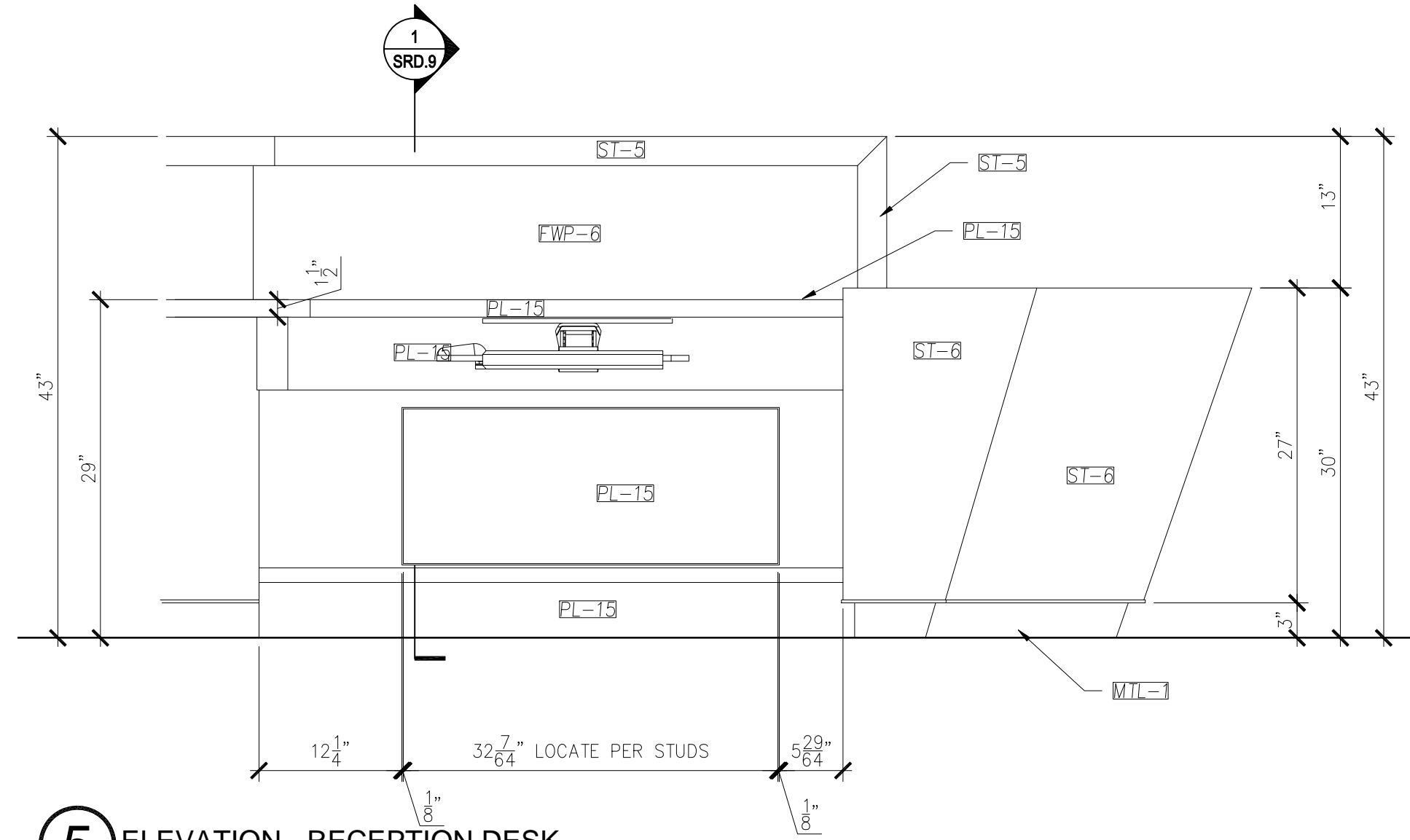
**2 ELEVATION - RECEPTION DESK**  
Scale: 1"=1'-0"



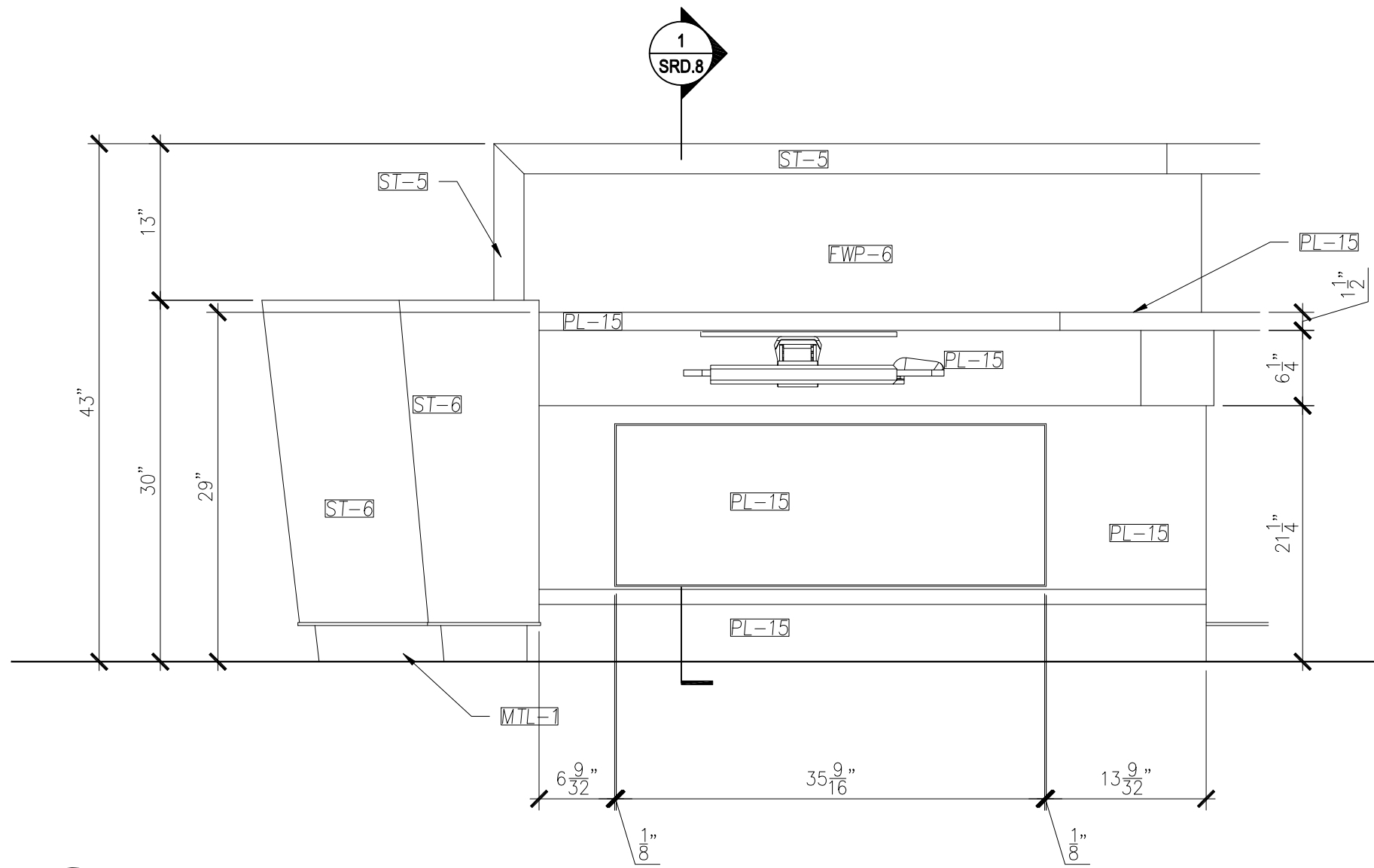
**3 ELEVATION - RECEPTION DESK**  
Scale: 1"=1'-0"



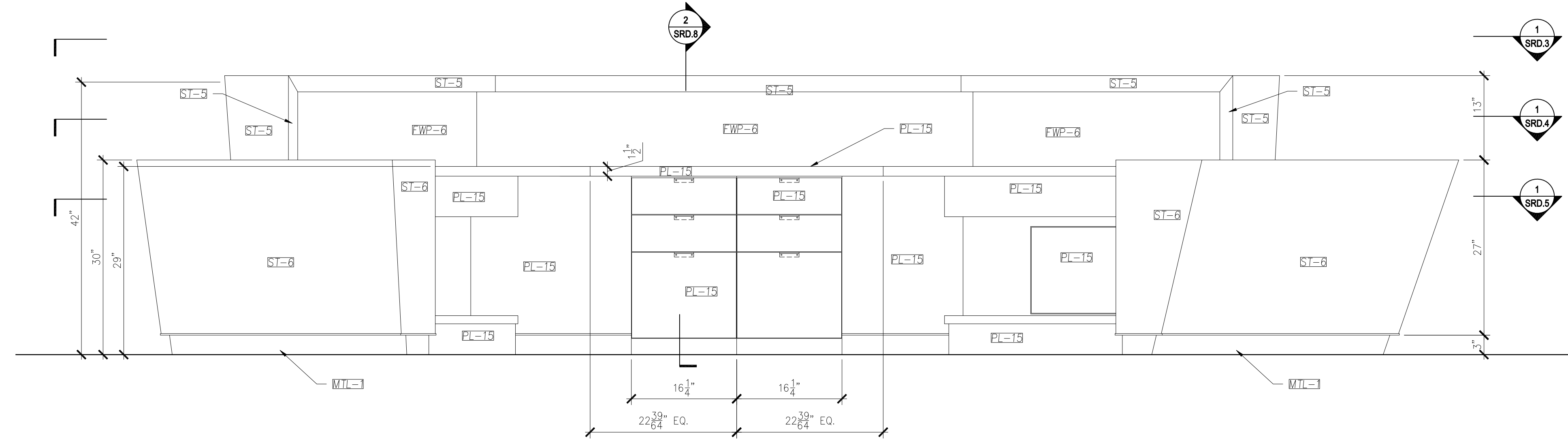
**4 ELEVATION - RECEPTION DESK**  
Scale: 1"=1'-0"



**5 ELEVATION - RECEPTION DESK**  
Scale: 1"=1'-0"

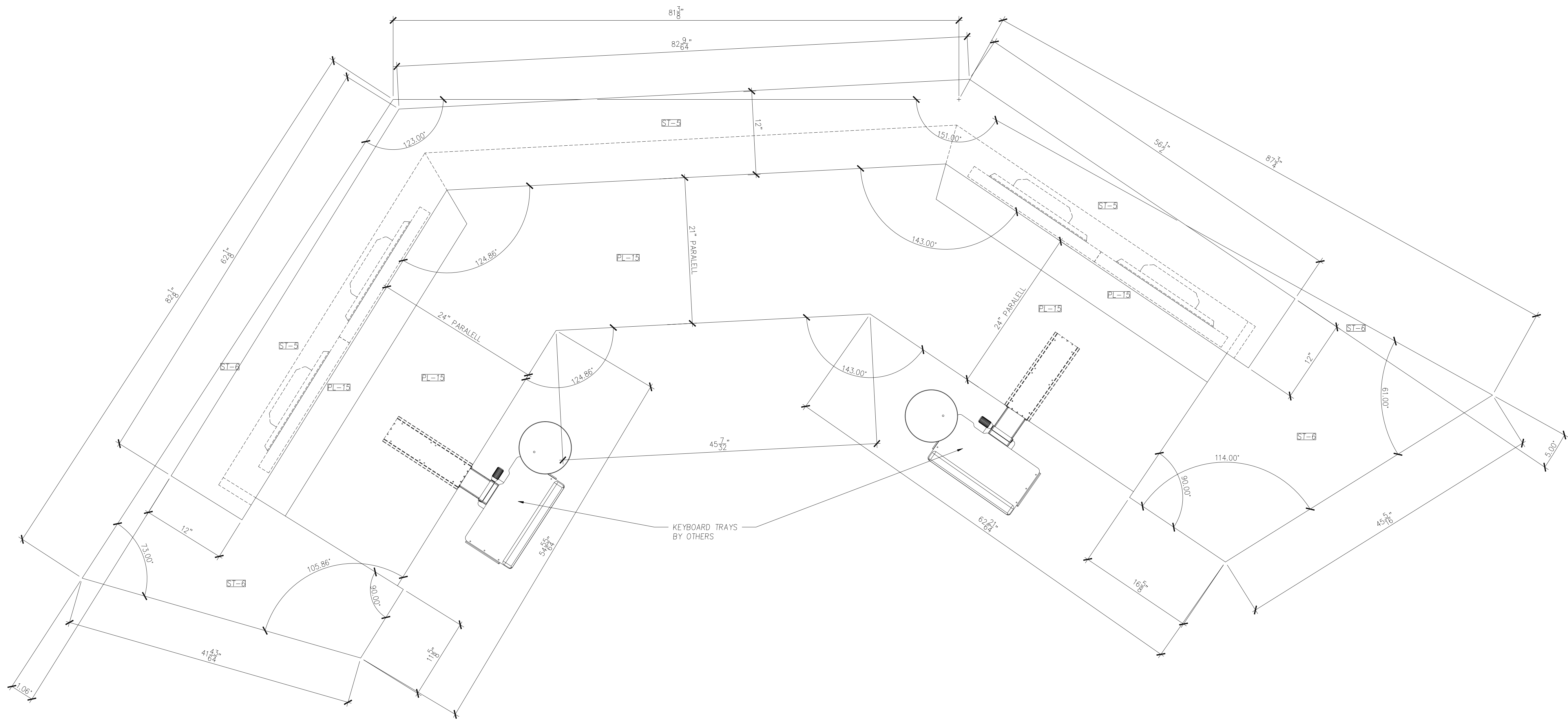


**6 ELEVATION - RECEPTION DESK**  
Scale: 1"=1'-0"



**7 ELEVATION - RECEPTION DESK**  
Scale: 1"=1'-0"

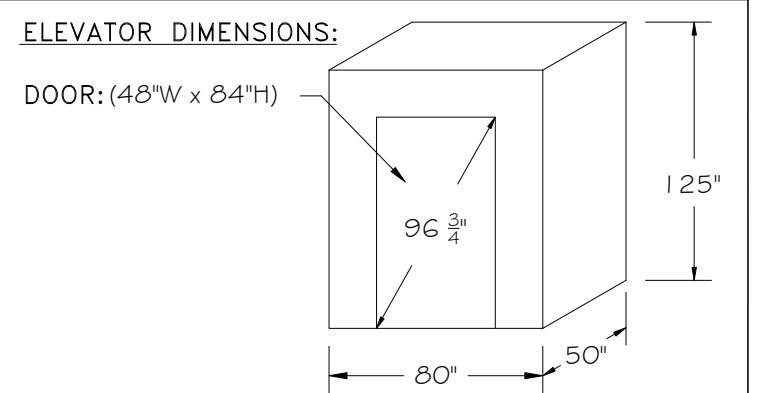
MATERIAL SCHEDULE	
MATERIALS	
Exposed: Per Schedule	
Semi-exposed Surfaces: N/A	
Concealed: Mill Choice	
Toe-Kick: 3/4" Plywood or MDF Finish per Drawing	
Core Material: Sierra Pine, Encore, Particleboard	
---	
---	
EDGEBANDING	
Self-Edge, Laminate or PVC To Match Face	
---	
---	
PROJECT HARDWARE	
Pulls: Epco DP41 3" PA - Polished	
Drawer Slides: Accuride 3832EC Full Ext. Easy Close or EQ.	
---	
---	
---	
---	
---	
---	
---	
---	
FINISHES	
PL-1: Formica - Storm, 912-58, Matte	
---	
FWP-6: 1/4" Cork, Fabric: Knoll, WC1499/2, Film Reel, Startel	
---	
ST-5: Granite, Color: Misty Black, Finish: Polished	
ST-6: Burlington Stone, Color: Kirby, Finish: Honed	
---	
MTL-1: Stainless Steel, No. 8 Finish, Almost Mirror Polished	
---	
---	
---	
ELEVATOR DIMENSIONS:	
DOOR: (48"W x 84"H)	
PROJECT:	
TITLE: SATELLITE RECEPTION DESK ELEVATIONS	
ARCHITECT:	
CONTRACTOR:	
PROJECT MANAGER:	DRAWN BY: AKC
SCALE: AS NOTED	DATE DRAWN: 9-30-16
REVISIONS: 10/10/16 PER REDLINES	DATE APPROVED:
---	JOB NO.:
---	SHEET NO.:
SRD.2	



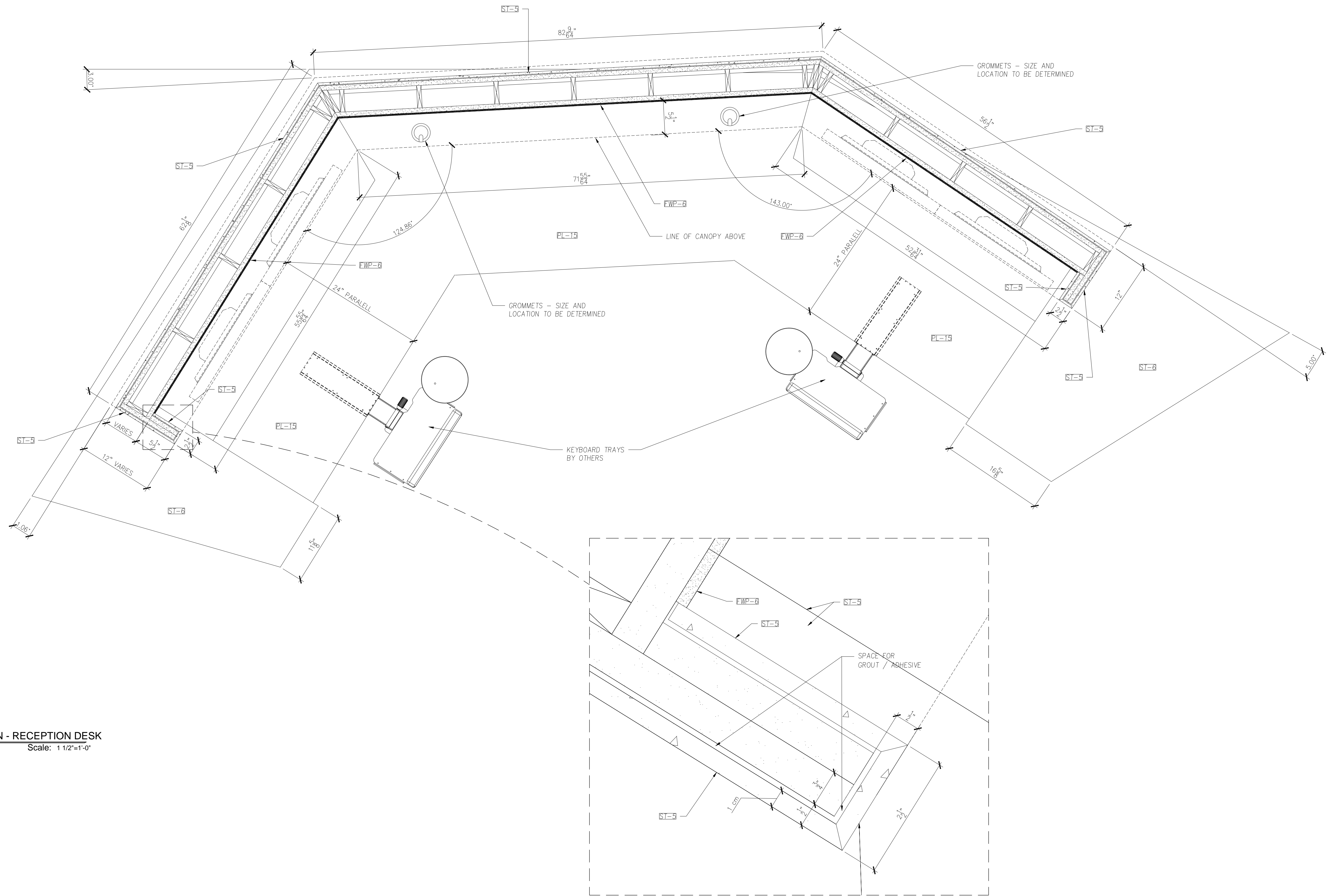
1 PLAN VIEW - RECEPTION DESK  
Scale: 1 1/2"=1'-0"

**MATERIAL SCHEDULE**

<b>MATERIALS</b>	
Exposed:	Per Schedule
Semi-exposed Surfaces:	N/A
Concealed:	Mill Choice
Toe-Kick:	3/4" Plywood or MDF Finish per Drawing
Core Material:	Sierra Pine, Encore, Particleboard
--	--
<b>EDGEBANDING</b>	
Self-Edge:	Laminate or PVC To Match Face
--	--
<b>PROJECT HARDWARE</b>	
Pulls:	Epco DP41 3" PA - Polished
Drawer Slides:	Accuride 3832EC Full Ext. Easy Close or EQ.
--	--
<b>FINISHES</b>	
PL-1:	Formica - Storm, 912-58, Matte
--	--
FWP-6:	1/4" Cork Fabric: Knoll, WC1499/2, Film Reel, Startel
--	--
ST-5:	Granite, Color: Misty Black, Finish: Polished
ST-6:	Burlington Stone, Color: Kirby, Finish: Honed
--	--
MTL-1:	Stainless Steel, No. 8 Finish, Almost Mirror Polished
--	--

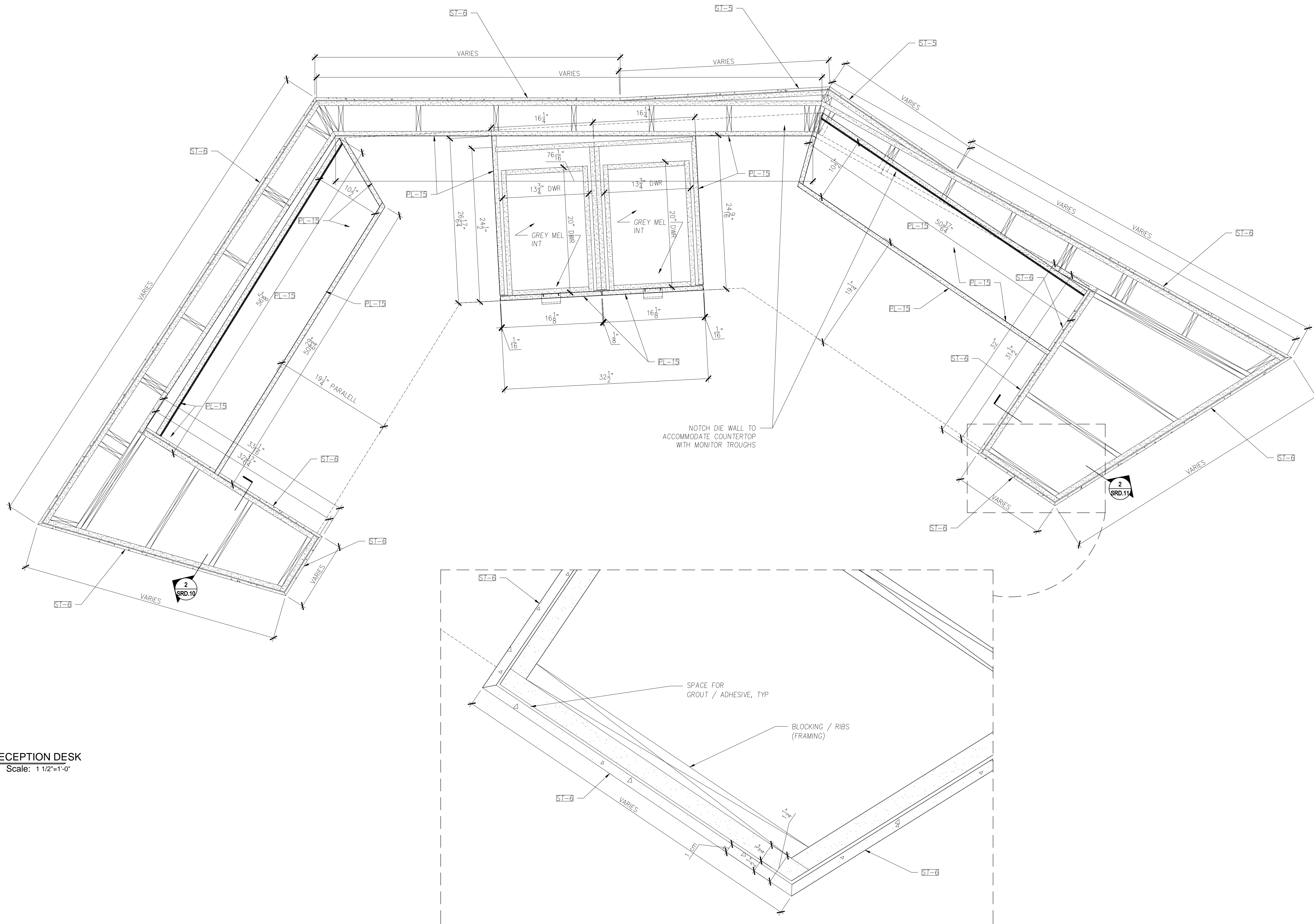


PROJECT:	
TITLE: SATELLITE RECEPTION DESK PLAN VIEW	
ARCHITECT:	
CONTRACTOR:	
PROJECT MANAGER:	DRAWN BY: AKC
SCALE: AS NOTED	DATE DRAWN: 9-30-16
REVISIONS: 10/10/16 PER REDLINES	DATE APPROVED:
--	JOB NO.:
--	SHEET NO.:
SRD.3	



1 PLAN SECTION - RECEPTION DESK  
 Scale: 1 1/2"=1'-0"

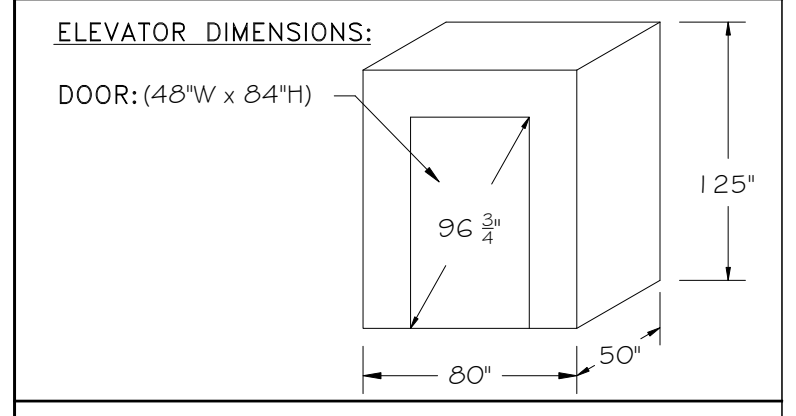
MATERIAL SCHEDULE	
<b>MATERIALS</b>	
Exposed: Per Schedule	
Semi-exposed Surfaces: N/A	
Concealed: Mill Choice	
Toe-Kick: 3/4" Plywood or MDF Finish per Drawing	
Core Material: Sierra Pine, Encore, Particleboard	
---	
<b>EDGEBANDING</b>	
Self-Edge, Laminate or PVC To Match Face	
---	
<b>PROJECT HARDWARE</b>	
Pulls: Epco DP41 3" PA - Polished	
Drawer Slides: Accuride 3832EC Full Ext. Easy Close or EQ.	
---	
<b>FINISHES</b>	
PL-1: Formica - Storm, 912-58, Matte	
---	
FWP-6: 1/4" Cork, Fabric: Knoll, WC1499/2, Film Reel, Starlet	
---	
ST-5: Granite, Color: Misty Black, Finish: Polished	
ST-6: Burlington Stone, Color: Kirby, Finish: Honed	
---	
MTL-1: Stainless Steel, No. 8 Finish, Almost Mirror Polished	
---	
---	
<b>ELEVATOR DIMENSIONS:</b>	
DOOR: (48"W x 84"H)	
PROJECT:	
TITLE: SATellite RECEPTION DESK PLAN SECTION	
ARCHITECT:	
CONTRACTOR:	
PROJECT MANAGER:	DRAWN BY: AKC
SCALE: AS NOTED	DATE DRAWN: 9-30-16
REVISIONS: 10/10/16 PER REDLINES	DATE APPROVED:
---	JOB NO:
SHEET NO: SRD.4	



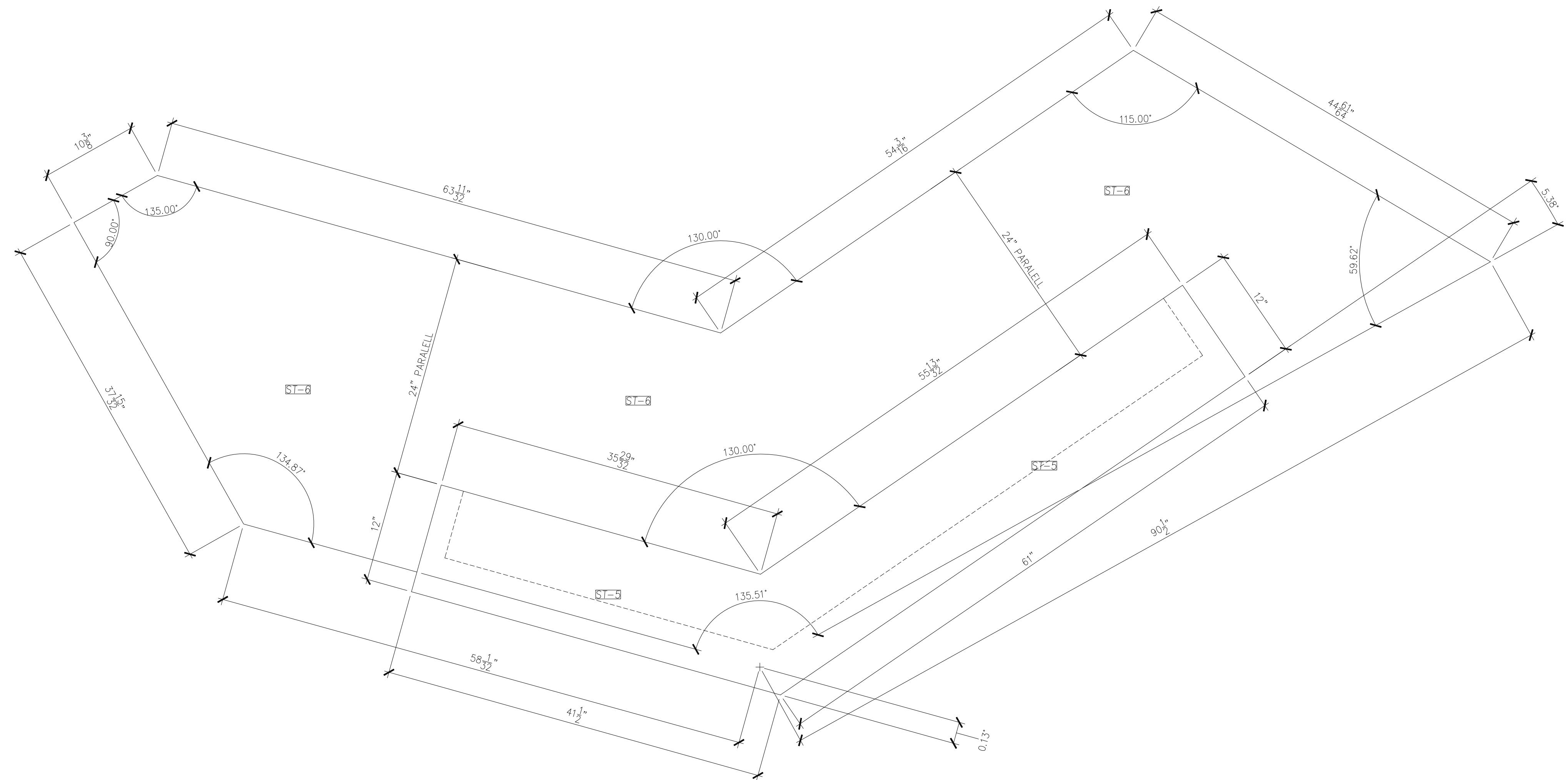
1 PLAN SECTION - RECEPTION DESK  
Scale: 1/16"=1'-0"

**MATERIAL SCHEDULE**

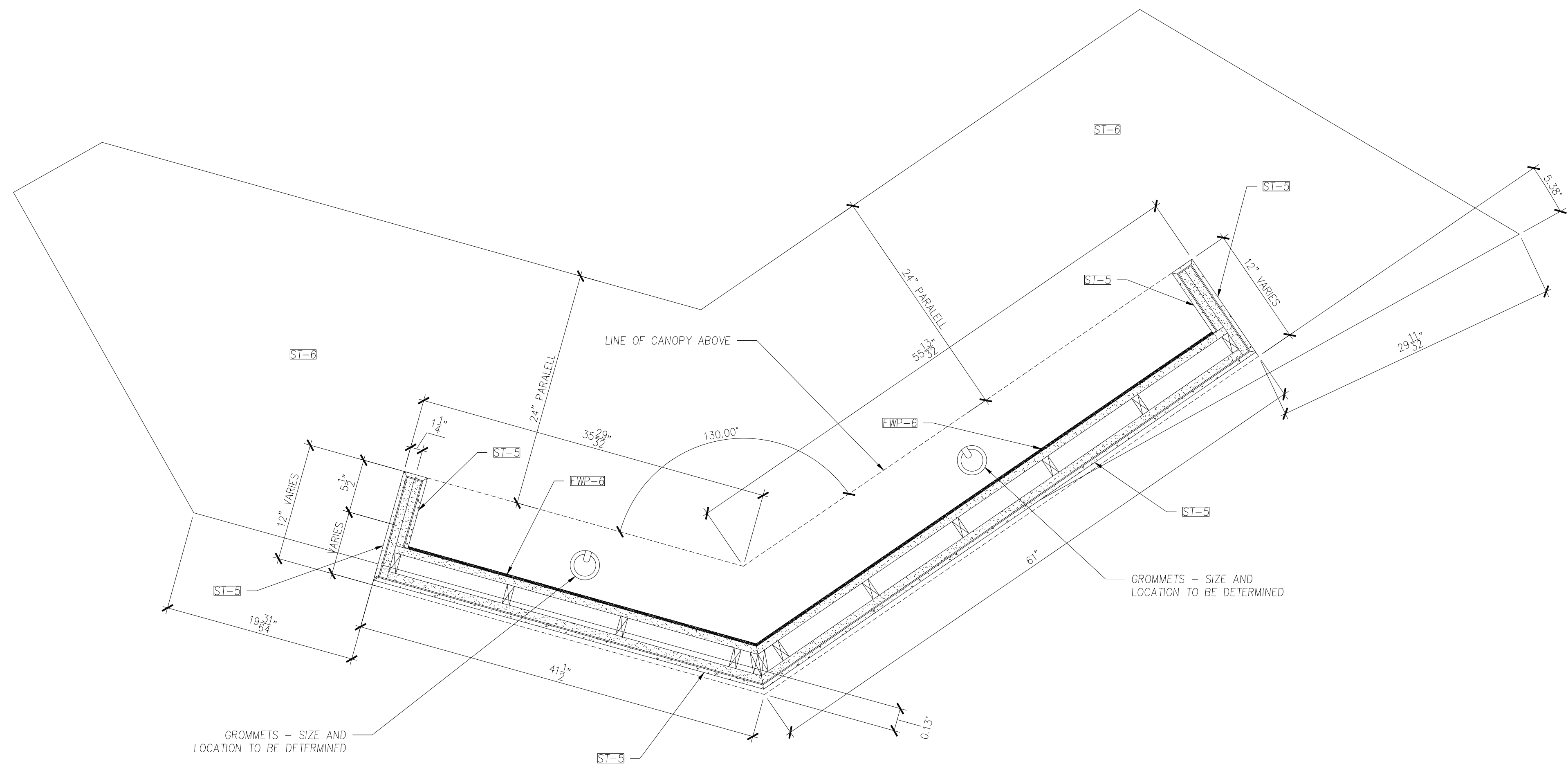
MATERIALS	
Exposed:	Per Schedule
Semi-exposed Surfaces:	N/A
Concealed:	Mill Choice
Toe-Kick:	3/4" Plywood or MDF Finish per Drawing
Core Material:	Sierra Pine, Encore, Particleboard
--	--
EDGEBANDING	
Self-Edge:	Laminate or PVC To Match Face
--	--
PROJECT HARDWARE	
Pulls:	Epco DP41 3" PA - Polished
Drawer Slides:	Accuride 3832EC Full Ext. Easy Close or EQ.
--	--
FINISHES	
PL-1:	Formica - Storm, 912-58, Matte
FWP-6:	1/4" Cork, Fabric: Knoll, WC1499/2, Film Reel, Startlet
ST-5:	Granite, Color: Misty Black, Finish: Polished
ST-6:	Burlington Stone, Color: Kirby, Finish: Honed
MTL-1:	Stainless Steel, No. 8 Finish, Almost Mirror Polished
--	--



PROJECT:	
TITLE: SATELLITE RECEPTION DESK PLAN SECTION	
ARCHITECT:	
CONTRACTOR:	
PROJECT MANAGER:	DRAWN BY: AKC
SCALE: AS NOTED	DATE DRAWN: 9-30-16
REVISIONS: 10/10/16 PER REDLINES	DATE APPROVED:
--	JOB NO.:
--	SHEET NO.:
SRD.5	



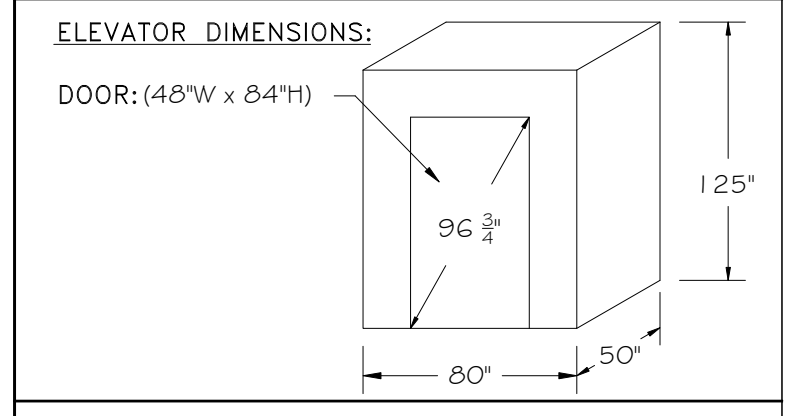
1 PLAN VIEW - RECEPTION DESK  
Scale: 1 1/2"=1'-0"



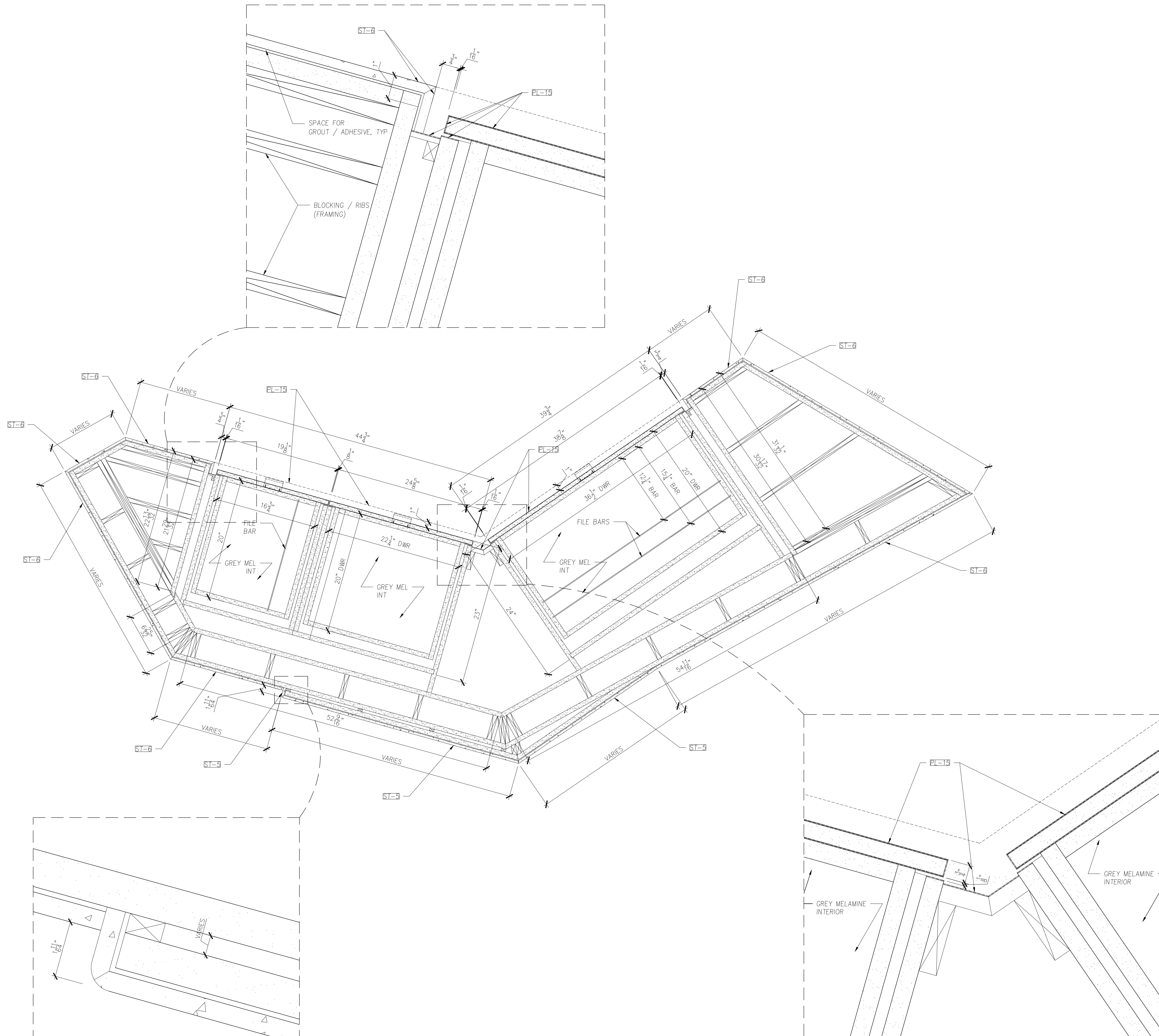
2 PLAN SECTION - RECEPTION DESK  
Scale: 1 1/2"=1'-0"

**MATERIAL SCHEDULE**

MATERIALS	
Exposed:	Per Schedule
Semi-exposed Surfaces:	N/A
Concealed:	Mill Choice
Toe-Kick:	3/4" Plywood or MDF Finish per Drawing
Core Material:	Sierra Pine, Encore, Particleboard
--	--
--	--
EDGE BANDING	
Self-Edge:	Laminate or PVC To Match Face
--	--
--	--
PROJECT HARDWARE	
Pulls:	Epco DP41 3" PA - Polished
Drawer Slides:	Accuride 3832EC Full Ext. Easy Close or EQ.
--	--
--	--
--	--
--	--
--	--
--	--
--	--
--	--
FINISHES	
PL-1:	Formica - Storm, 912-58, Matte
--	--
FWP-6:	1/4" Cork, Fabric: Knoll, WC1499/2, Film Reel, Startlet
--	--
ST-5:	Granite, Color: Misty Black, Finish: Polished
ST-6:	Burlington Stone, Color: Kirby, Finish: Honed
--	--
MTL-1:	Stainless Steel, No. 8 Finish, Almost Mirror Polished
--	--
--	--
--	--
--	--



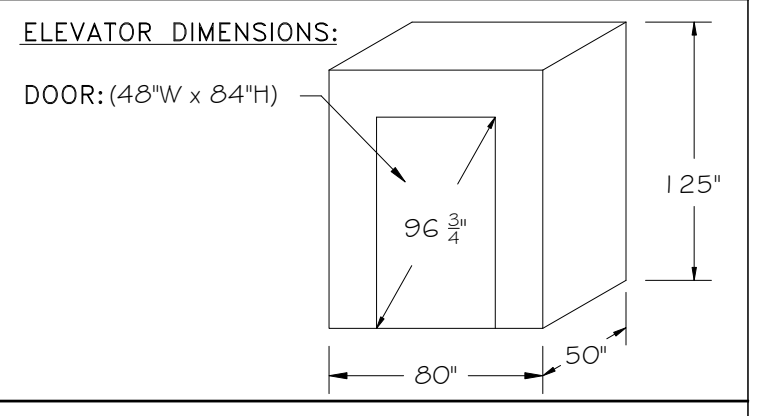
PROJECT:	
TITLE: SATELLITE RECEPTION DESK PLAN VIEW / SECTION	
ARCHITECT:	
CONTRACTOR:	
PROJECT MANAGER:	DRAWN BY: AKC
SCALE: AS NOTED	DATE DRAWN: 9-30-16
REVISIONS: 10/10/16 PER REDLINES	DATE APPROVED:
--	JOB NO.:
--	SHEET NO.:
SRD.6	



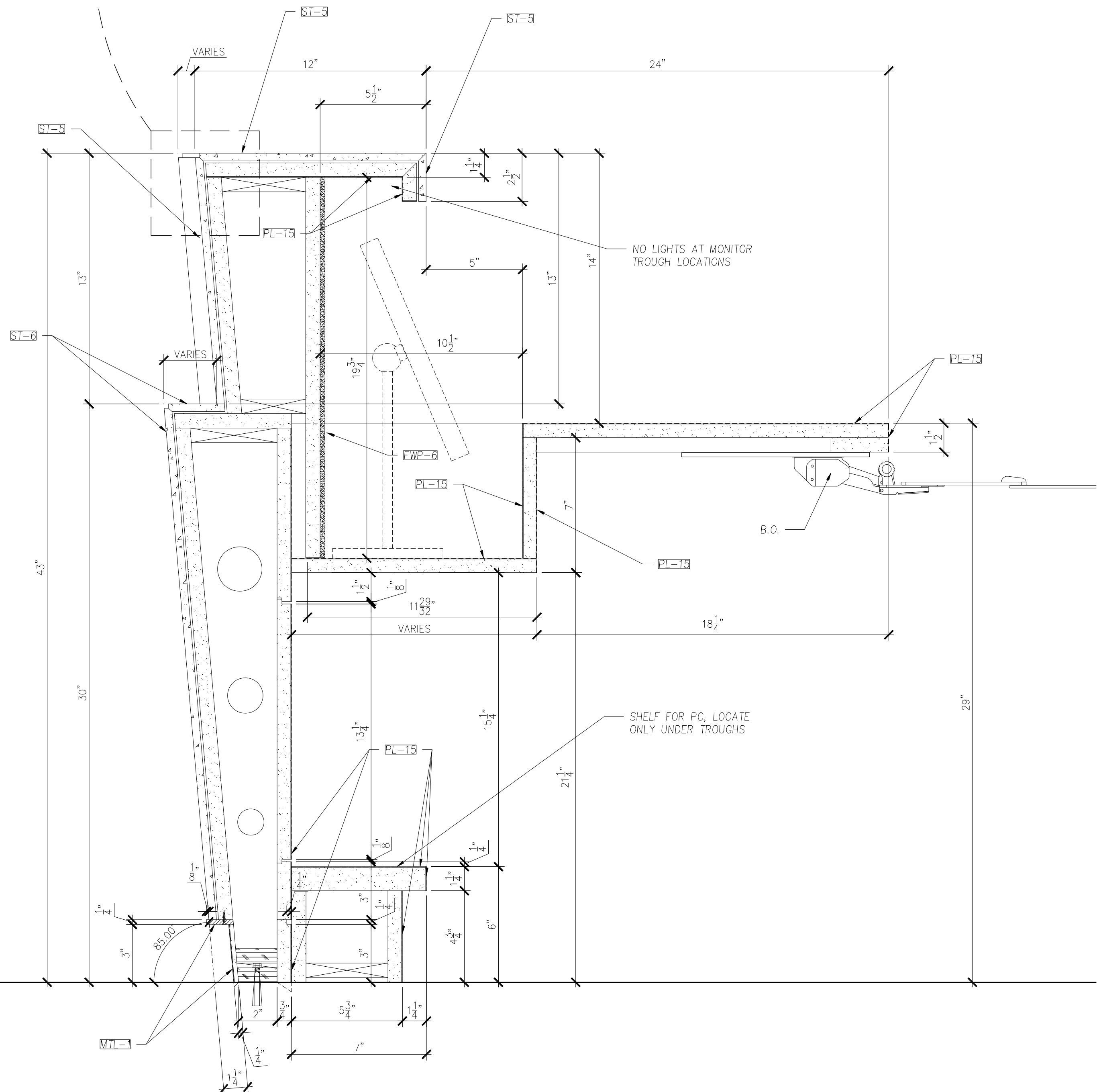
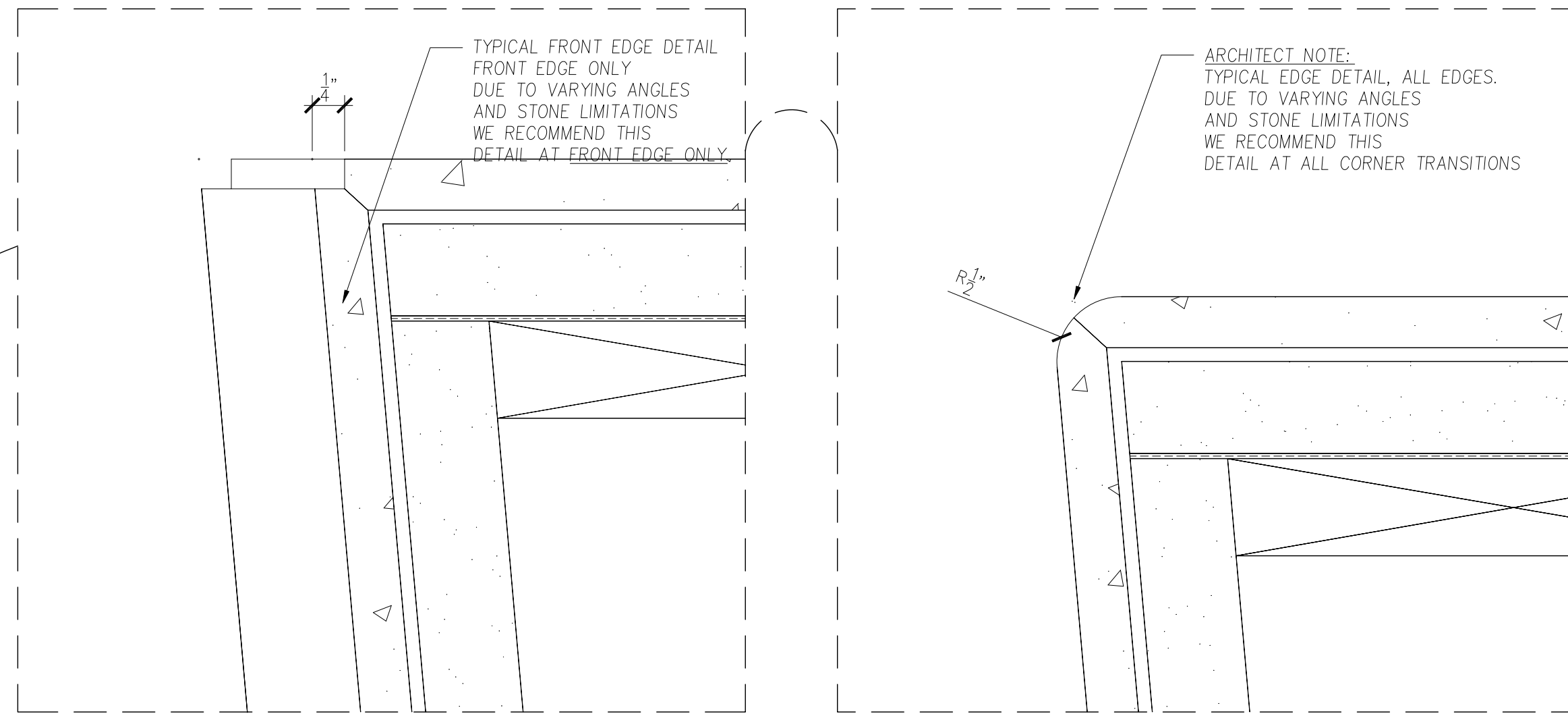
1 PLAN SECTION - RECEPTION DESK  
Scale: 1 1/2"=1'-0"

**MATERIAL SCHEDULE**

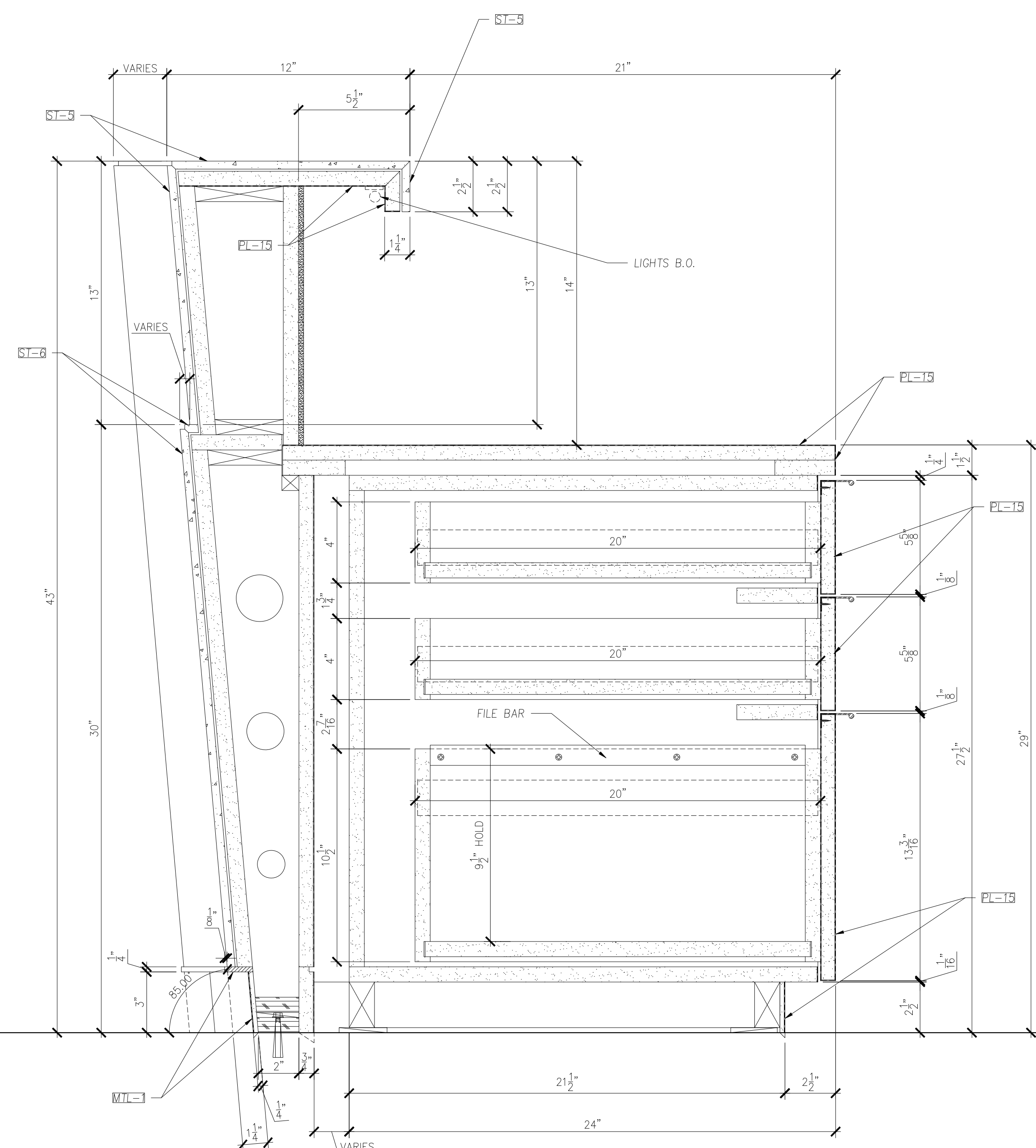
MATERIALS	
Exposed:	Per Schedule
Semi-exposed Surfaces:	N/A
Concealed:	Mill Choice
Toe-Kick:	3/4" Plywood or MDF Finish per Drawing
Core Material:	Sierra Pine, Encore, Particleboard
--	--
EDGEBANDING	
Self-Edge:	Laminate or PVC To Match Face
--	--
PROJECT HARDWARE	
Pulls:	Epco DP41 3" PA - Polished
Drawer Slides:	Accuride 3832EC Full Ext. Easy Close or EQ.
--	--
FINISHES	
PL-1:	Formica - Storm, 912-58, Matte
--	--
FWP-6:	1/4" Cork, Fabric: Knoll, WC1499/2, Film Reel, Startel
--	--
ST-5:	Granite, Color: Misty Black, Finish: Polished
ST-6:	Burlington Stone, Color: Kirby, Finish: Honed
--	--
MTL-1:	Stainless Steel, No. 8 Finish, Almost Mirror Polished
--	--



PROJECT:	
TITLE: SATELLITE RECEPTION DESK PLAN SECTION	
ARCHITECT:	
CONTRACTOR:	
PROJECT MANAGER:	DRAWN BY: AKC
SCALE: AS NOTED	DATE DRAWN: 9-30-16
REVISIONS: 10/10/16 PER REDLINES	DATE APPROVED:
--	JOB NO.:
	SHEET NO.:
	SRD.7



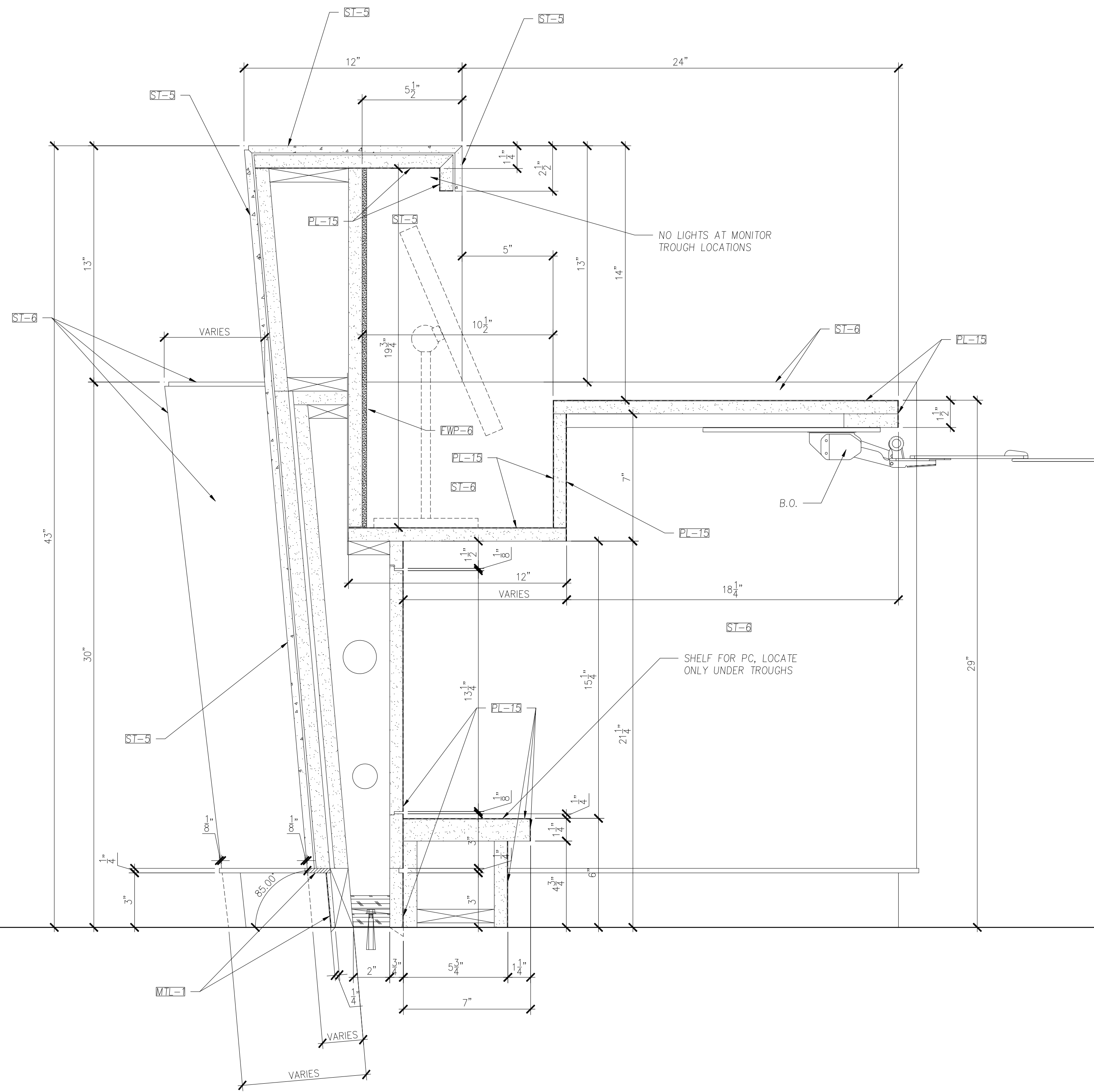
1 SECTION - RECEPTION DESK  
Scale: 3/8"=1'-0"



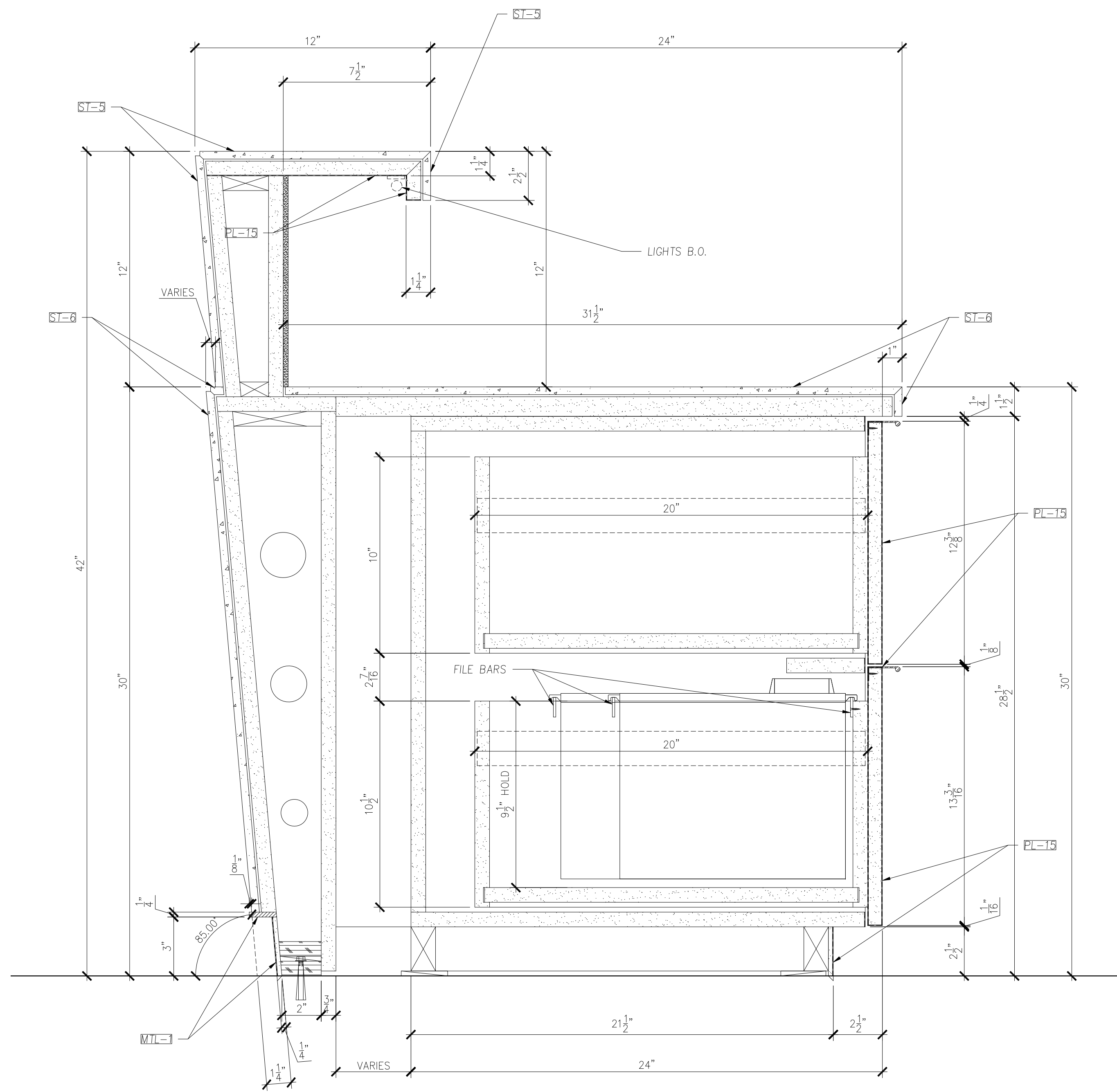
2 SECTION - RECEPTION DESK  
Scale: 3/8"=1'-0"

MATERIAL SCHEDULE	
<b>MATERIALS</b>	
Exposed: Per Schedule	
Semi-exposed Surfaces: N/A	
Concealed: Mill Choice	
Toe-Kick: 3/4" Plywood or MDF Finish per Drawing	
Core Material: Sierra Pine, Encore, Particleboard	
---	
<b>EDGEBANDING</b>	
Self-Edge, Laminate or PVC To Match Face	
---	
<b>PROJECT HARDWARE</b>	
Pulls: Epco DP41 3" PA - Polished	
Drawer Slides: Accuride 3832EC Full Ext. Easy Close or EQ.	
---	
<b>FINISHES</b>	
PL-1: Formica - Storm, 912-58, Matte	
FWP-6: 1/4" Cork, Fabric: Knoll, WC1499/2, Film Reel, Startel	
ST-5: Granite, Color: Misty Black, Finish: Polished	
ST-6: Burlington Stone, Color: Kirby, Finish: Honed	
MTL-1: Stainless Steel, No. 8 Finish, Almost Mirror Polished	
---	
<b>ELEVATOR DIMENSIONS:</b>	
DOOR: (48"W x 84"H)	
PROJECT:	
TITLE: SATELLITE RECEPTION DESK SECTIONS	
ARCHITECT:	
CONTRACTOR:	
PROJECT MANAGER:	DRAWN BY: AKC
SCALE: AS NOTED	DATE DRAWN: 9-30-16
REVISIONS: 10/10/16 PER REDLINES	DATE APPROVED:
---	JOB NO.:
SHEET NO. SRD.8	





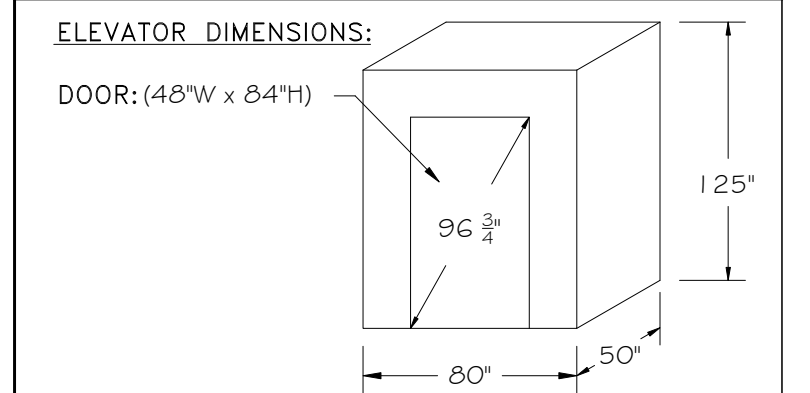
1 SECTION - RECEPTION DESK  
Scale: 3/8"=1'-0"



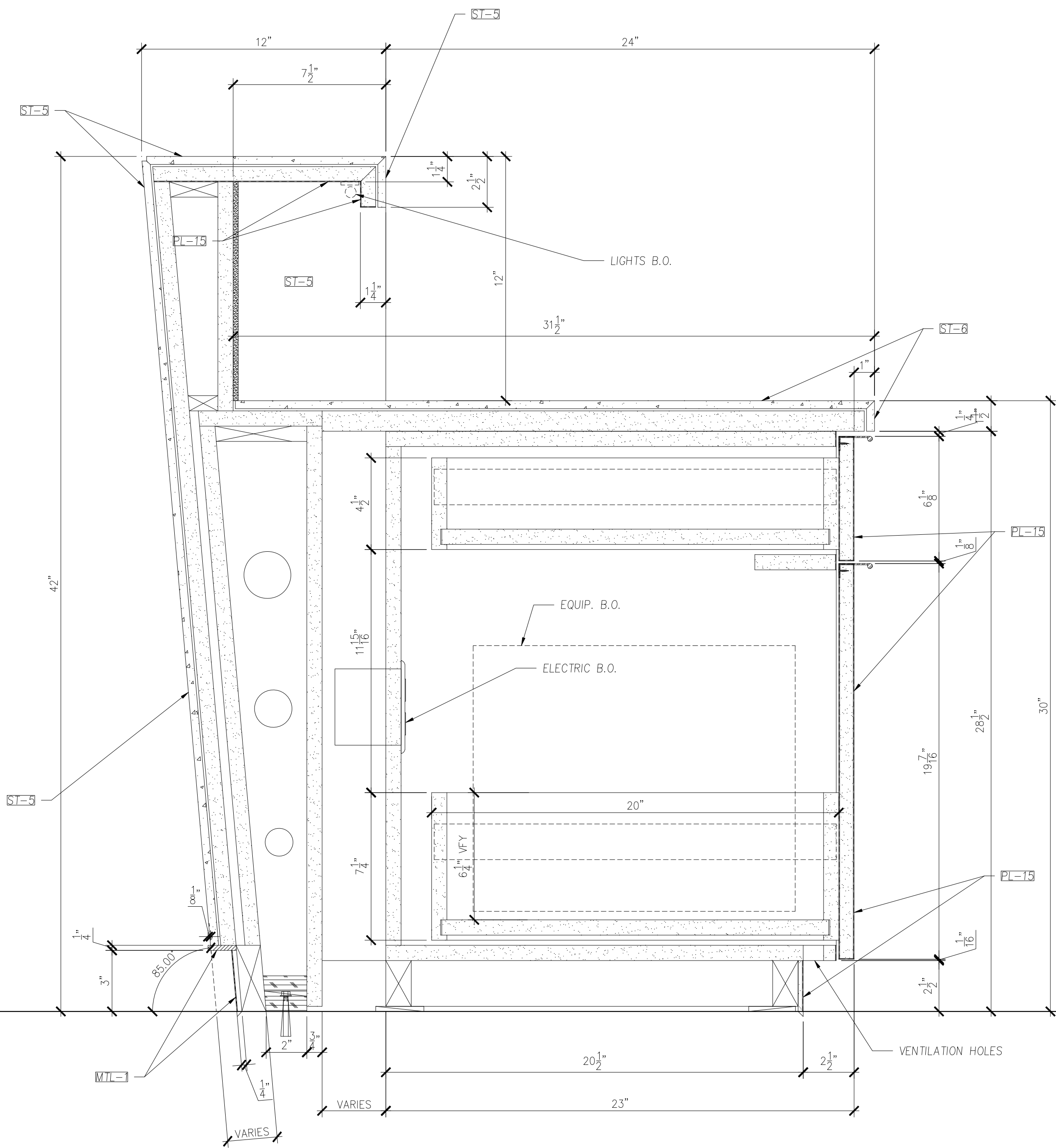
2 SECTION - RECEPTION DESK  
Scale: 3/8"=1'-0"

**MATERIAL SCHEDULE**

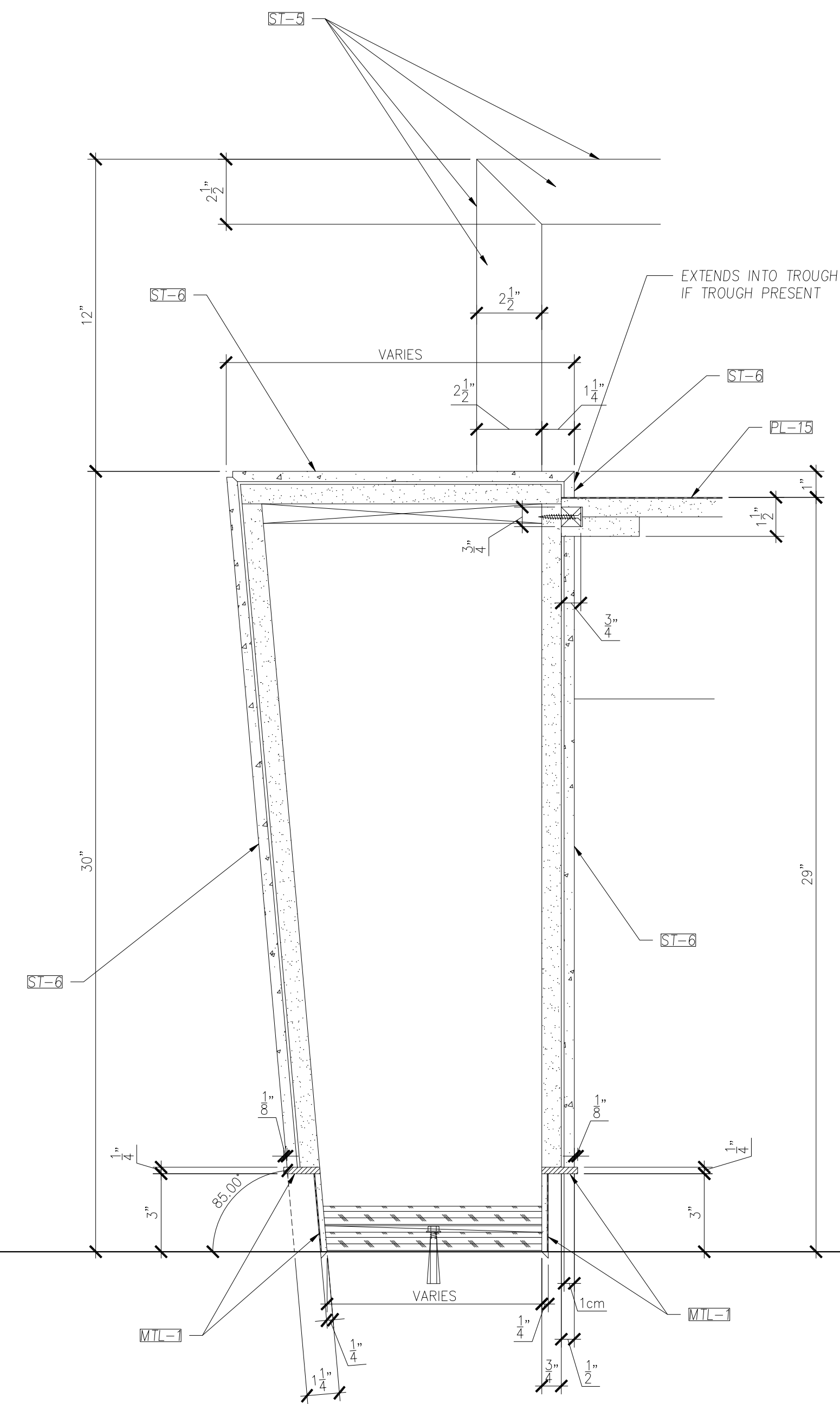
MATERIALS	
Exposed:	Per Schedule
Semi-exposed Surfaces:	N/A
Concealed:	Mill Choice
Toe-Kick:	3/4" Plywood or MDF Finish per Drawing
Core Material:	Sierra Pine, Encore, Particleboard
--	--
EDGE BANDING	
Self-Edge:	Laminate or PVC To Match Face
--	--
PROJECT HARDWARE	
Pulls:	Epco DP41 3" PA - Polished
Drawer Slides:	Accuride 3832EC Full Ext. Easy Close or EQ.
--	--
FINISHES	
PL-1:	Formica - Storm, 912-58, Matte
FWP-6:	1/4" Cork, Fabric: Knoll, WC1499/2, Film Reel, Startel
ST-5:	Granite, Color: Misty Black, Finish: Polished
ST-6:	Burlington Stone, Color: Kirby, Finish: Honed
MTL-1:	Stainless Steel, No. 8 Finish, Almost Mirror Polished
--	--



PROJECT:	
TITLE: SATELLITE RECEPTION DESK SECTIONS	
ARCHITECT:	
CONTRACTOR:	
PROJECT MANAGER:	DRAWN BY: AKC
SCALE: AS NOTED	DATE DRAWN: 9-30-16
REVISIONS: 10/10/16 PER REDLINES	DATE APPROVED:
--	JOB NO.:
--	SHEET NO.:
SRD.9	



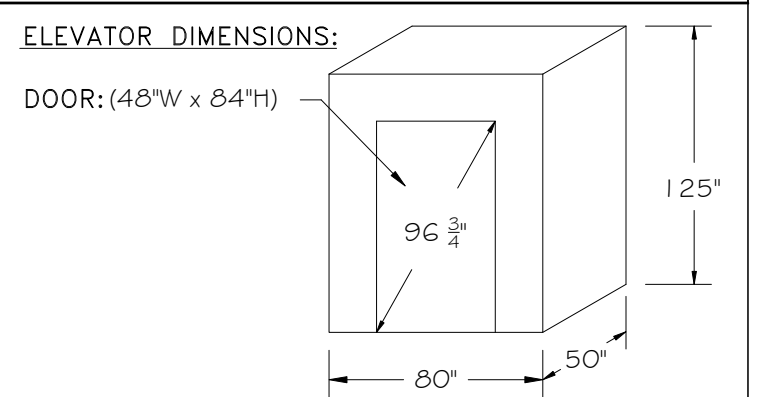
**1** SECTION - RECEPTION DESK  
Scale: 3"=1'-0"



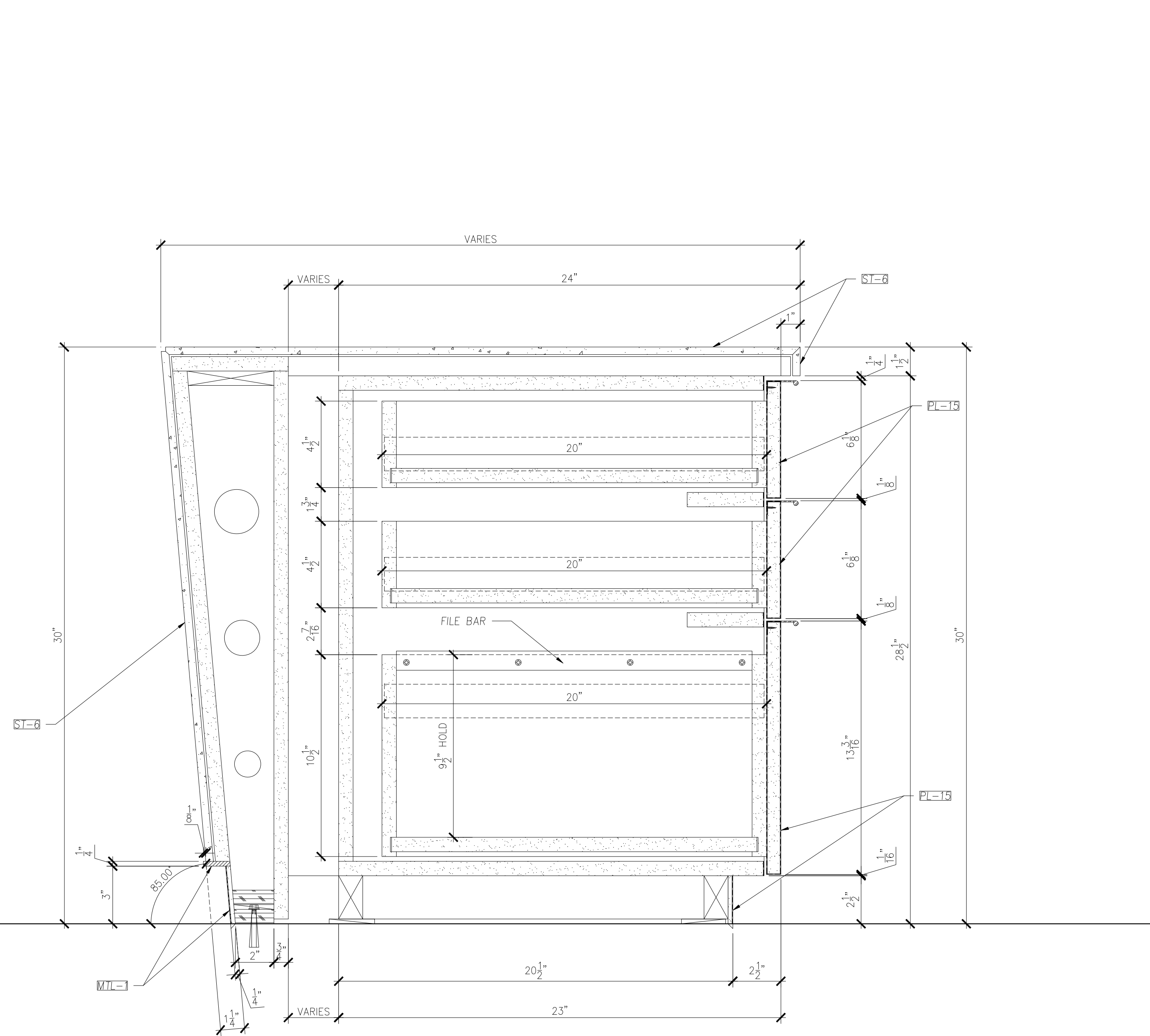
**2** SECTION - RECEPTION DESK  
Scale: 3"=1'-0"

**MATERIAL SCHEDULE**

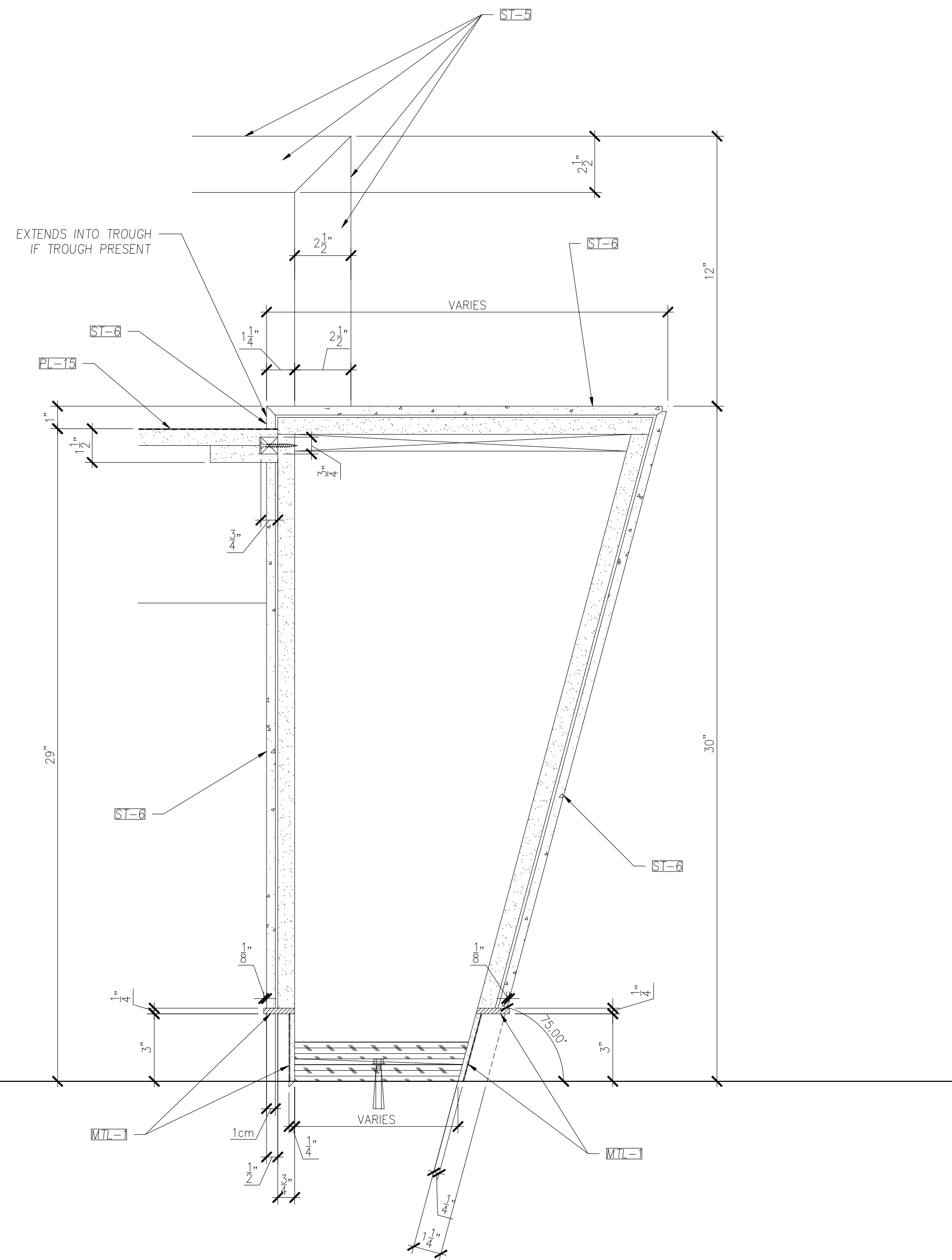
MATERIALS	
Exposed:	Per Schedule
Semi-exposed Surfaces:	N/A
Concealed:	Mill Choice
Toe-Kick:	3/4" Plywood or MDF Finish per Drawing
Core Material:	Sierra Pine, Encore, Particleboard
--	--
EDGEBANDING	
Self-Edge:	Laminate or PVC To Match Face
--	--
PROJECT HARDWARE	
Pulls:	Epco DP41 3" PA - Polished
Drawer Slides:	Accuride 3832EC Full Ext. Easy Close or EQ.
--	--
FINISHES	
PL-1:	Formica - Storm, 912-58, Matte
--	--
FWP-6:	1/4" Cork Fabric: Knoll, WC1499/2, Film Reel, Startel
--	--
ST-5:	Granite, Color: Misty Black, Finish: Polished
ST-6:	Burlington Stone, Color: Kirby, Finish: Honed
--	--
MTL-1:	Stainless Steel, No. 8 Finish, Almost Mirror Polished
--	--



PROJECT:	
TITLE: SATELLITE RECEPTION DESK SECTIONS	
ARCHITECT:	
CONTRACTOR:	
PROJECT MANAGER:	DRAWN BY: AKC
SCALE: AS NOTED	DATE DRAWN: 9-30-16
REVISIONS: 10/10/16 PER REDLINES	DATE APPROVED:
--	JOB NO.:
--	SHEET NO.:
SRD.10	



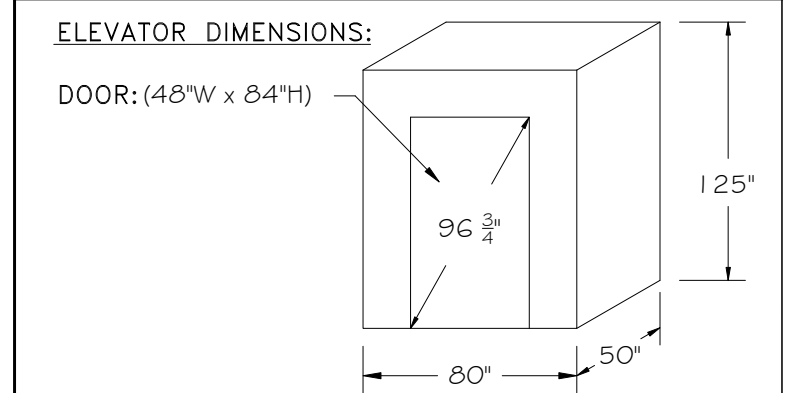
**1** SECTION - RECEPTION DESK  
Scale: 3/8"=1'-0"



**2** SECTION - RECEPTION DESK  
Scale: 3/8"=1'-0"

**MATERIAL SCHEDULE**

MATERIALS	
Exposed:	Per Schedule
Semi-exposed Surfaces:	N/A
Concealed:	Mill Choice
Toe-Kick:	3/4" Plywood or MDF Finish per Drawing
Core Material:	Sierra Pine, Encore, Particleboard
--	--
EDGE BANDING	
Self-Edge:	Laminate or PVC To Match Face
--	--
PROJECT HARDWARE	
Pulls:	Epco DP41 3" PA - Polished
Drawer Slides:	Accuride 3832EC Full Ext. Easy Close or EQ.
--	--
FINISHES	
PL-1:	Formica - Storm, 912-58, Matte
FWP-6:	1/4" Cork Fabric: Knoll, WC1499/2, Film Reel, Startel
ST-5:	Granite, Color: Misty Black, Finish: Polished
ST-6:	Burlington Stone, Color: Kirby, Finish: Honed
MTL-1:	Stainless Steel, No. 8 Finish, Almost Mirror Polished
--	--



PROJECT:

TITLE:  
SATELLITE RECEPTION DESK  
SECTIONS

ARCHITECT:

CONTRACTOR:

PROJECT MANAGER: DRAWN BY:  
AKC

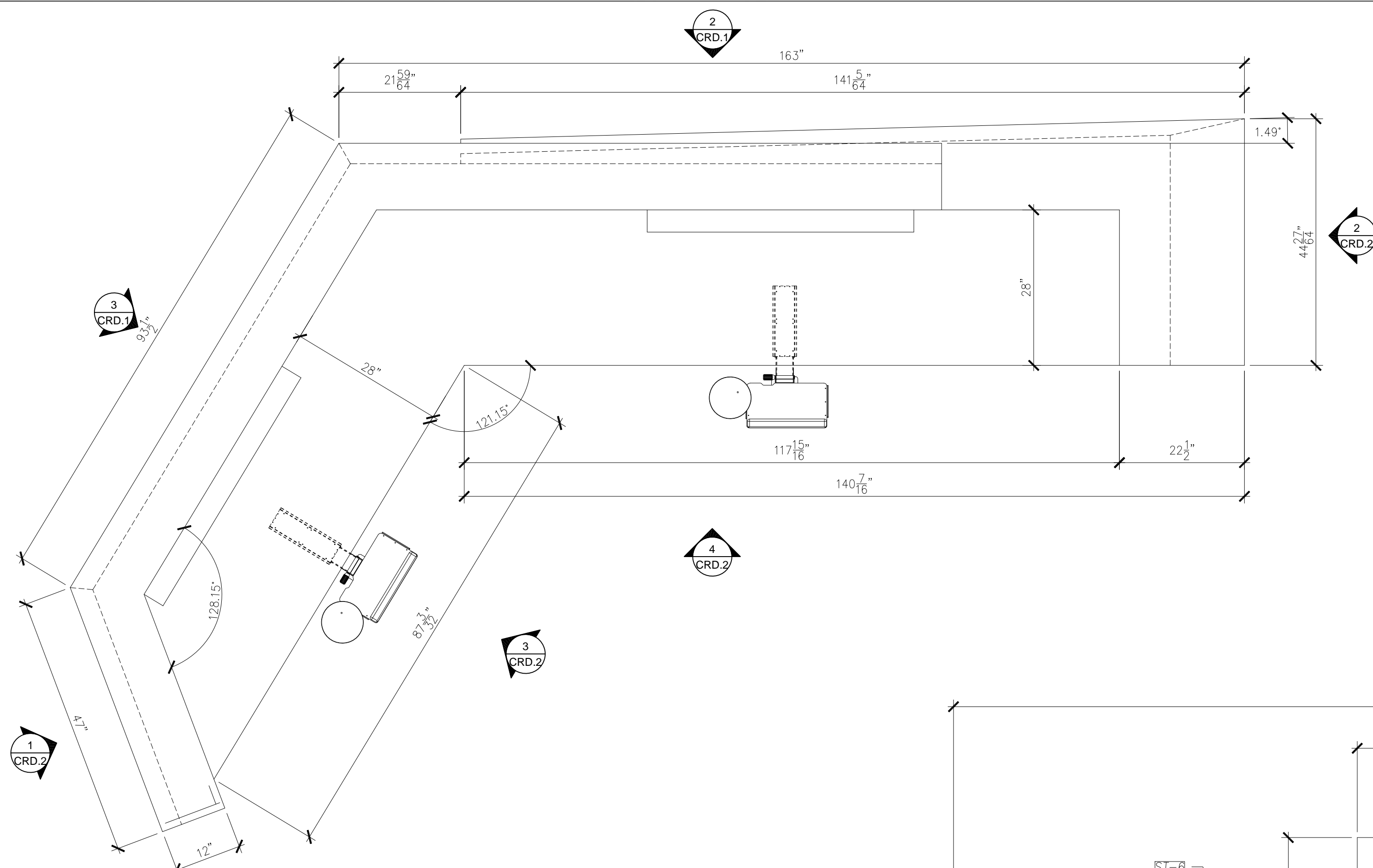
SCALE: DATE DRAWN:  
AS NOTED 9-30-16

REVISIONS: DATE APPROVED:  
10/10/16 PER REDLINES

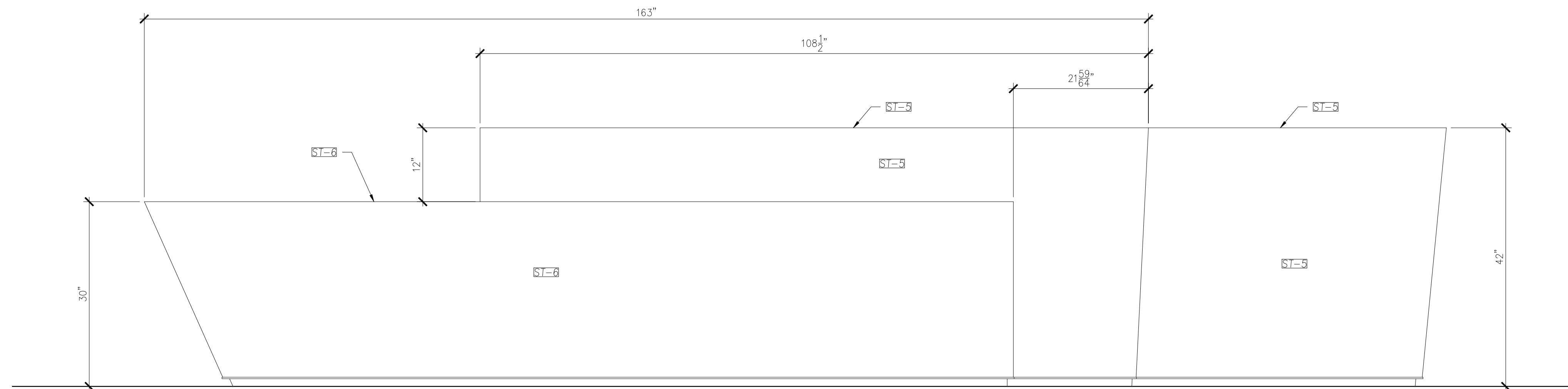
JOB NO:

SHEET NO:

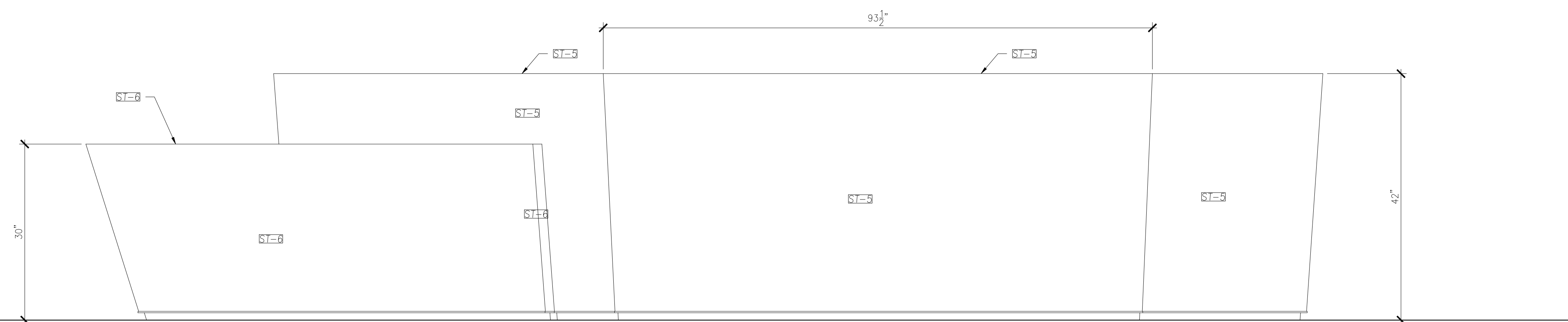
SRD.11



1 LOCATION PLAN - CONFERENCE RECEPTION DESK  
Scale: 3/4"=1'-0"



2 ELEVATION - RECEPTION DESK  
Scale: 1"=1'-0"

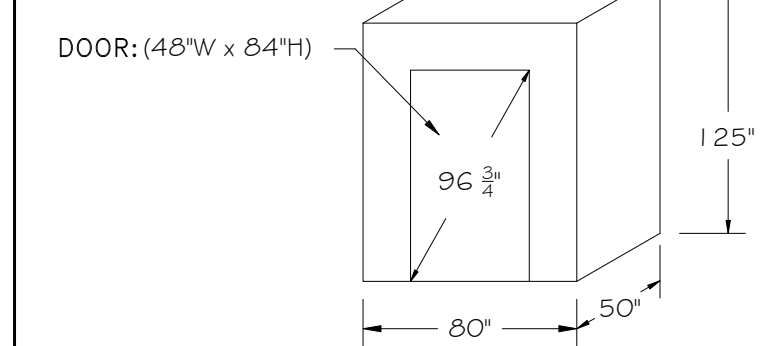


3 ELEVATION - RECEPTION DESK  
Scale: 1"=1'-0"

**MATERIAL SCHEDULE**

MATERIALS	
Exposed:	Per Schedule
Semi-exposed Surfaces:	N/A
Concealed:	Mill Choice
Toe-Kick:	3/4" Plywood or MDF Finish per Drawing
Core Material:	Sierra Pine, Encore, Particleboard
--	--
EDGE BANDING	
Self-Edge:	Laminate or PVC To Match Face
--	--
PROJECT HARDWARE	
Pulls:	Epco DP41 3" PA - Polished
Drawer Slides:	Accuride 3832EC Full Ext. Easy Close or EQ.
--	--
FINISHES	
PL-1:	Formica - Storm, 912-58, Matte
--	--
FWP-6:	1/4" Cork, Fabric: Knoll, WC1499/2, Film Reel, Startel
--	--
ST-5:	Granite, Color: Misty Black, Finish: Polished
ST-6:	Burlington Stone, Color: Kirby, Finish: Honed
--	--
MTL-1:	Stainless Steel, No. 8 Finish, Almost Mirror Polished
--	--

ELEVATOR DIMENSIONS:



PROJECT:

TITLE:  
CONFERENCE RECEPTION DESK  
FLOOR PLAN / ELEVATIONS

ARCHITECT:

CONTRACTOR:

PROJECT MANAGER:	DRAWN BY: AKC
------------------	------------------

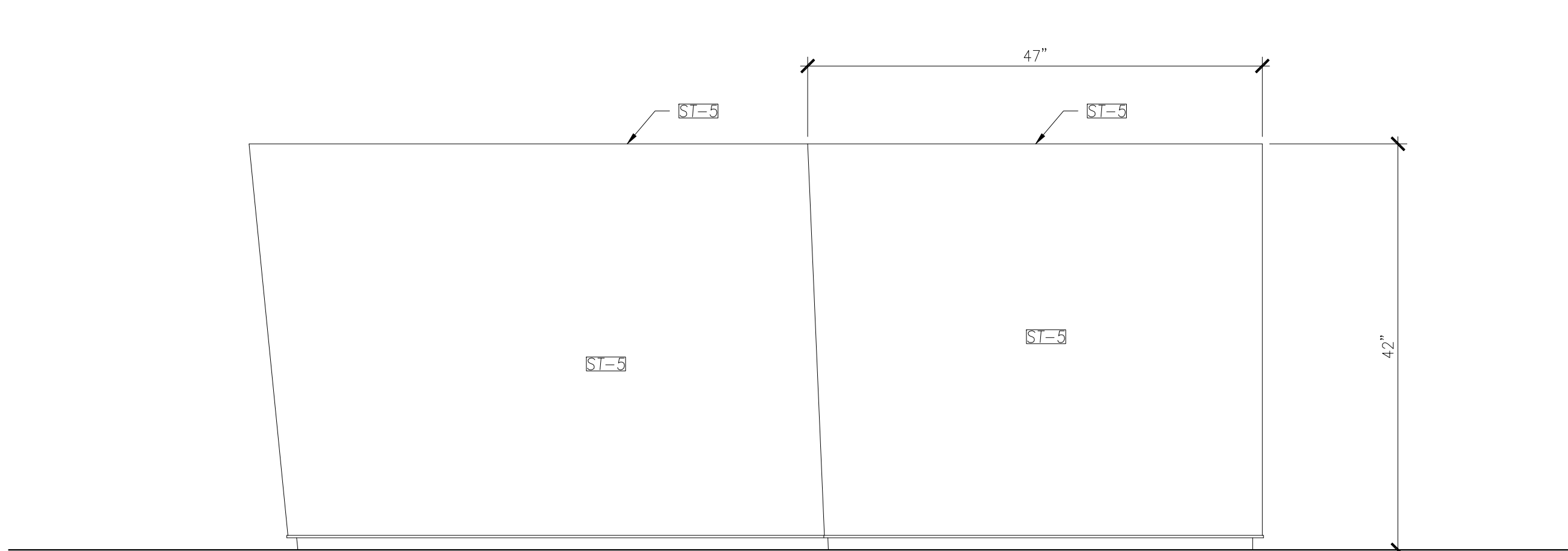
SCALE: AS NOTED	DATE DRAWN: 9-30-16
--------------------	------------------------

REVISIONS: 10/10/16 PER REDLINES	DATE APPROVED:
-------------------------------------	----------------

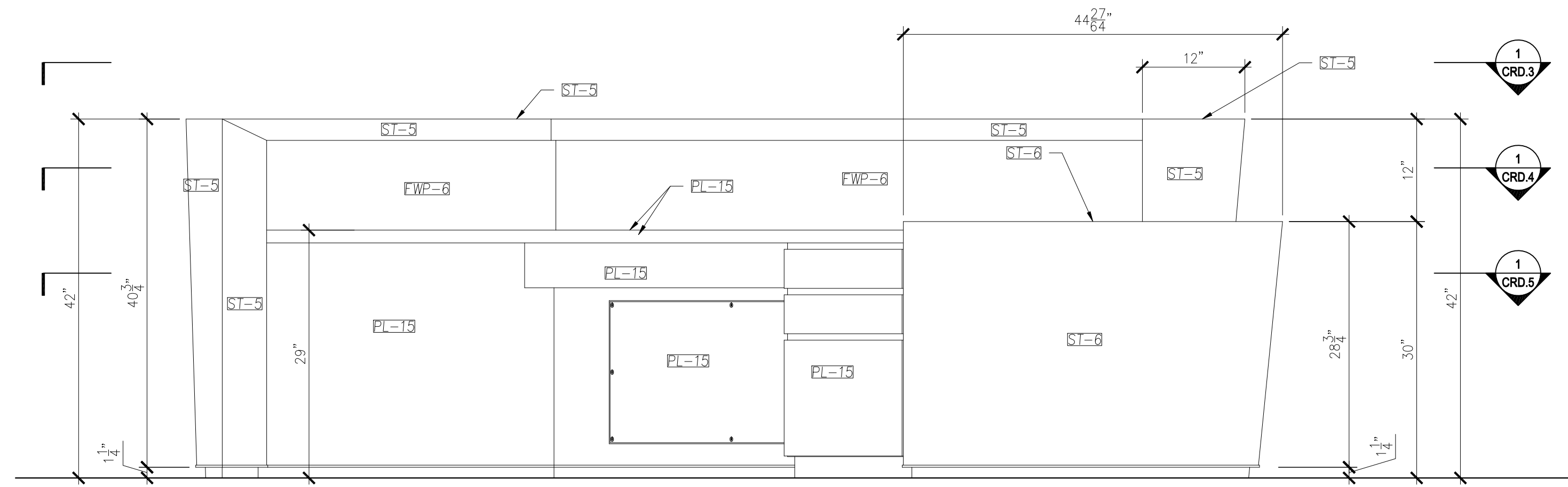
JOB NO.:
----------

SHEET NO.:
------------

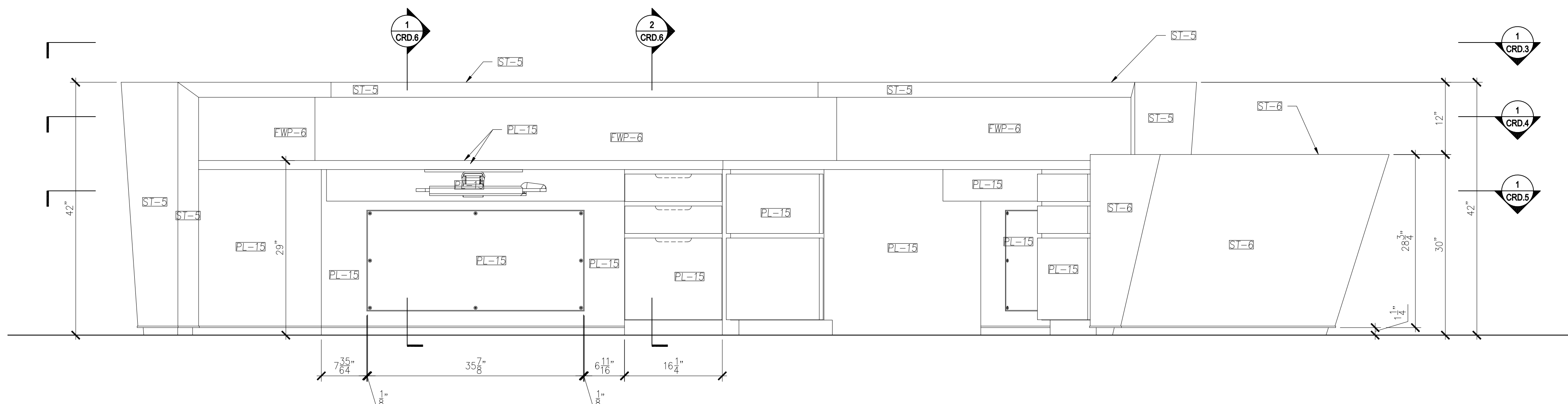
CRD.1



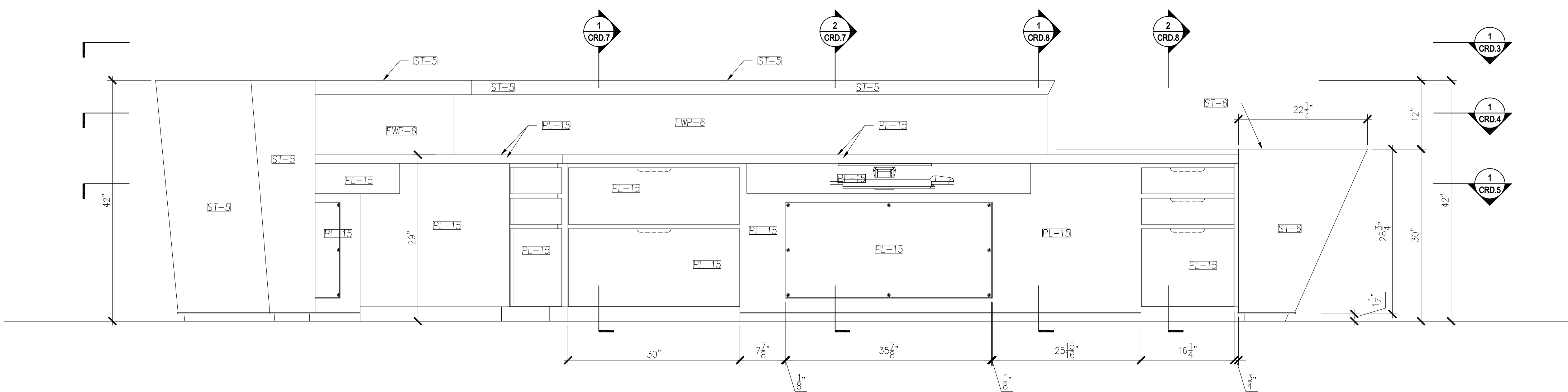
1 ELEVATION - RECEPTION DESK  
Scale: 1"=1'-0"



2 ELEVATION - RECEPTION DESK  
Scale: 1"=1'-0"



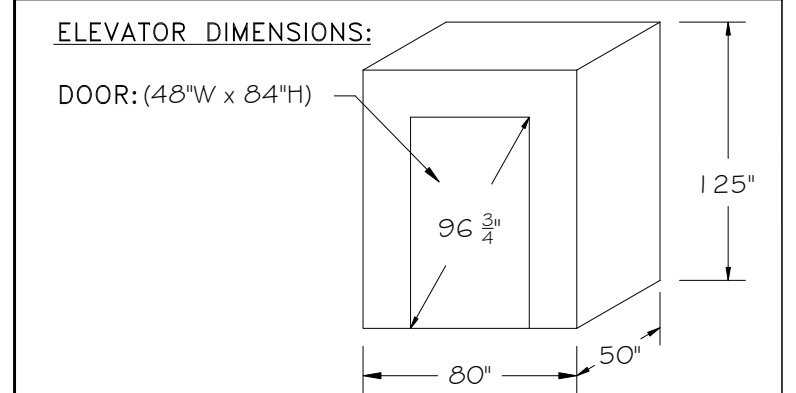
3 ELEVATION - RECEPTION DESK  
Scale: 1"=1'-0"



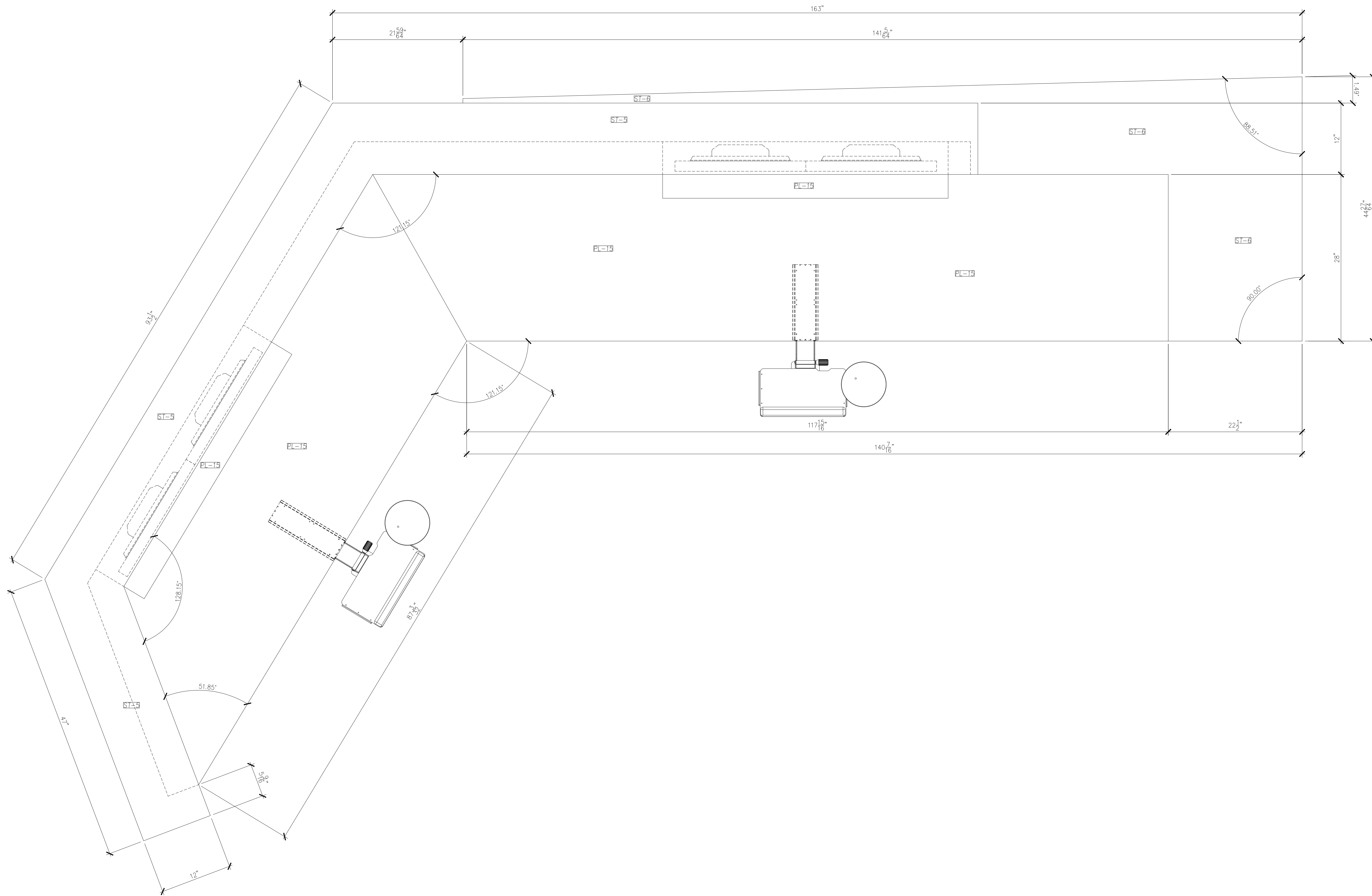
4 ELEVATION - RECEPTION DESK  
Scale: 1"=1'-0"

**MATERIAL SCHEDULE**

MATERIALS	
Exposed:	Per Schedule
Semi-exposed Surfaces:	N/A
Concealed:	Mill Choice
Toe-Kick:	3/4" Plywood or MDF Finish per Drawing
Core Material:	Sierra Pine, Encore, Particleboard
--	
--	
EDGE BANDING	
Self-Edge:	Laminate or PVC To Match Face
--	
--	
PROJECT HARDWARE	
Pulls:	Epco DP41 3" PA - Polished
Drawer Slides:	Accuride 3832EC Full Ext. Easy Close or EQ.
--	
--	
--	
--	
--	
--	
--	
--	
--	
FINISHES	
PL-1:	Formica - Storm, 912-58, Matte
--	
FWP-6:	1/4" Cork, Fabric: Knoll, WC1499/2, Film Reel, Startlet
--	
ST-5:	Granite, Color: Misty Black, Finish: Polished
ST-6:	Burlington Stone, Color: Kirby, Finish: Honed
--	
MTL-1:	Stainless Steel, No. 8 Finish, Almost Mirror Polished
--	
--	
--	

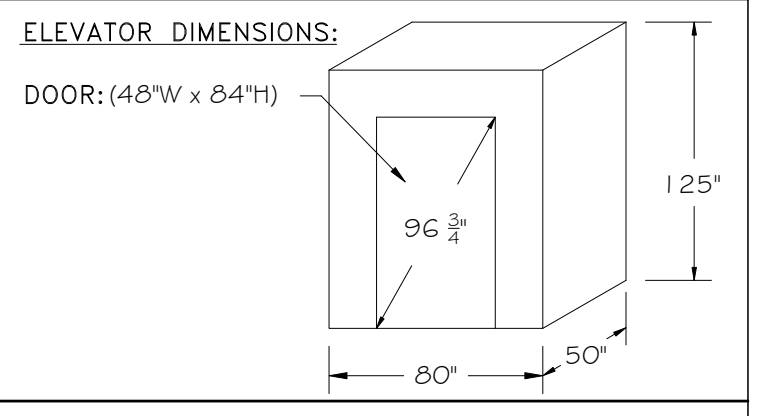


PROJECT:	
TITLE: CONFERENCE RECEPTION DESK ELEVATIONS	
ARCHITECT:	
CONTRACTOR:	
PROJECT MANAGER:	DRAWN BY: AKC
SCALE: AS NOTED	DATE DRAWN: 9-30-16
REVISIONS: 10/10/16 PER REDLINES	DATE APPROVED:
--	JOB NO.:
--	SHEET NO.:
CRD.2	



**MATERIAL SCHEDULE**

MATERIALS	
Exposed:	Per Schedule
Semi-exposed Surfaces:	N/A
Concealed:	Mill Choice
Toe-Kick:	3/4" Plywood or MDF Finish per Drawing
Core Material:	Sierra Pine, Encore, Particleboard
--	--
EDGE BANDING	
Self-Edge:	Laminate or PVC To Match Face
--	--
PROJECT HARDWARE	
Pulls:	Epco DP41 3" PA - Polished
Drawer Slides:	Accuride 3832EC Full Ext. Easy Close or EQ.
--	--
FINISHES	
PL-1:	Formica - Storm, 912-58, Matte
--	--
FWP-6:	1/4" Cork, Fabric: Knoll, WC1499/2, Film Reel, Startlet
--	--
ST-5:	Granite, Color: Misty Black, Finish: Polished
ST-6:	Burlington Stone, Color: Kirby, Finish: Honed
--	--
MTL-1:	Stainless Steel, No. 8 Finish, Almost Mirror Polished
--	--



PROJECT:

TITLE:  
SATELLITE RECEPTION DESK  
PLAN VIEW

ARCHITECT:

CONTRACTOR:

PROJECT MANAGER:	DRAWN BY: AKC
------------------	------------------

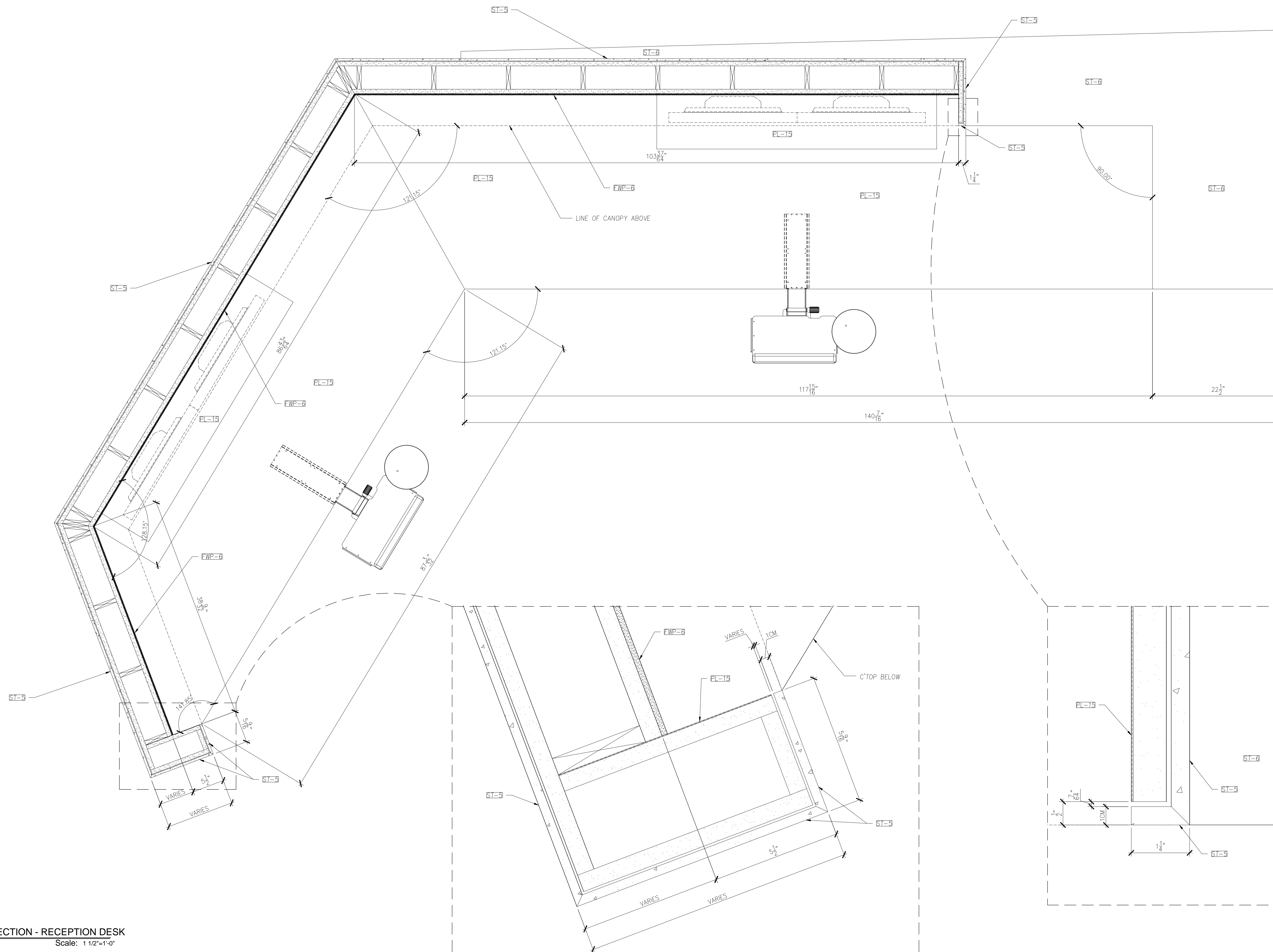
SCALE: AS NOTED	DATE DRAWN: 9-30-16
--------------------	------------------------

REVISIONS: 10/10/16 PER REDLINES	DATE APPROVED:
-------------------------------------	----------------

JOB NO.:
----------

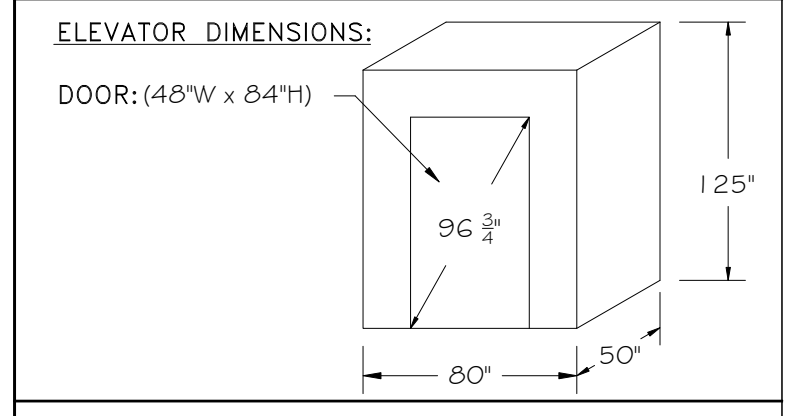
SHEET NO.:
------------

CRD.3



**MATERIAL SCHEDULE**

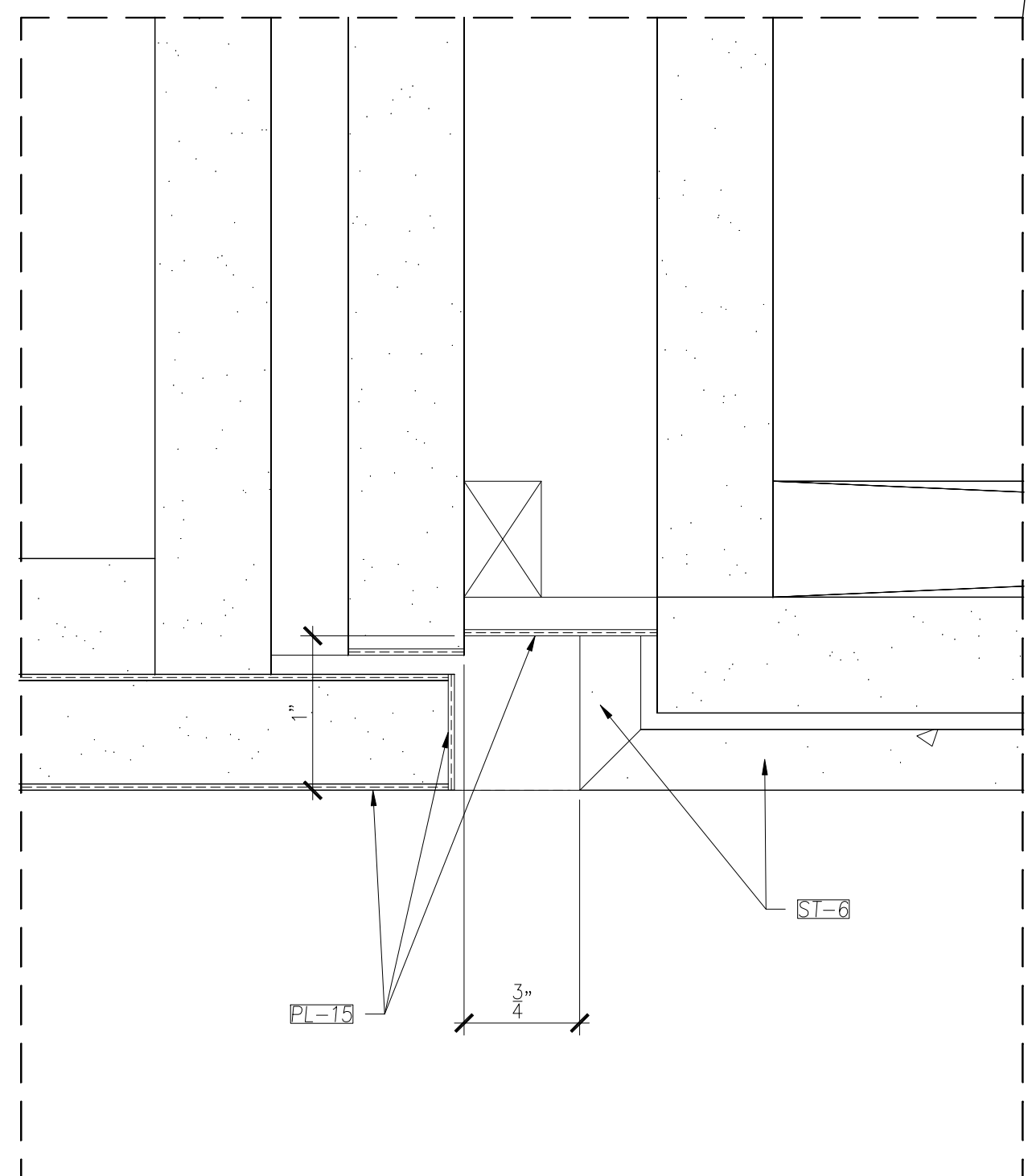
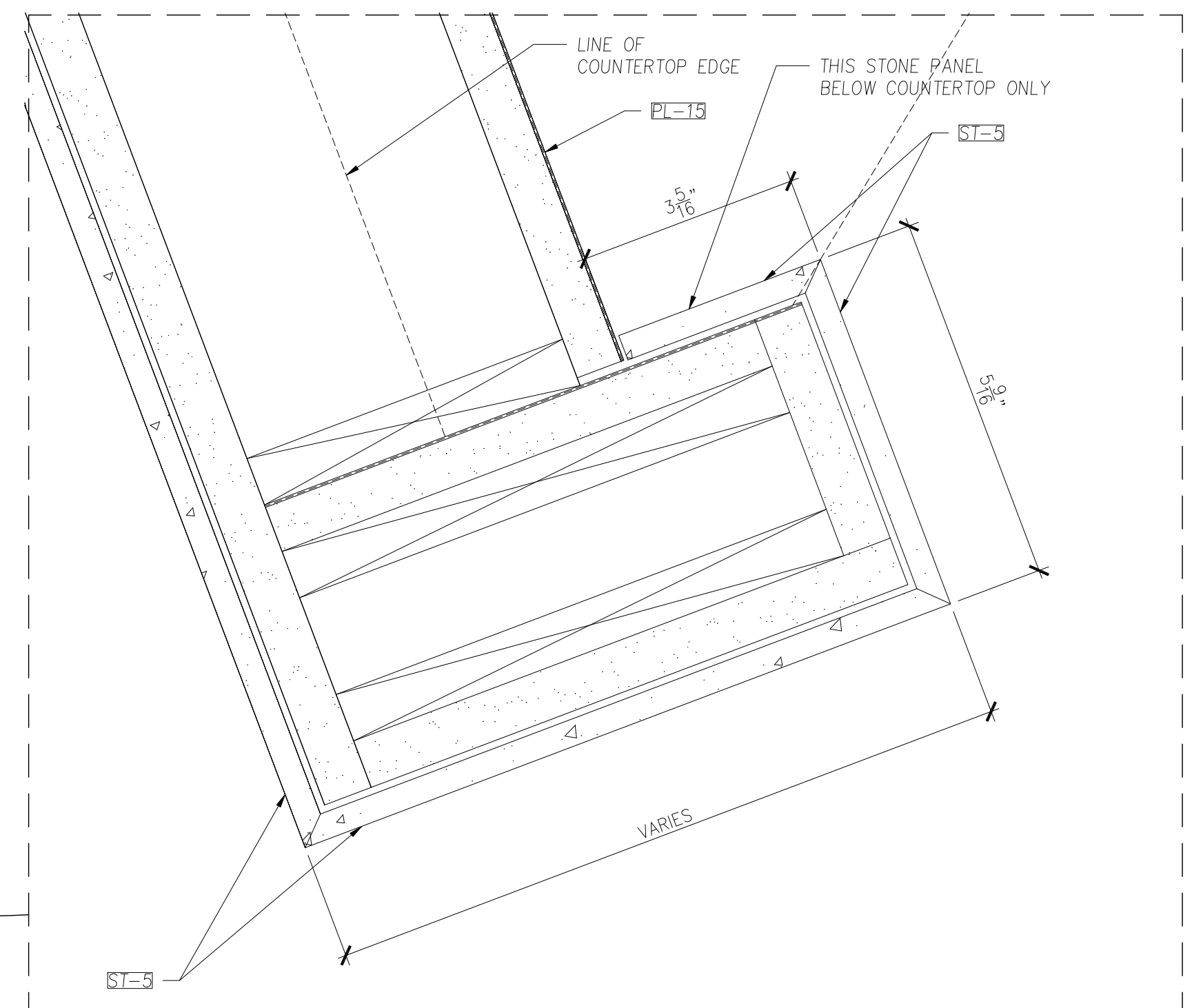
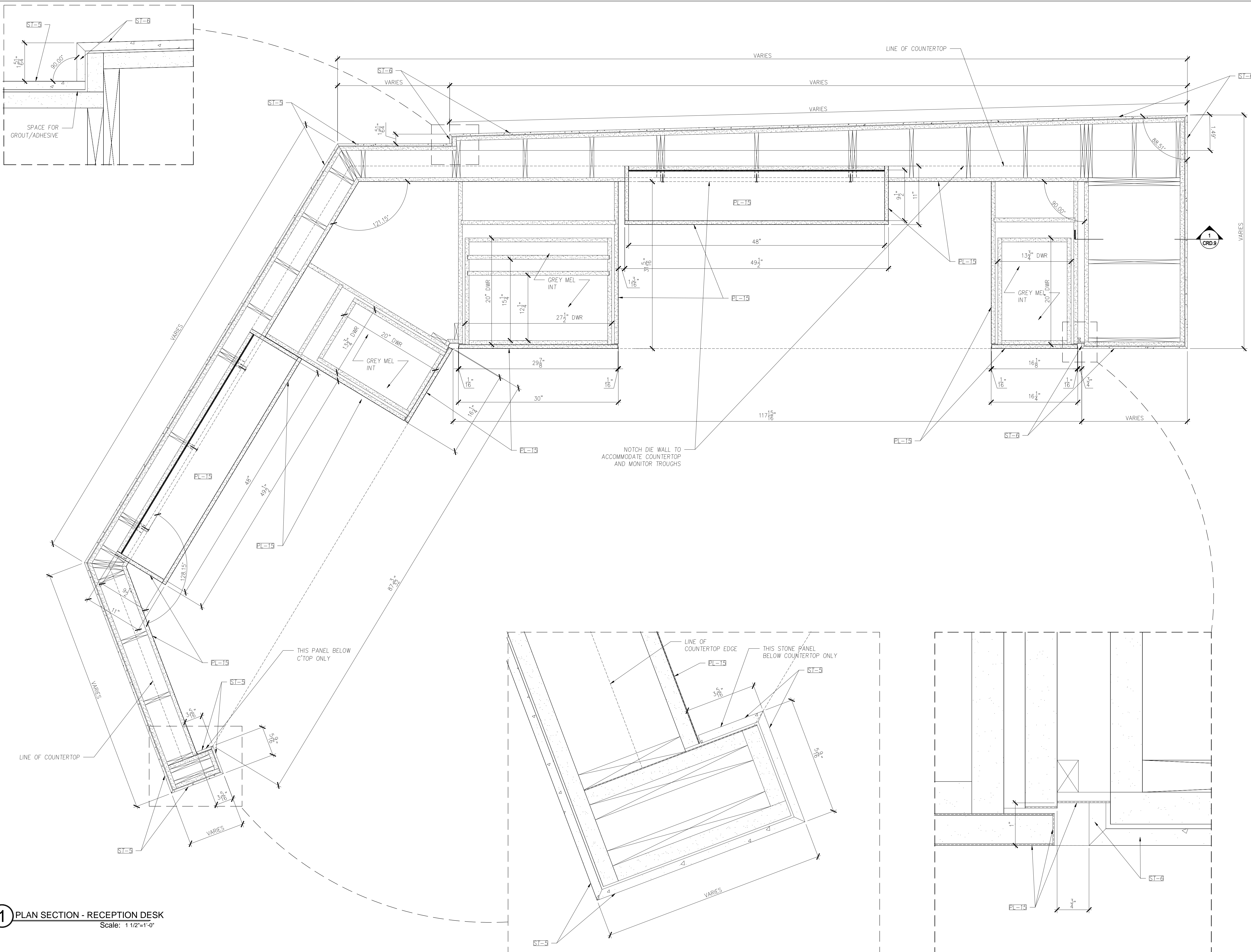
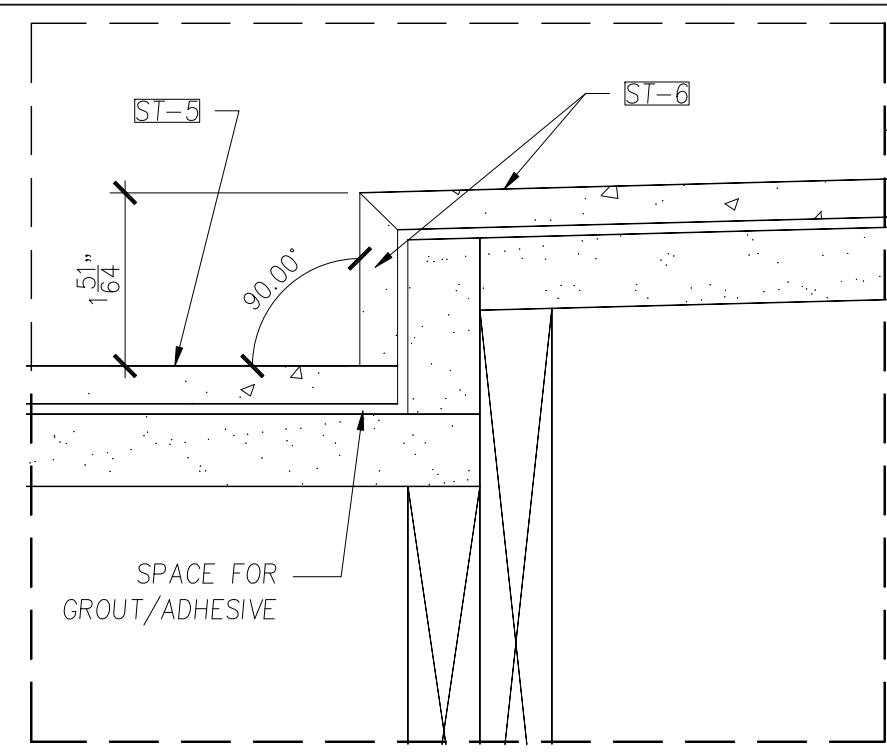
MATERIALS	
Exposed:	Per Schedule
Semi-exposed Surfaces:	N/A
Concealed:	Mill Choice
Toe-Kick:	3/4" Plywood or MDF Finish per Drawing
Core Material:	Sierra Pine, Encore, Particleboard
--	--
EDGE BANDING	
Self-Edge:	Laminate or PVC To Match Face
--	--
PROJECT HARDWARE	
Pulls:	Eppo DP41 3" PA - Polished
Drawer Slides:	Accuride 3832EC Full Ext. Easy Close or EQ.
--	--
FINISHES	
PL-1:	Formica - Storm, 912-58, Matte
FWP-6:	1/4" Cork Fabric: Knoll, WC1499/2, Film Reel, Startel
ST-5:	Granite, Color: Misty Black, Finish: Polished
ST-6:	Burlington Stone, Color: Kirby, Finish: Honed
MTL-1:	Stainless Steel, No. 8 Finish, Almost Mirror Polished
--	--



PROJECT:	
TITLE: SATELLITE RECEPTION DESK PLAN VIEW	
ARCHITECT:	
CONTRACTOR:	
PROJECT MANAGER:	DRAWN BY: AKC
SCALE: AS NOTED	DATE DRAWN: 9-30-16
REVISIONS: 10/10/16 PER REDLINES	DATE APPROVED:
--	JOB NO.:
--	SHEET NO.:

CRD.4

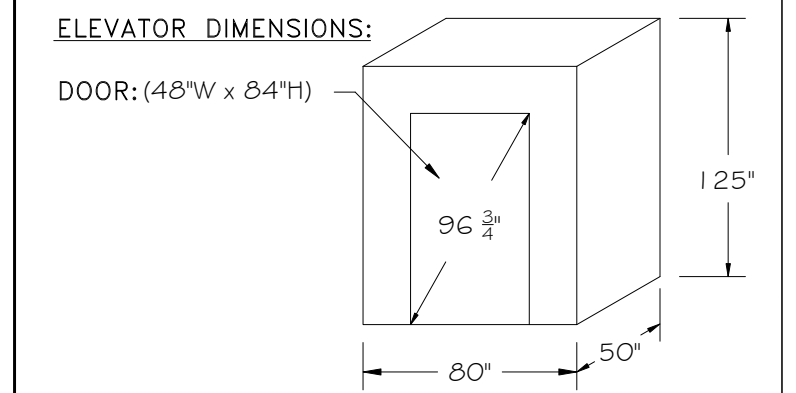
1 PLAN SECTION - RECEPTION DESK  
Scale: 1 1/2"=1'-0"



1 PLAN SECTION - RECEPTION DESK  
Scale: 1 1/2"=1'-0"

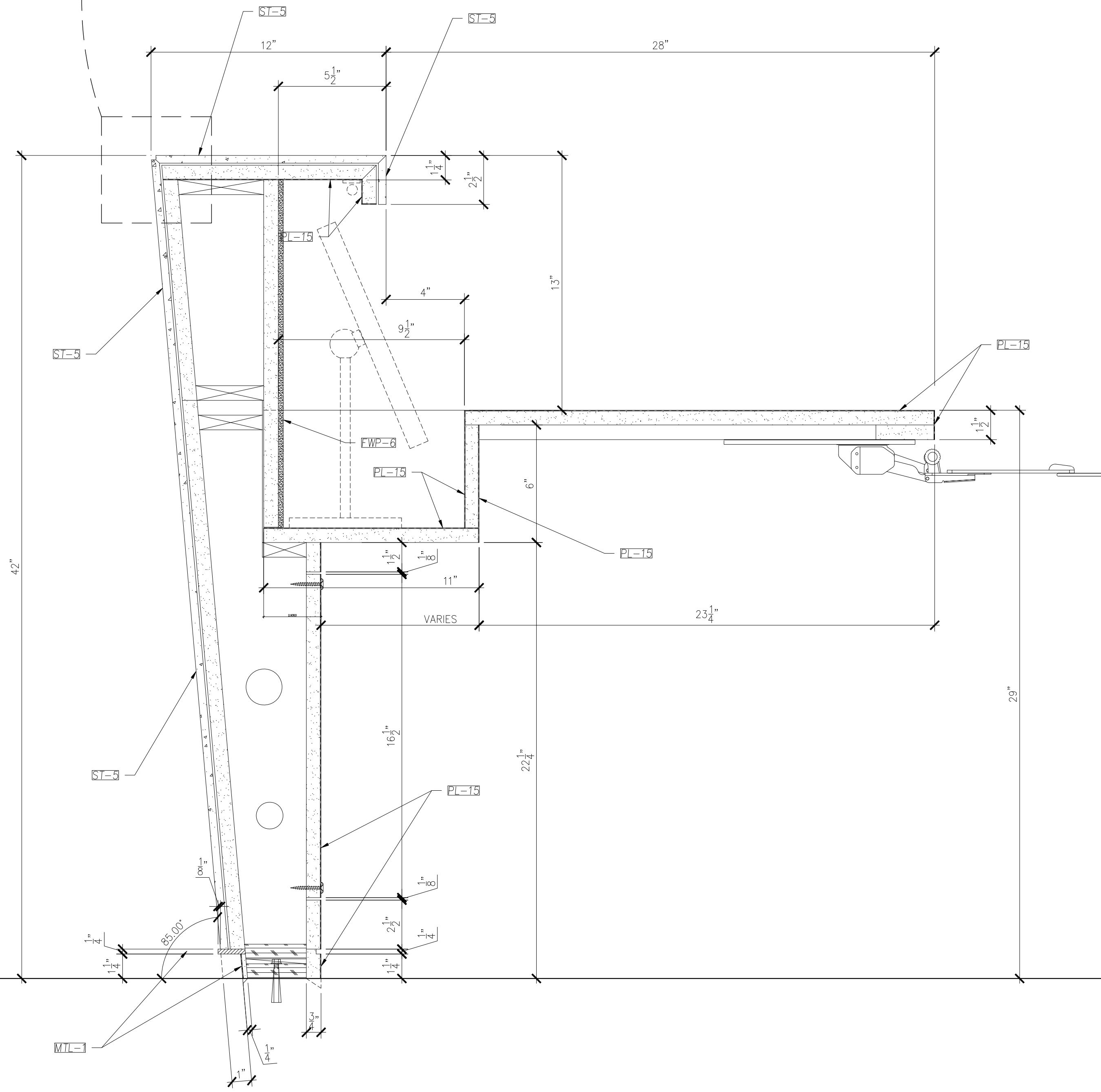
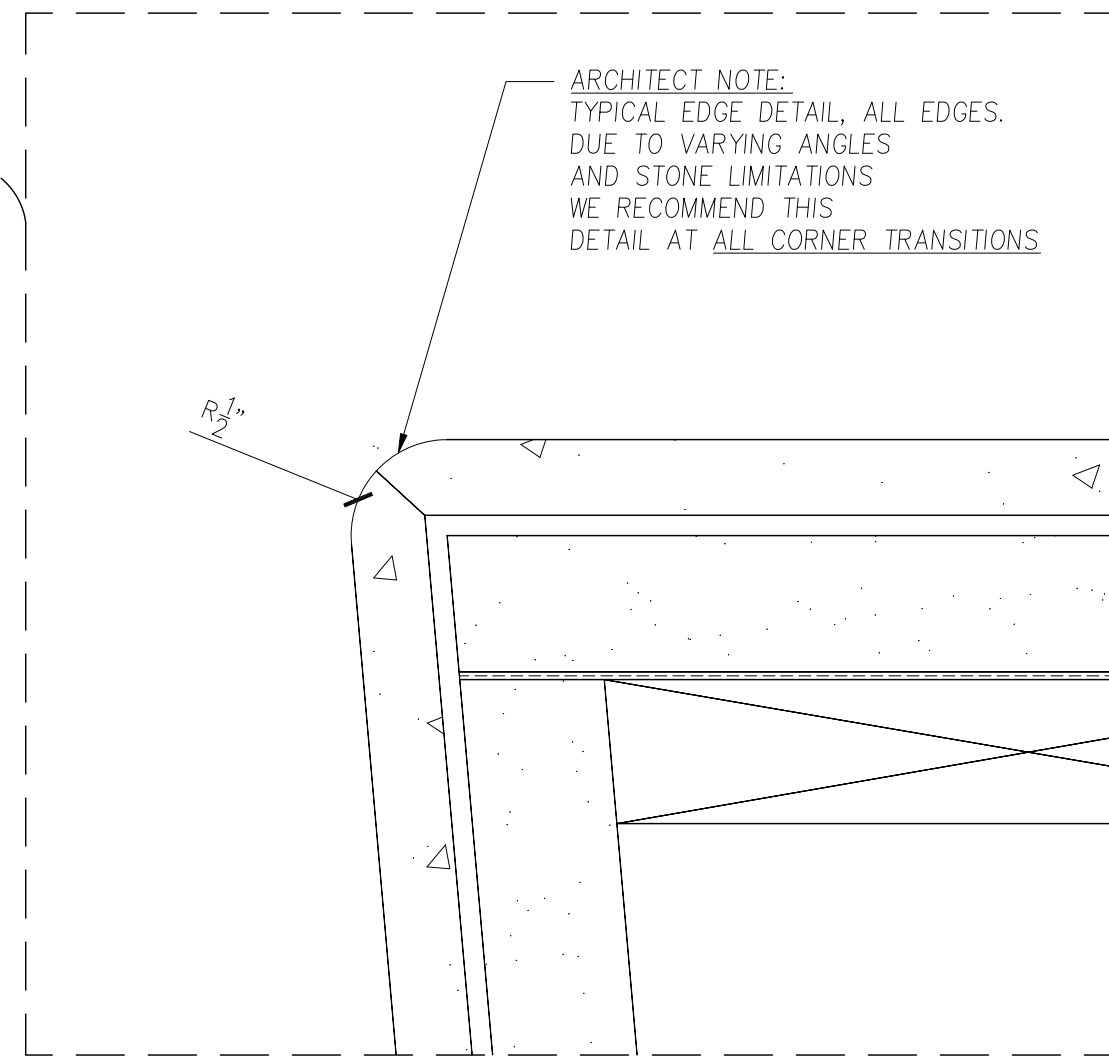
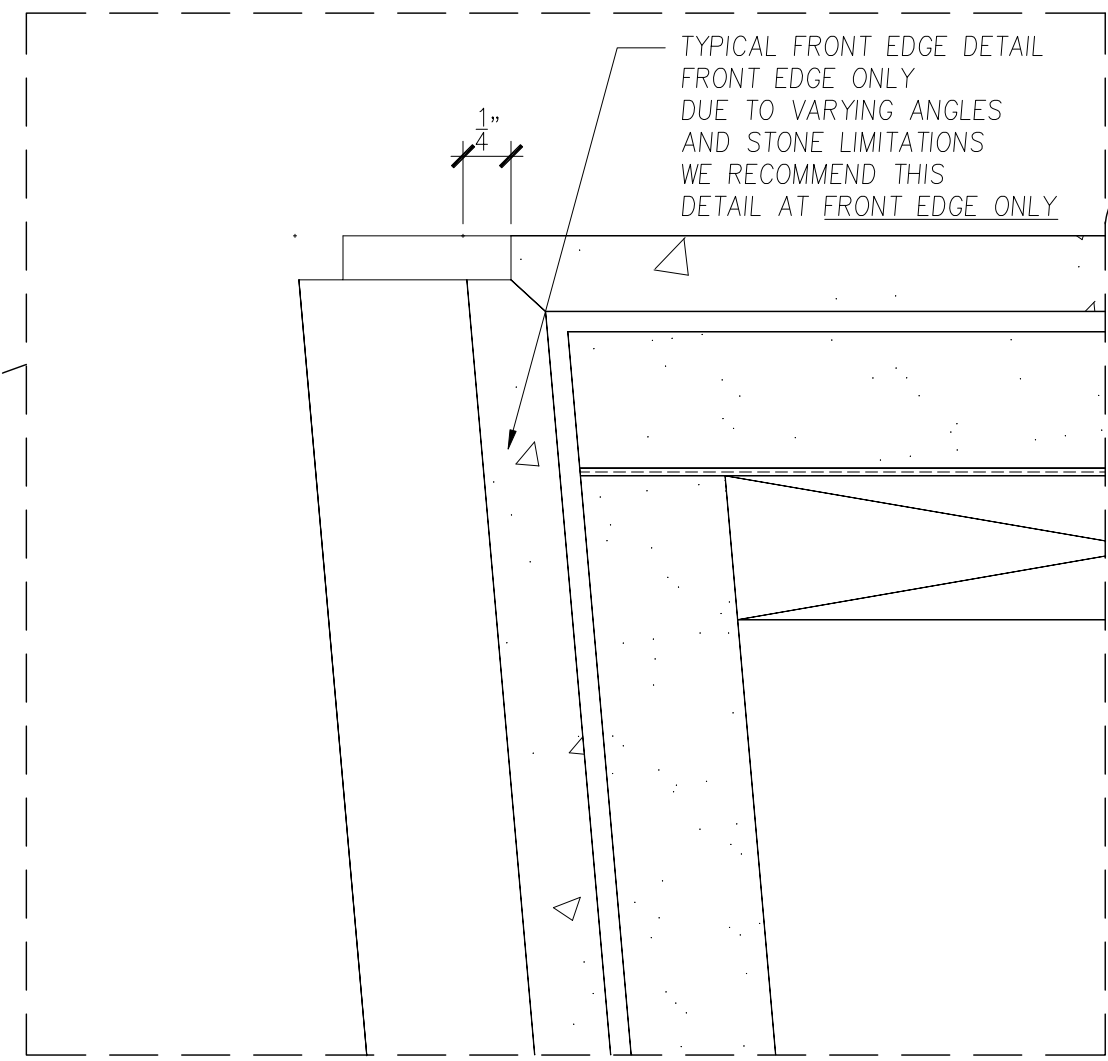
**MATERIAL SCHEDULE**

MATERIALS	
Exposed:	Per Schedule
Semi-exposed Surfaces:	N/A
Concealed:	Mill Choice
Toe-Kick:	3/4" Plywood or MDF Finish per Drawing
Core Material:	Sierra Pine, Encore, Particleboard
---	
EDGEBANDING	
Self-Edge:	Laminate or PVC To Match Face
---	
PROJECT HARDWARE	
Pulls:	Eppo DP41 3" PA - Polished
Drawer Slides:	Accuride 3832EC Full Ext. Easy Close or EQ.
---	
FINISHES	
PL-1:	Formica - Storm, 912-58, Matte
---	
FWP-6:	1/4" Cork Fabric: Knoll, WC1499/2, Film Reel, Startlet
---	
ST-5:	Granite, Color: Misty Black, Finish: Polished
ST-6:	Burlington Stone, Color: Kirby, Finish: Honed
---	
MTL-1:	Stainless Steel, No. 8 Finish, Almost Mirror Polished
---	

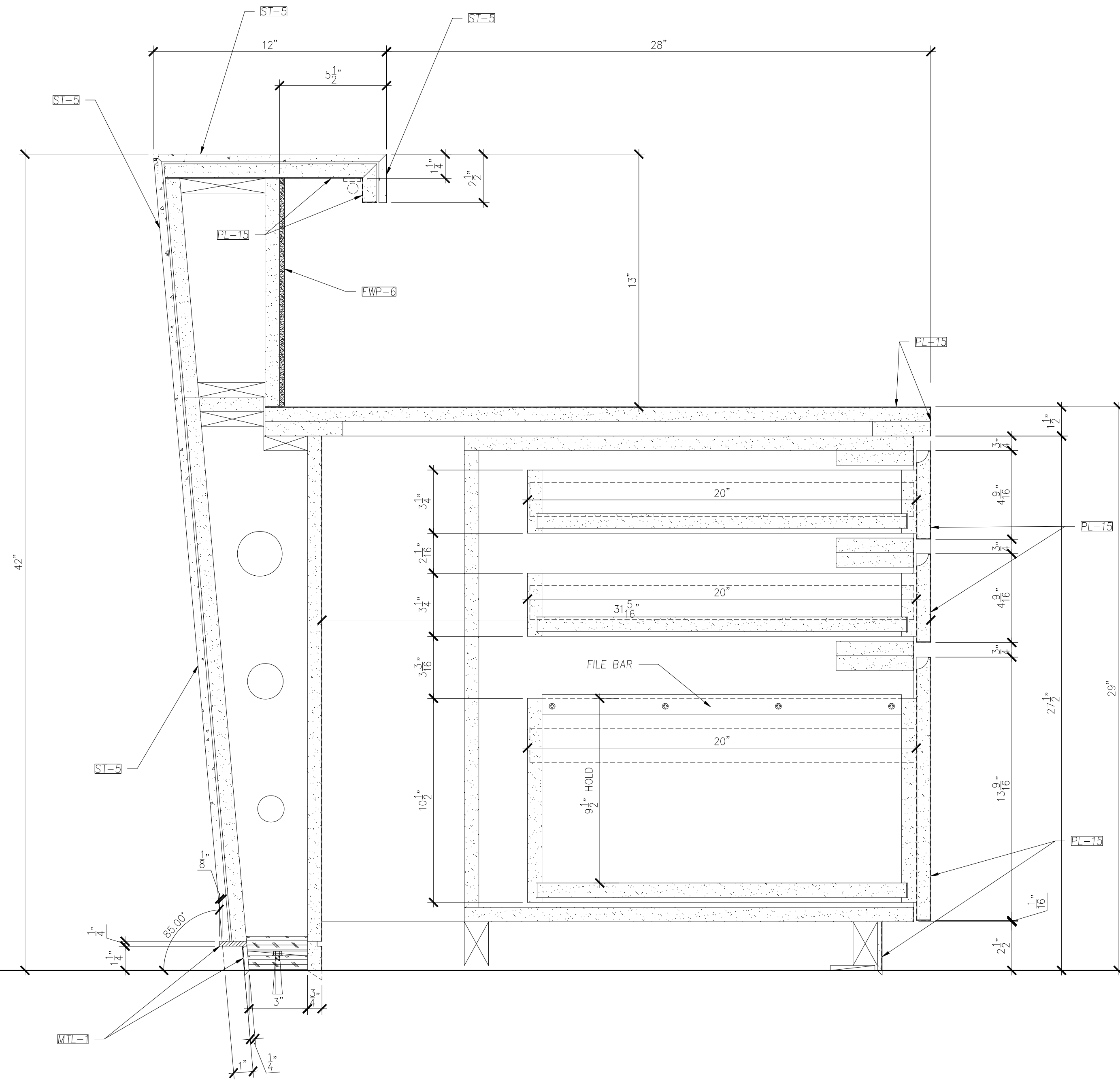


PROJECT:	
TITLE: SATELLITE RECEPTION DESK PLAN VIEW	
ARCHITECT:	
CONTRACTOR:	
PROJECT MANAGER:	DRAWN BY: AKC
SCALE: AS NOTED	DATE DRAWN: 9-30-16
REVISIONS: 10/10/16 PER REDLINES	DATE APPROVED:
JOB NO:	
SHEET NO: CRD.5	





1 SECTION - RECEPTION DESK  
Scale: 3/8"=1'-0"



2 SECTION - RECEPTION DESK  
Scale: 3/8"=1'-0"

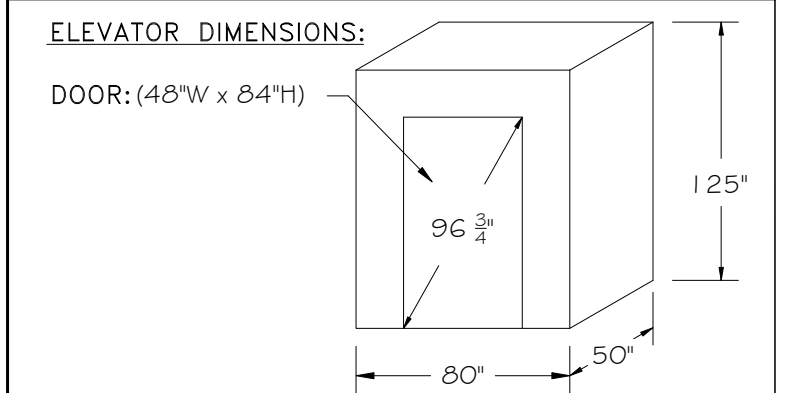
**MATERIAL SCHEDULE**

**MATERIALS**  
Exposed: Per Schedule  
Semi-exposed Surfaces: N/A  
Concealed: Mill Choice  
Toe-Kick: 3/4" Plywood or MDF Finish per Drawing  
Core Material: Sierra Pine, Encore, Particleboard

**EDGEBANDING**  
Self-Edge, Laminate or PVC To Match Face

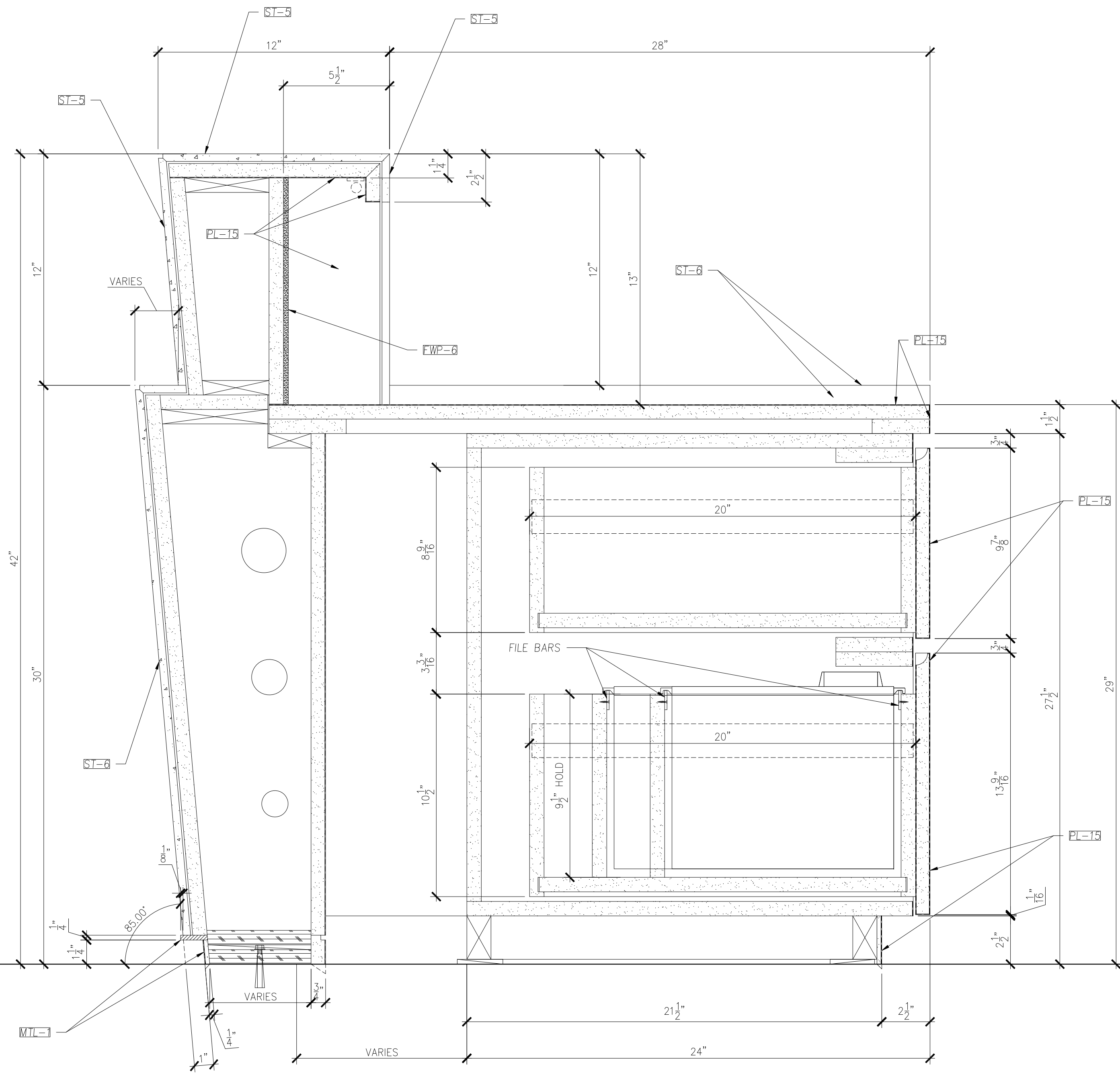
**PROJECT HARDWARE**  
Pulls: Epco DP41 3" PA - Polished  
Drawer Slides: Accuride 3832EC Full Ext. Easy Close or EQ.

**FINISHES**  
PL-1: Formica - Storm, 912-58, Matte  
FWP-6: 1/4" Cork Fabric: Knoll, WC1499/2, Film Reel, Startel  
ST-5: Granite, Color: Misty Black, Finish: Polished  
ST-6: Burlington Stone, Color: Kirby, Finish: Honed  
MTL-1: Stainless Steel, No. 8 Finish, Almost Mirror Polished

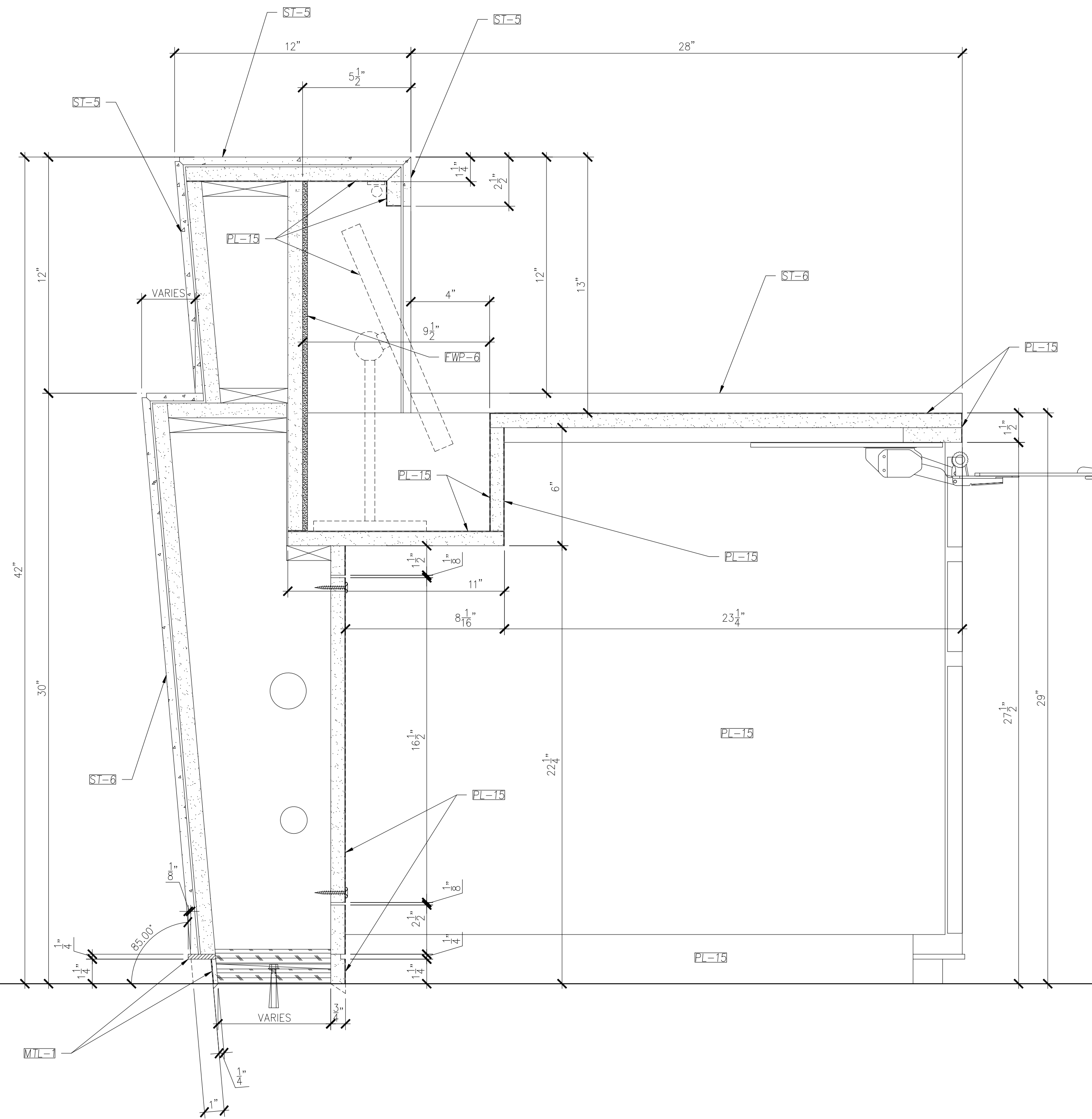


PROJECT:	
TITLE: SATELLITE RECEPTION DESK SECTIONS	
ARCHITECT:	
CONTRACTOR:	
PROJECT MANAGER:	DRAWN BY: AKC
SCALE: AS NOTED	DATE DRAWN: 9-30-16
REVISIONS: 10/10/16 PER REDLINES	DATE APPROVED:
---	JOB NO.:
	SHEET NO.:

CRD.6

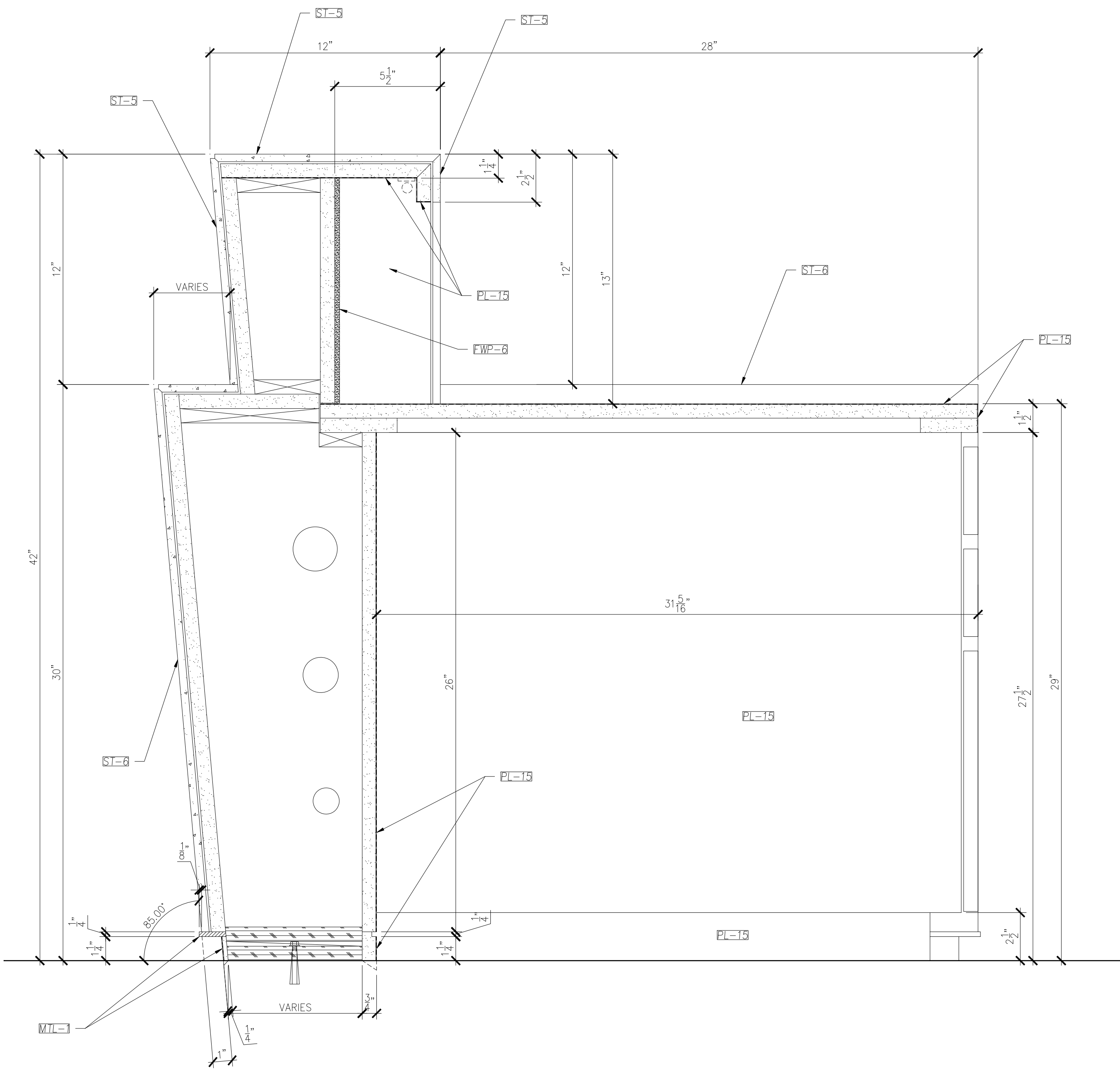


**1 SECTION - RECEPTION DESK**  
Scale: 3/4"=1'-0"

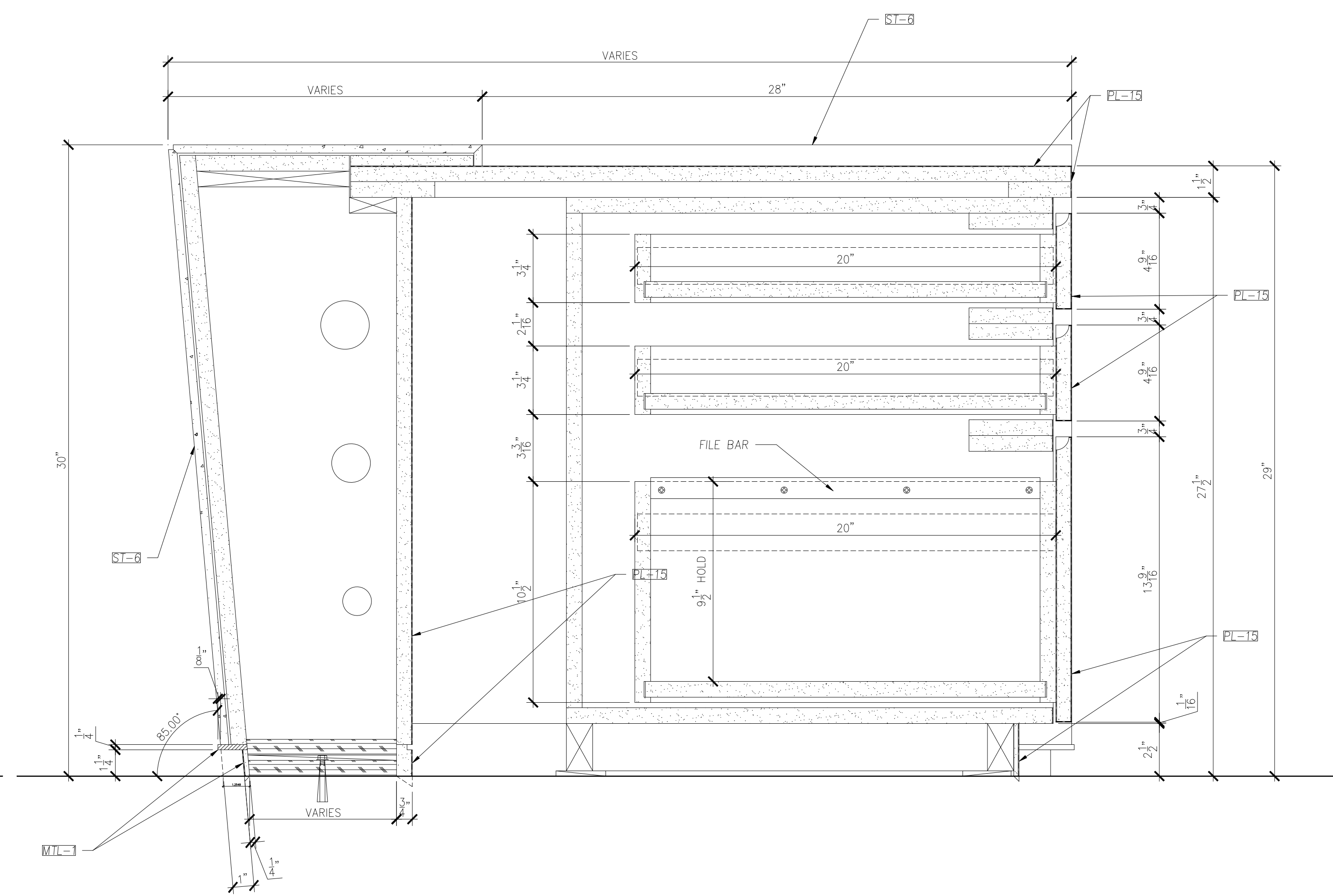


**2 SECTION - RECEPTION DESK**  
Scale: 3/4"=1'-0"

MATERIAL SCHEDULE	
<b>MATERIALS</b>	
Exposed: Per Schedule	
Semi-exposed Surfaces: N/A	
Concealed: Mill Choice	
Toe-Kick: 3/4" Plywood or MDF Finish per Drawing	
Core Material: Sierra Pine, Encore, Particleboard	
---	
---	
<b>EDGE BANDING</b>	
Self-Edge, Laminate or PVC To Match Face	
---	
---	
<b>PROJECT HARDWARE</b>	
Pulls: Epco DP41 3" PA - Polished	
Drawer Slides: Accuride 3832EC Full Ext. Easy Close or EQ.	
---	
---	
---	
---	
---	
<b>FINISHES</b>	
PL-1: Formica - Storm, 912-58, Matte	
---	
FWP-6: 1/4" Cork Fabric: Knoll, WC1499/2, Film Reel, Startel	
---	
ST-5: Granite, Color: Misty Black, Finish: Polished	
ST-6: Burlington Stone, Color: Kirby, Finish: Honed	
---	
MTL-1: Stainless Steel, No. 8 Finish, Almost Mirror Polished	
---	
---	
---	
<b>ELEVATOR DIMENSIONS:</b>	
DOOR: (48"W x 84"H)	
PROJECT:	
TITLE: SATELLITE RECEPTION DESK SECTIONS	
ARCHITECT:	
CONTRACTOR:	
PROJECT MANAGER:	DRAWN BY: AKC
SCALE: AS NOTED	DATE DRAWN: 9-30-16
REVISIONS: 10/10/16 PER REDLINES	DATE APPROVED:
---	JOB NO:
SHEET NO: CRD.7	



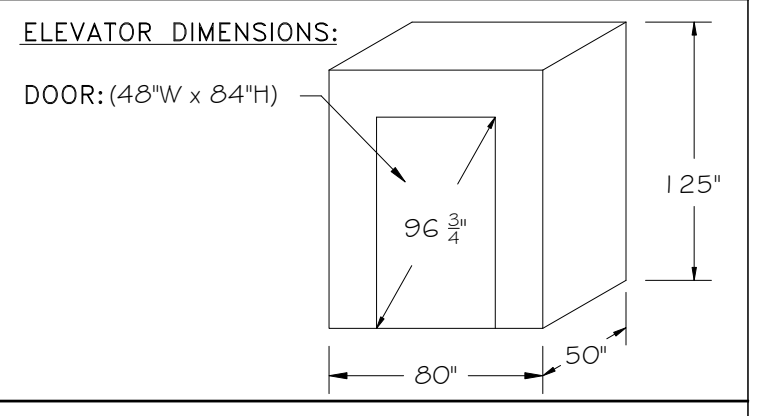
**1 SECTION - RECEPTION DESK**  
Scale: 3"=1'-0"



**2 SECTION - RECEPTION DESK**  
Scale: 3"=1'-0"

**MATERIAL SCHEDULE**

MATERIALS	
Exposed:	Per Schedule
Semi-exposed Surfaces:	N/A
Concealed:	Mill Choice
Toe-Kick:	3/4" Plywood or MDF Finish per Drawing
Core Material:	Sierra Pine, Encore, Particleboard
--	--
EDGEBANDING	
Self-Edge:	Laminate or PVC To Match Face
--	--
PROJECT HARDWARE	
Pulls:	Epco DP41 3" PA - Polished
Drawer Slides:	Accuride 3832EC Full Ext. Easy Close or EQ.
--	--
FINISHES	
PL-1:	Formica - Storm, 912-58, Matte
FWP-6:	1/4" Cork, Fabric: Knoll, WC1499/2, Film Reel, Startel
ST-5:	Granite, Color: Misty Black, Finish: Polished
ST-6:	Burlington Stone, Color: Kirby, Finish: Honed
MTL-1:	Stainless Steel, No. 8 Finish, Almost Mirror Polished
--	--



PROJECT:

TITLE:  
SATELLITE RECEPTION DESK  
SECTIONS

ARCHITECT:

CONTRACTOR:

PROJECT MANAGER:

DRAWN BY:  
AKC

SCALE:  
AS NOTED

DATE DRAWN:  
9-30-16

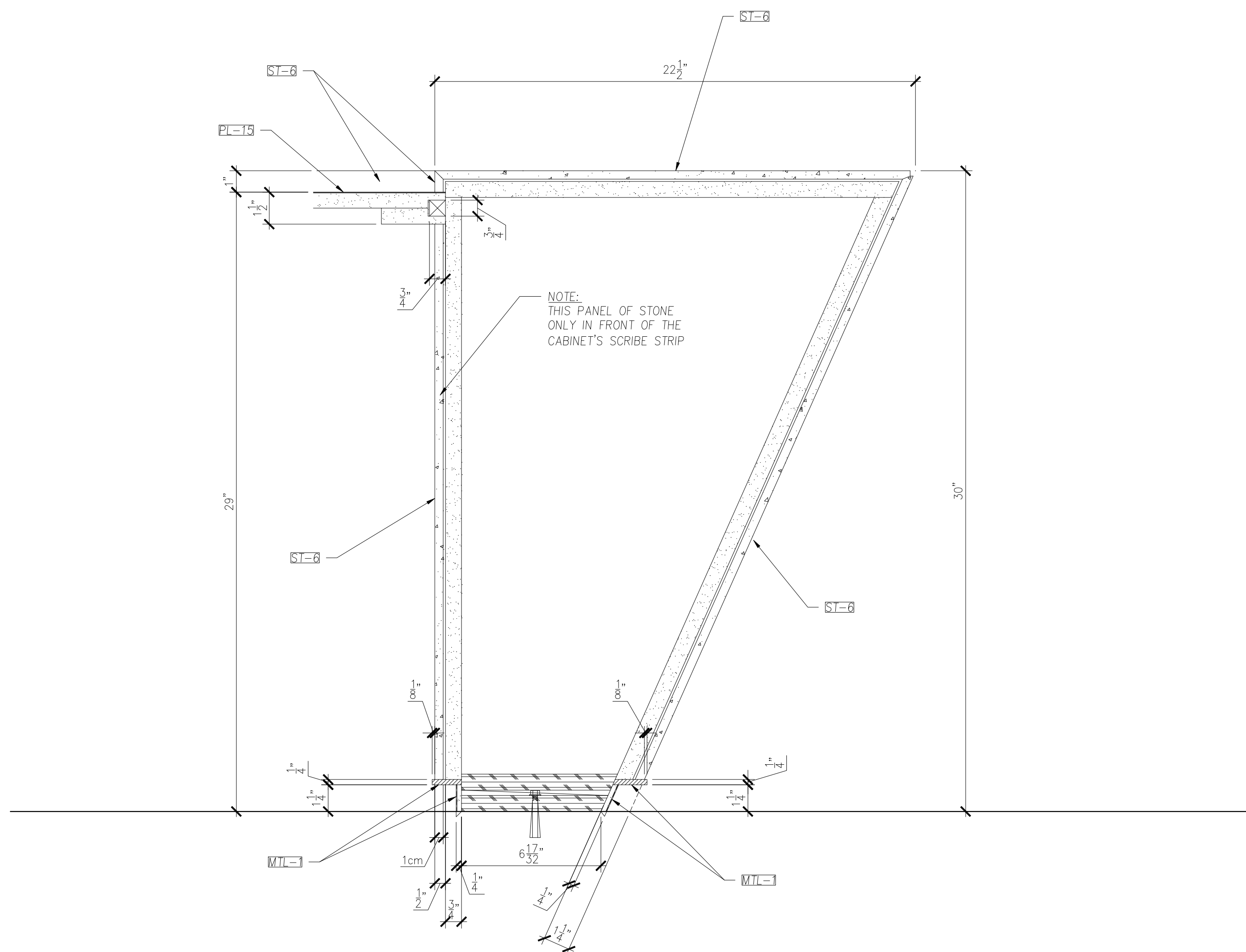
REVISIONS:  
10/10/16 PER REDLINES

DATE APPROVED:

JOB NO.:

SHEET NO.:

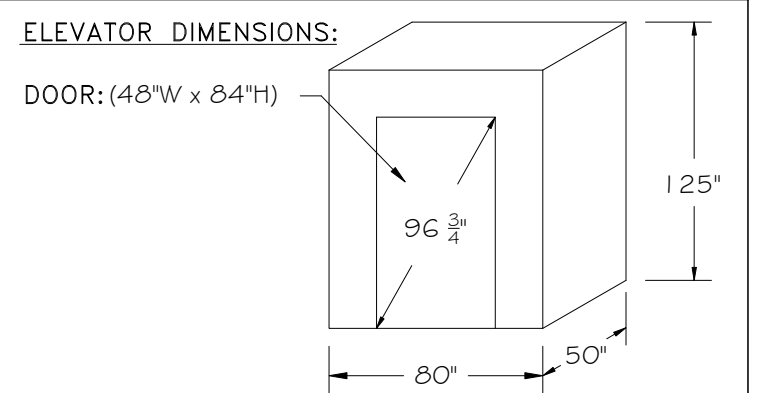
CRD.8



**1 SECTION - RECEPTION DESK**  
Scale: 3/8"=1'-0"

**MATERIAL SCHEDULE**

MATERIALS	
Exposed:	Per Schedule
Semi-exposed Surfaces:	N/A
Concealed:	Mill Choice
Toe-Kick:	3/4" Plywood or MDF Finish per Drawing
Core Material:	Sierra Pine, Encore, Particleboard
--	--
EDGE BANDING	
Self-Edge:	Laminate or PVC To Match Face
--	--
PROJECT HARDWARE	
Pulls:	Epco DP41 3" PA - Polished
Drawer Slides:	Accuride 3832EC Full Ext. Easy Close or EQ.
--	--
FINISHES	
PL-1:	Formica - Storm, 912-58, Matte
--	--
FWP-6:	1/4" Cork, Fabric: Knoll, WC1499/2, Film Reel, Startlet
--	--
ST-5:	Granite, Color: Misty Black, Finish: Polished
ST-6:	Burlington Stone, Color: Kirby, Finish: Honed
--	--
MTL-1:	Stainless Steel, No. 8 Finish, Almost Mirror Polished
--	--



PROJECT:

TITLE:  
SATELLITE RECEPTION DESK  
SECTIONS

ARCHITECT:

CONTRACTOR:

PROJECT MANAGER:	DRAWN BY: AKC
------------------	------------------

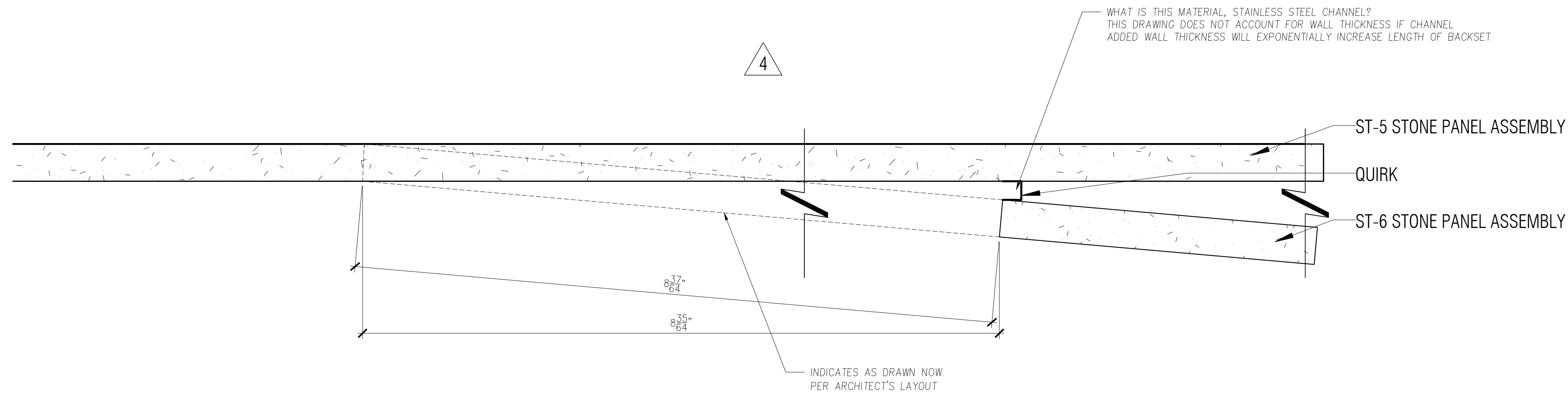
SCALE: AS NOTED	DATE DRAWN: 9-30-16
--------------------	------------------------

REVISIONS: 10/10/16 PER REDLINES	DATE APPROVED:
-------------------------------------	----------------

---	JOB NO.:
-----	----------

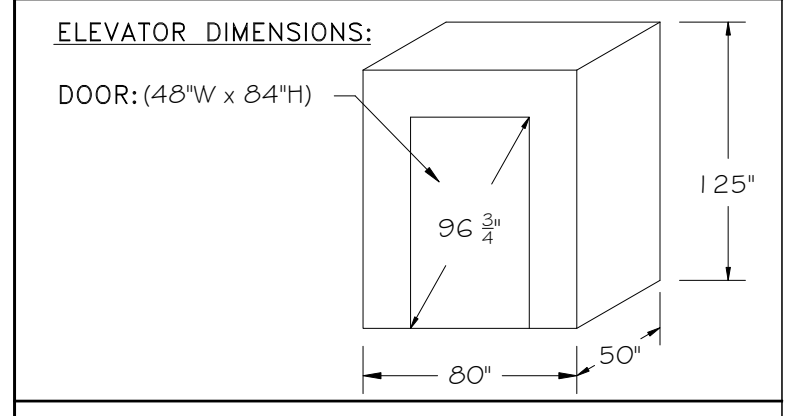
---	SHEET NO.:
-----	------------

CRD.9



**MATERIAL SCHEDULE**

MATERIALS	
Exposed:	Per Schedule
Semi-exposed Surfaces:	N/A
Concealed:	Mill Choice
Toe-Kick:	3/4" Plywood or MDF Finish per Drawing
Core Material:	Sierra Pine, Encore, Particleboard
--	--
--	--
EDGEBANDING	
Self-Edge:	Laminate or PVC To Match Face
--	--
--	--
PROJECT HARDWARE	
Pulls:	Epco DP41 3" PA - Polished
Drawer Slides:	Accuride 3832EC Full Ext. Easy Close or EQ.
--	--
--	--
--	--
--	--
--	--
--	--
--	--
--	--
--	--
--	--
--	--
FINISHES	
PL-1:	Formica - Storm, 912-58, Matte
--	--
FWP-6:	1/4" Cork, Fabric: Knoll, WC1499/2, Film Reel, Startlet
--	--
ST-5:	Granite, Color: Misty Black, Finish: Polished
ST-6:	Burlington Stone, Color: Kirby, Finish: Honed
--	--
MTL-1:	Stainless Steel, No. 8 Finish, Almost Mirror Polished
--	--
--	--
--	--
--	--



PROJECT:	
TITLE: SATELLITE RECEPTION DESK SECTIONS	
ARCHITECT:	
CONTRACTOR:	
PROJECT MANAGER:	DRAWN BY: AKC
SCALE: AS NOTED	DATE DRAWN: 9-30-16
REVISIONS: 10/10/16 PER REDLINES	DATE APPROVED:
--	JOB NO.:
--	SHEET NO.:
CRD.9	