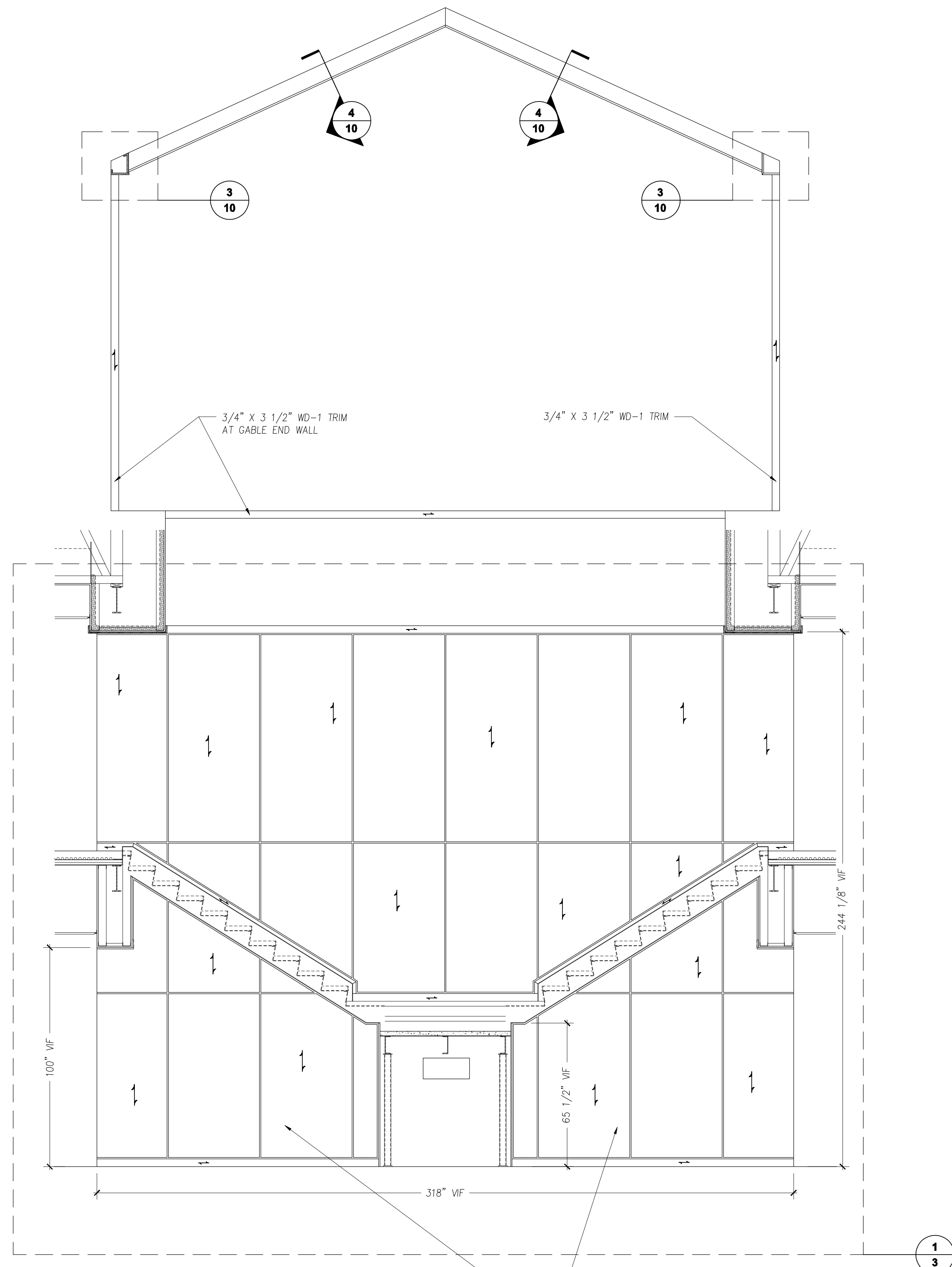


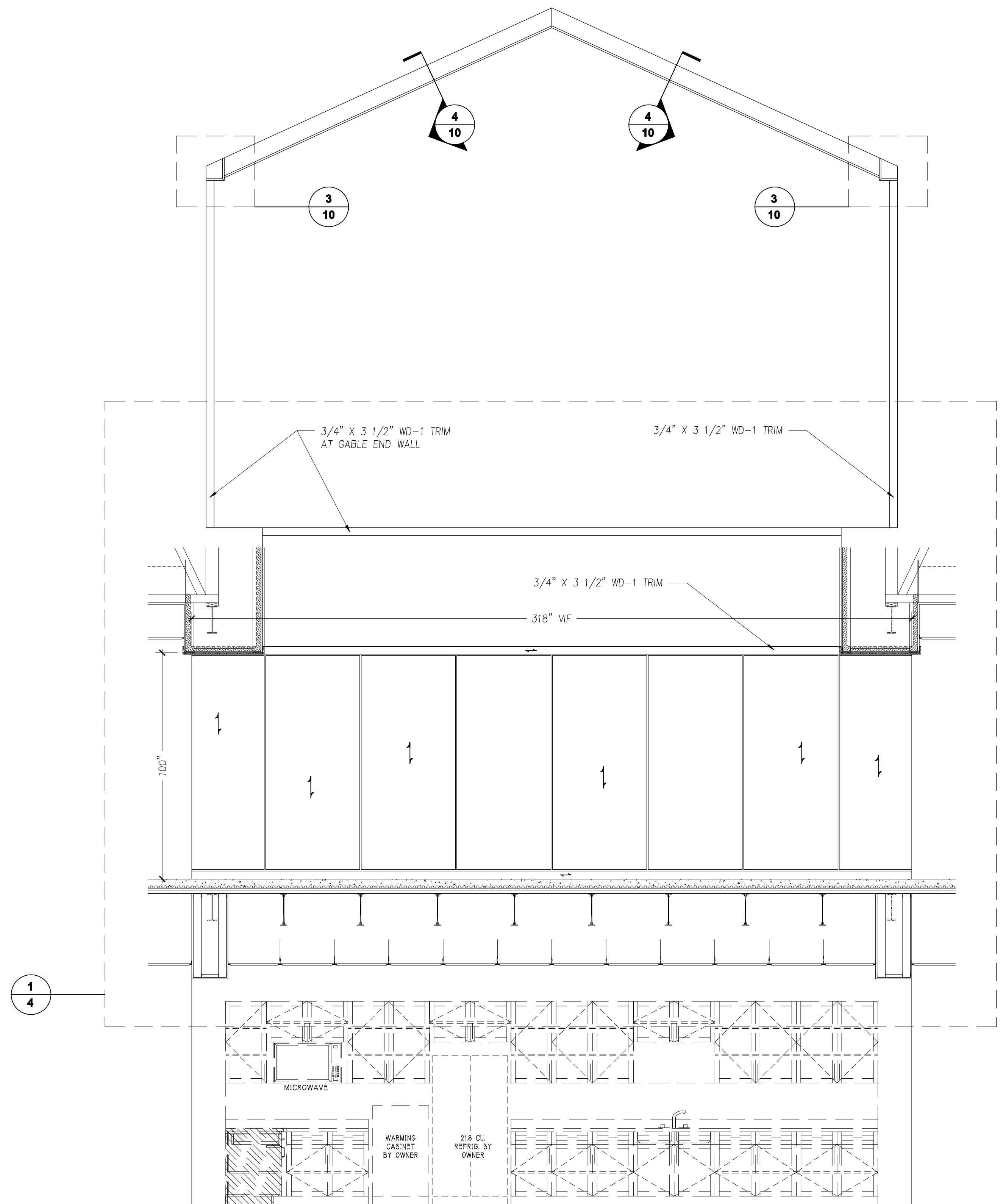
1 FLOOR PLAN - ATRIUM / LOUNGE 130
Scale: 1/4"=1'-0"

FURNISH ONLY



1 ELEVATION - WALL PANELS AT FEATURE WALL
Scale: 3/8"=1'-0"

STAIRS NOT SHOWN
FOR CLARITY OF PANEL
LAYOUT



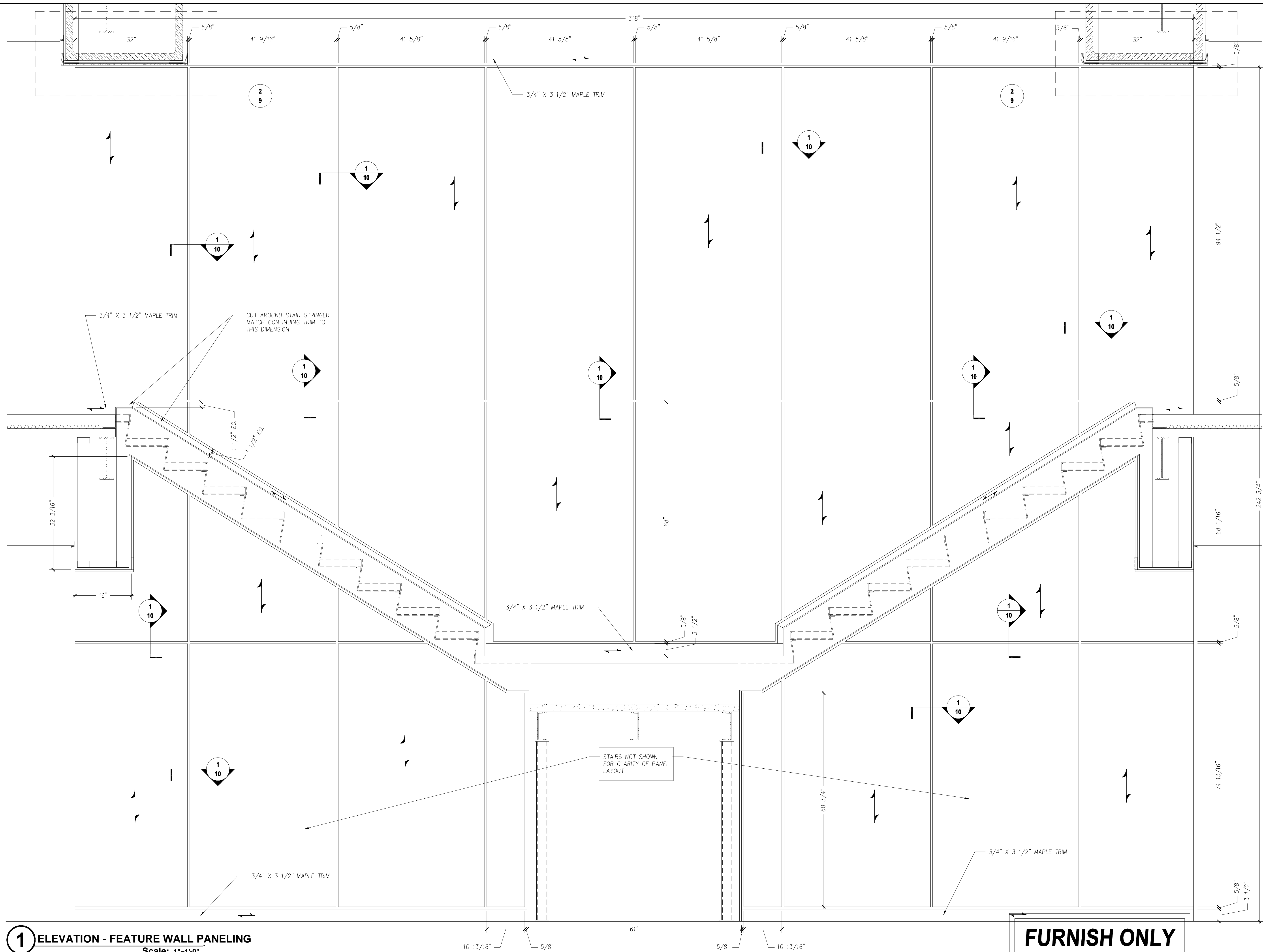
2 ELEVATION - 2ND FLR SITTING AREA PANELS
Scale: 3/8"=1'-0"

FURNISH ONLY

JOB NO.	
DATE	3/26/12
DRAWN	GM
CHECKED	--

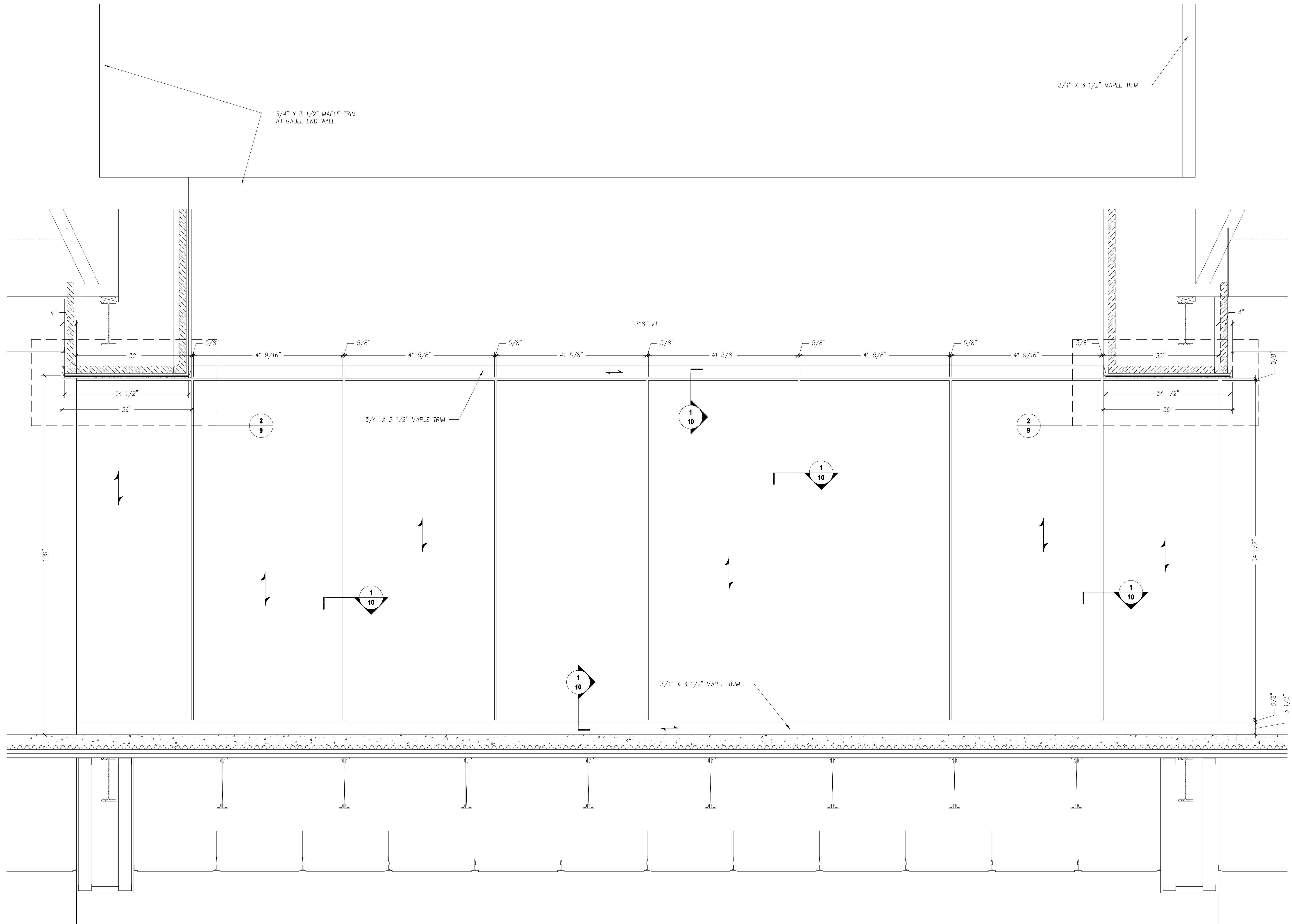
REVISIONS

SHEET	1.03
-------	------



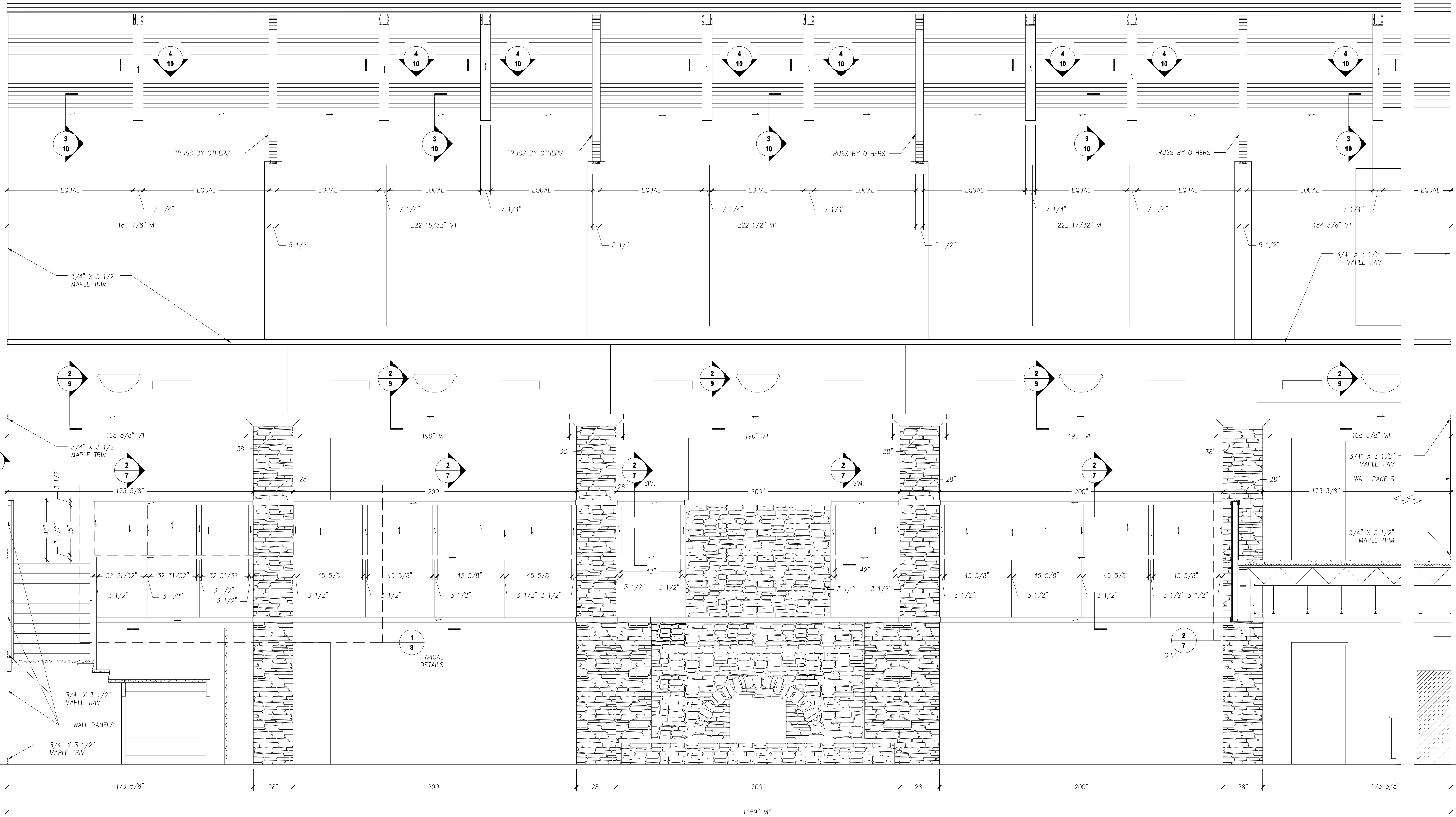
1 ELEVATION - FEATURE WALL PANELING
Scale: 1"=1'-0"

FURNISH ONLY



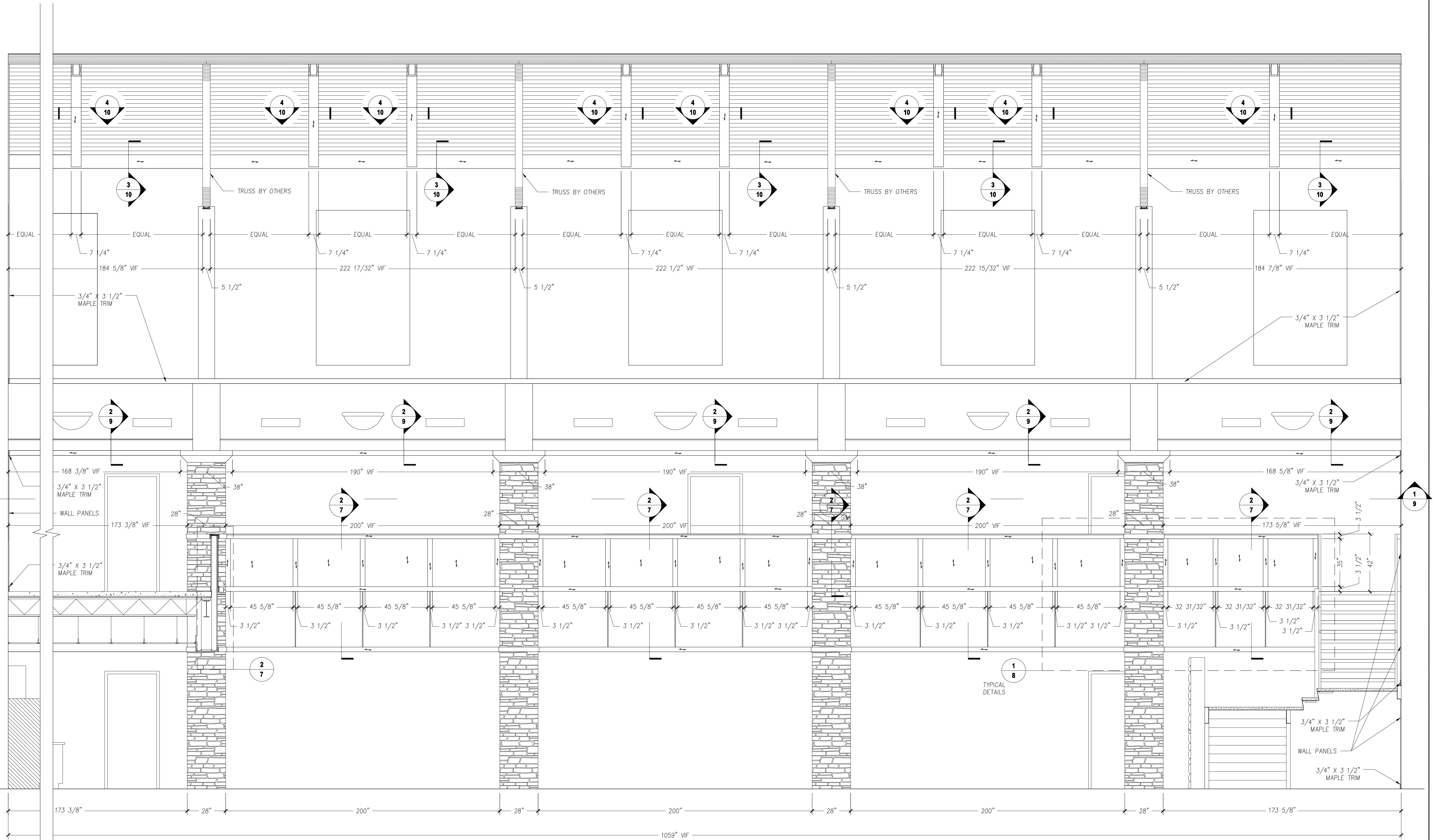
1 ELEVATION - 2ND FLR SITTING AREA PANELS
Scale: 1"=1'-0"

FURNISH ONLY



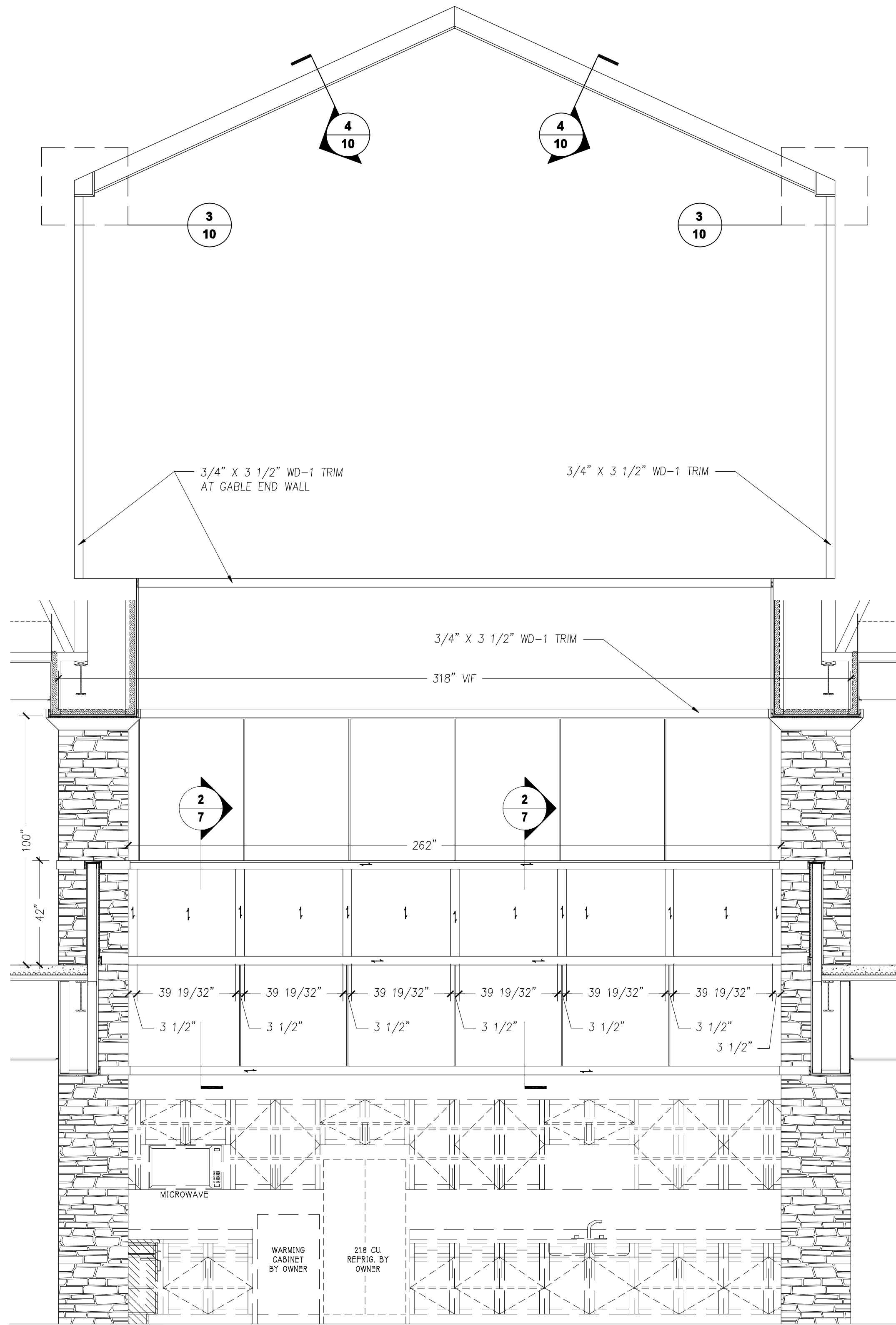
1 ELEVATION - STUDENT LOUNGE 130 SOUTH
Scale: 3/8"=1'-0"

FURNISH ONLY



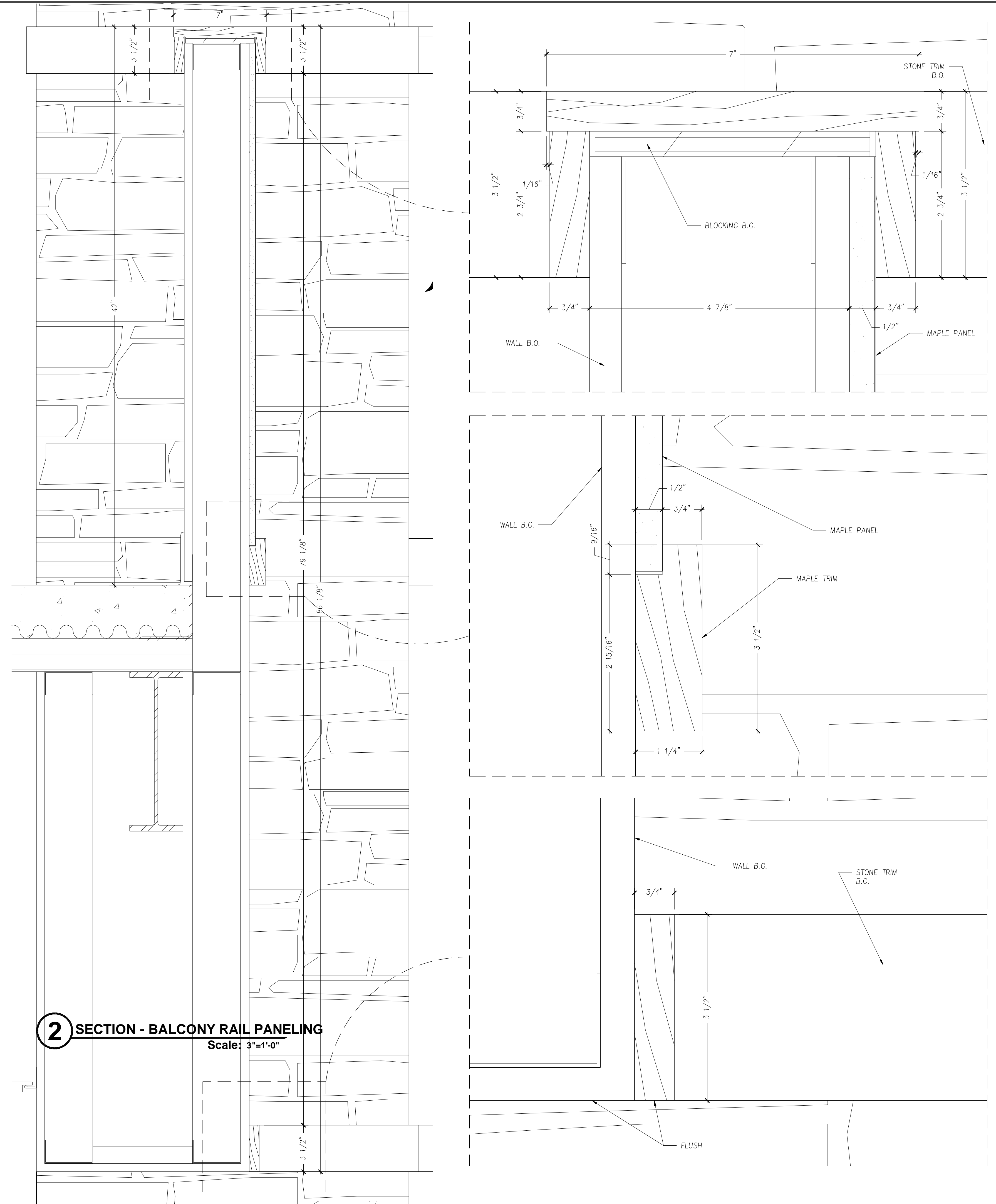
1 ELEVATION - STUDENT LOUNGE 130 NORTH
Scale: 3/8"=1'-0"

FURNISH ONLY

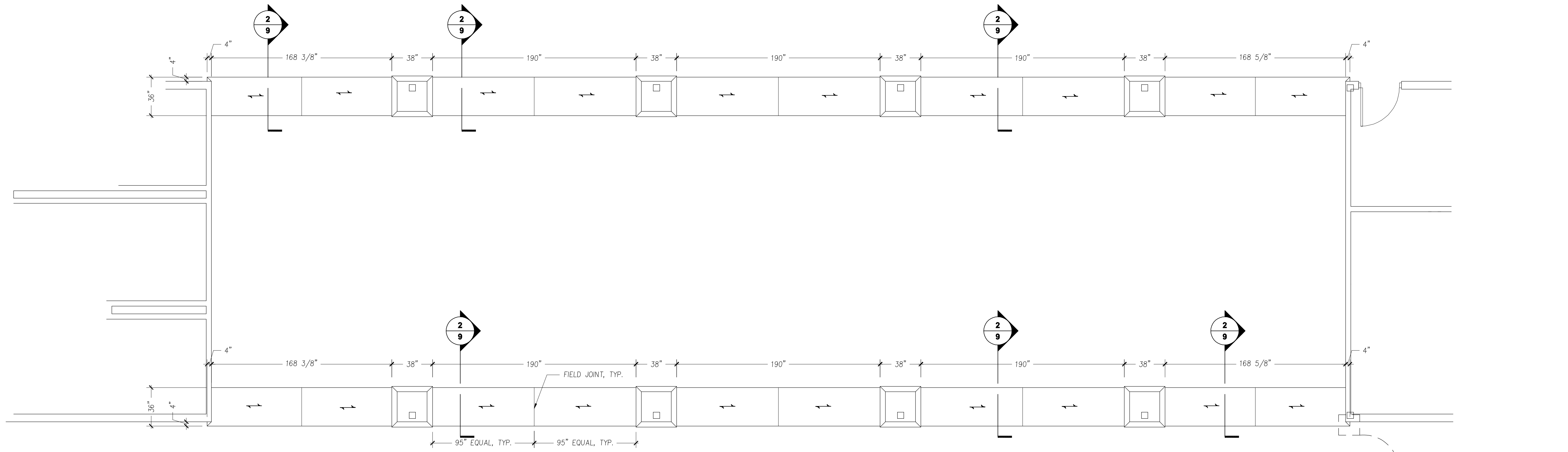


1 ELEVATION - STUDENT LOUNGE 130 WEST
Scale: 3/8"=1'-0"

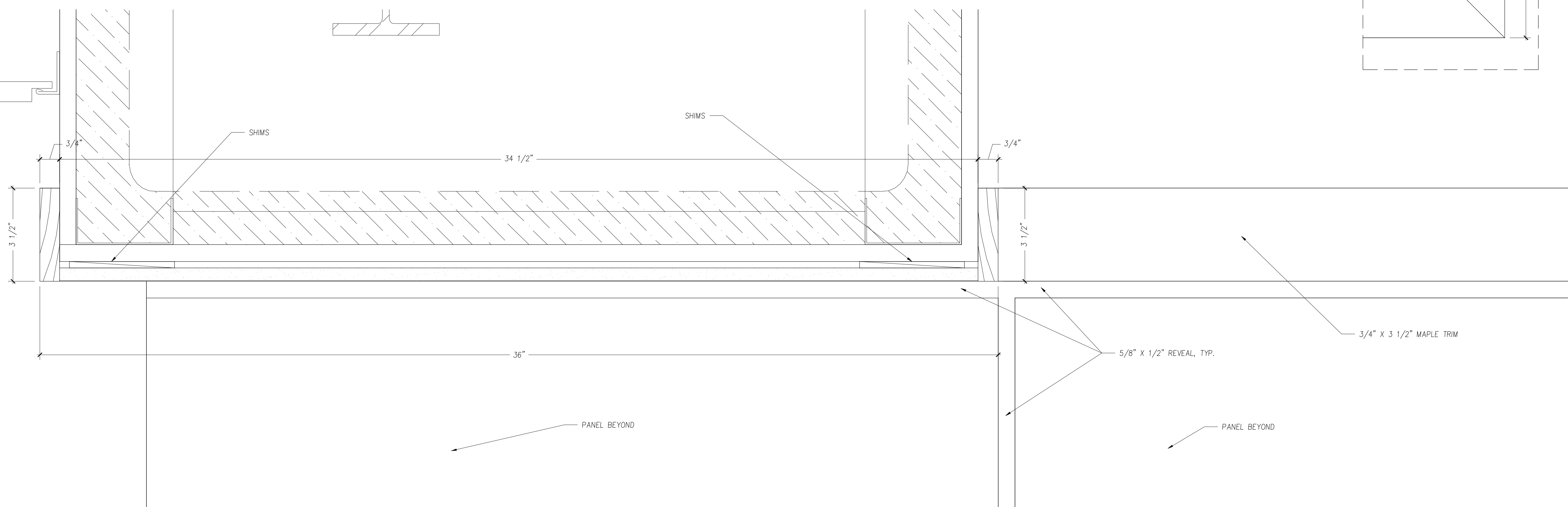
FURNISH ONLY



2 SECTION - BALCONY RAIL PANELING
Scale: 3"=1'-0"

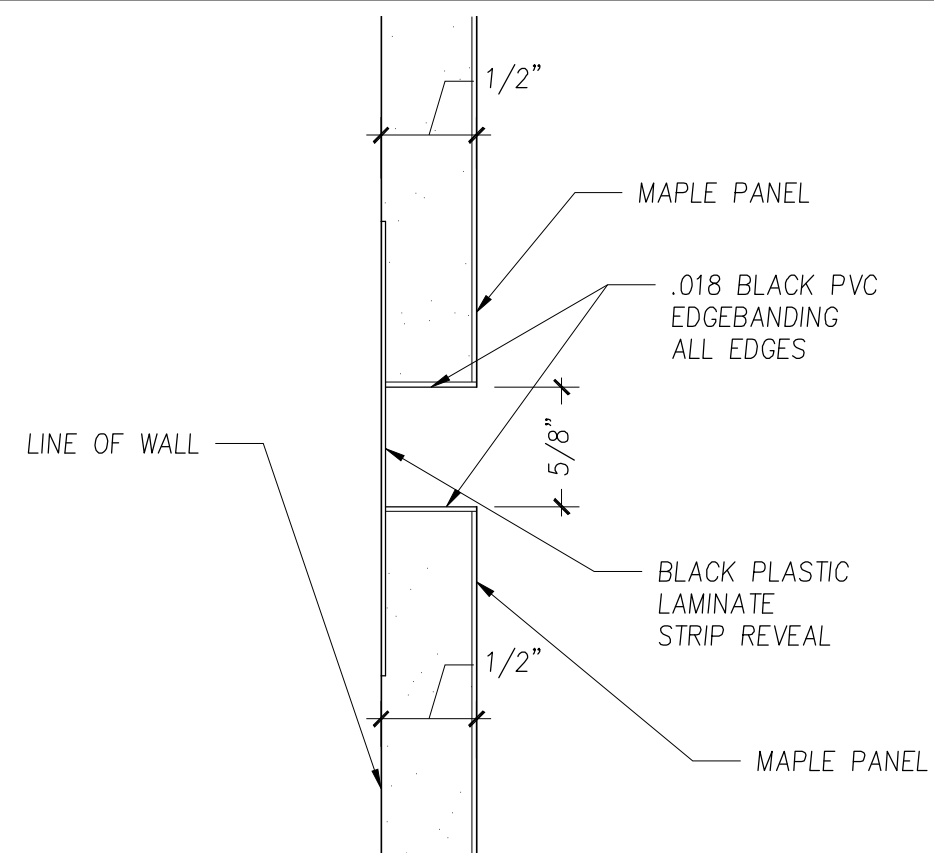


1 REFLECTED CIELING PLAN AT SOFFIT
Scale: 1/4"=1'-0"

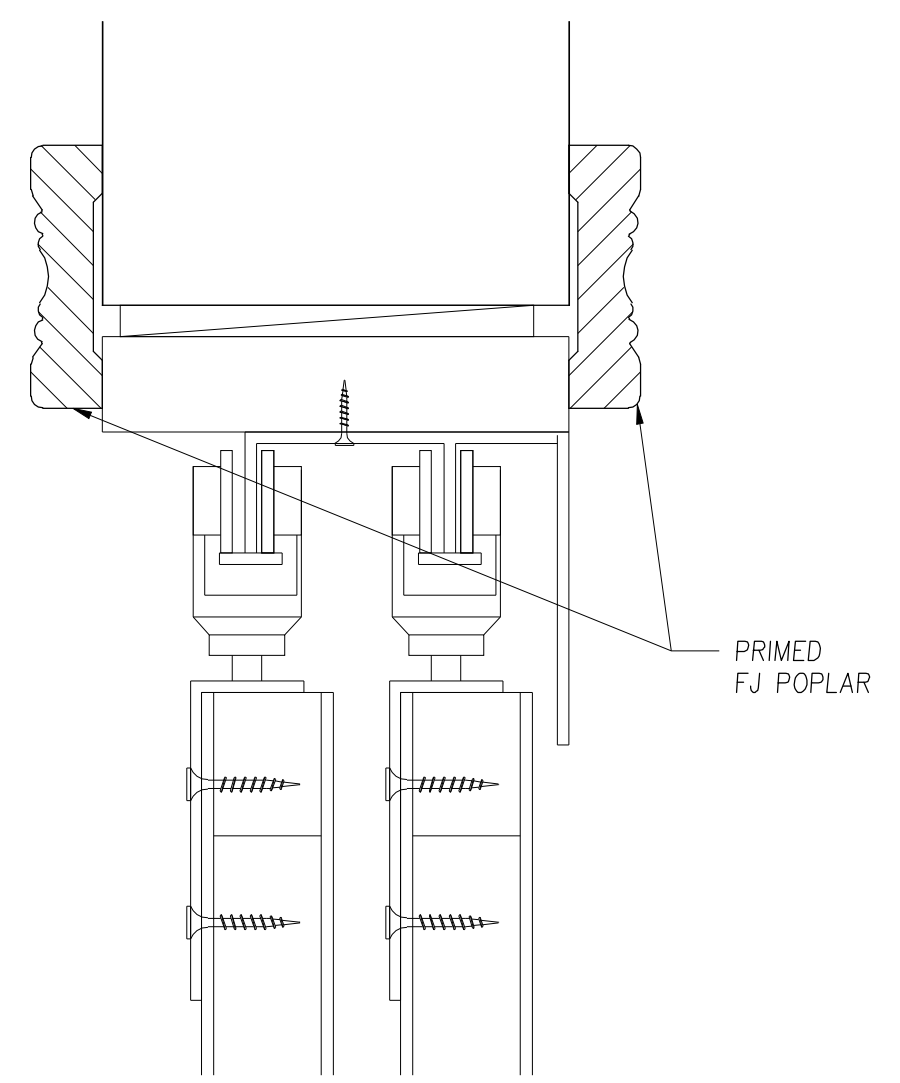


2 SECTION - SOFFIT PANELING
Scale: 6"=1'-0"

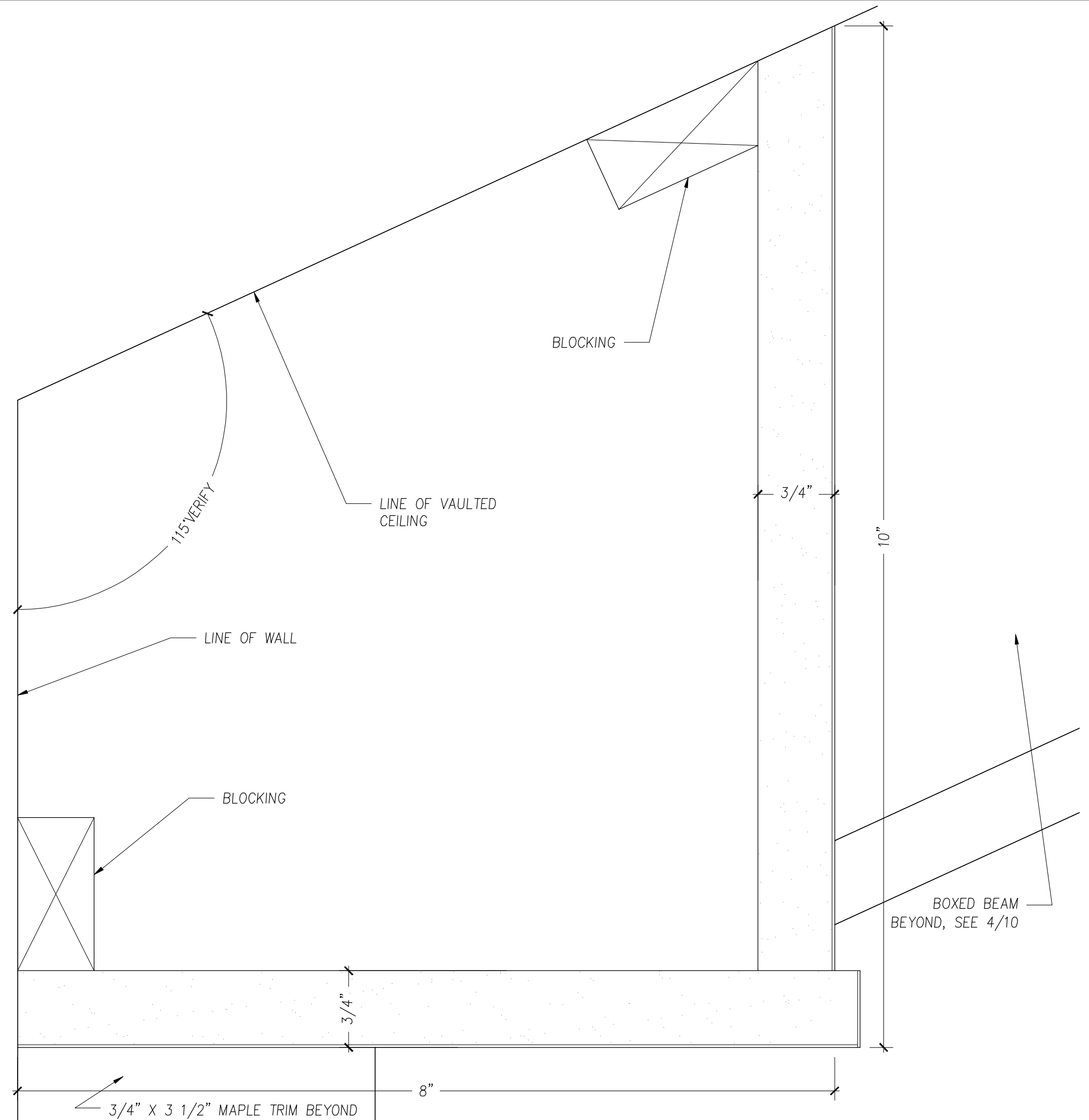
FURNISH ONLY



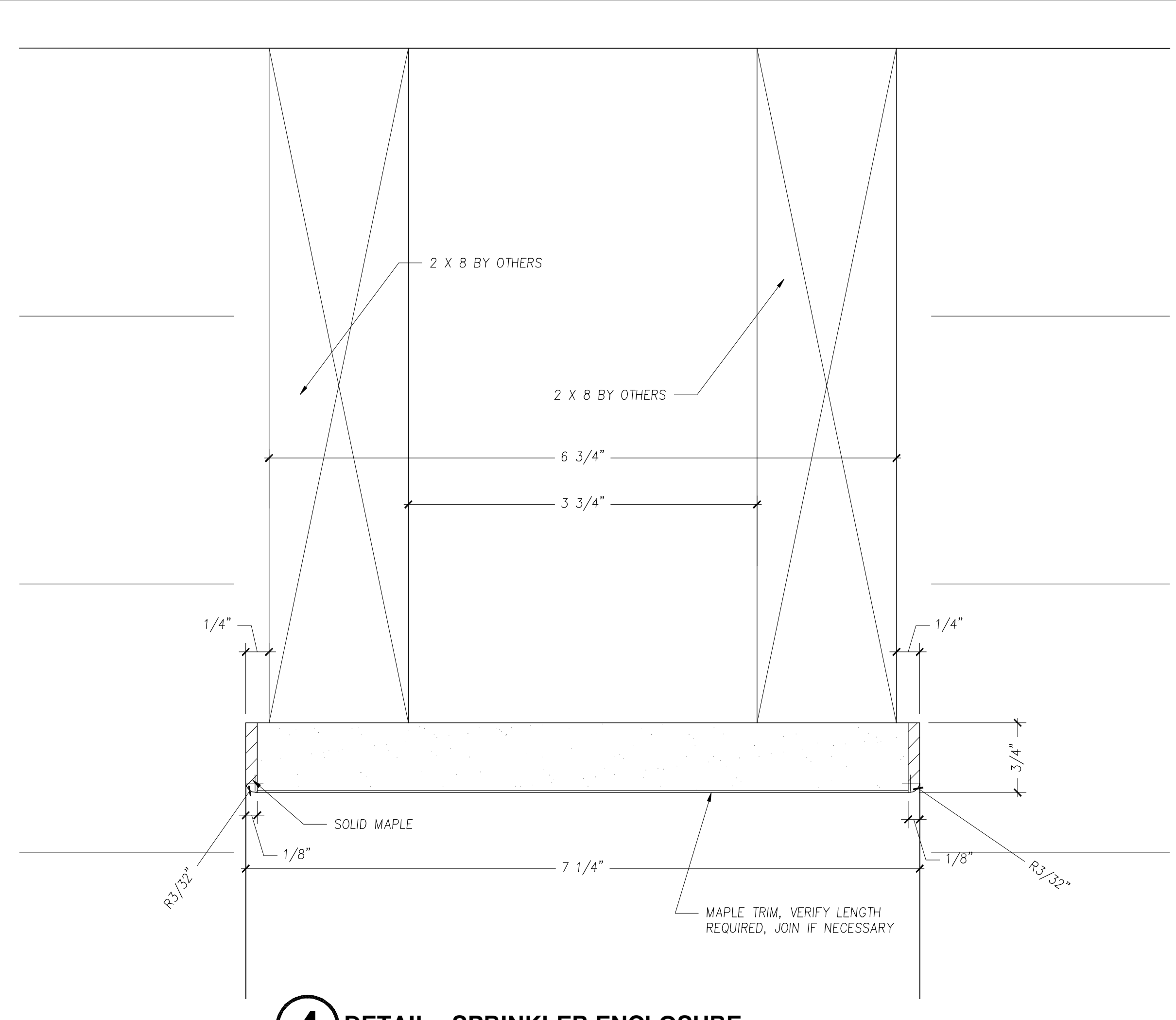
1 TYPICAL PANEL REVEAL DETAIL
Scale: Full Size



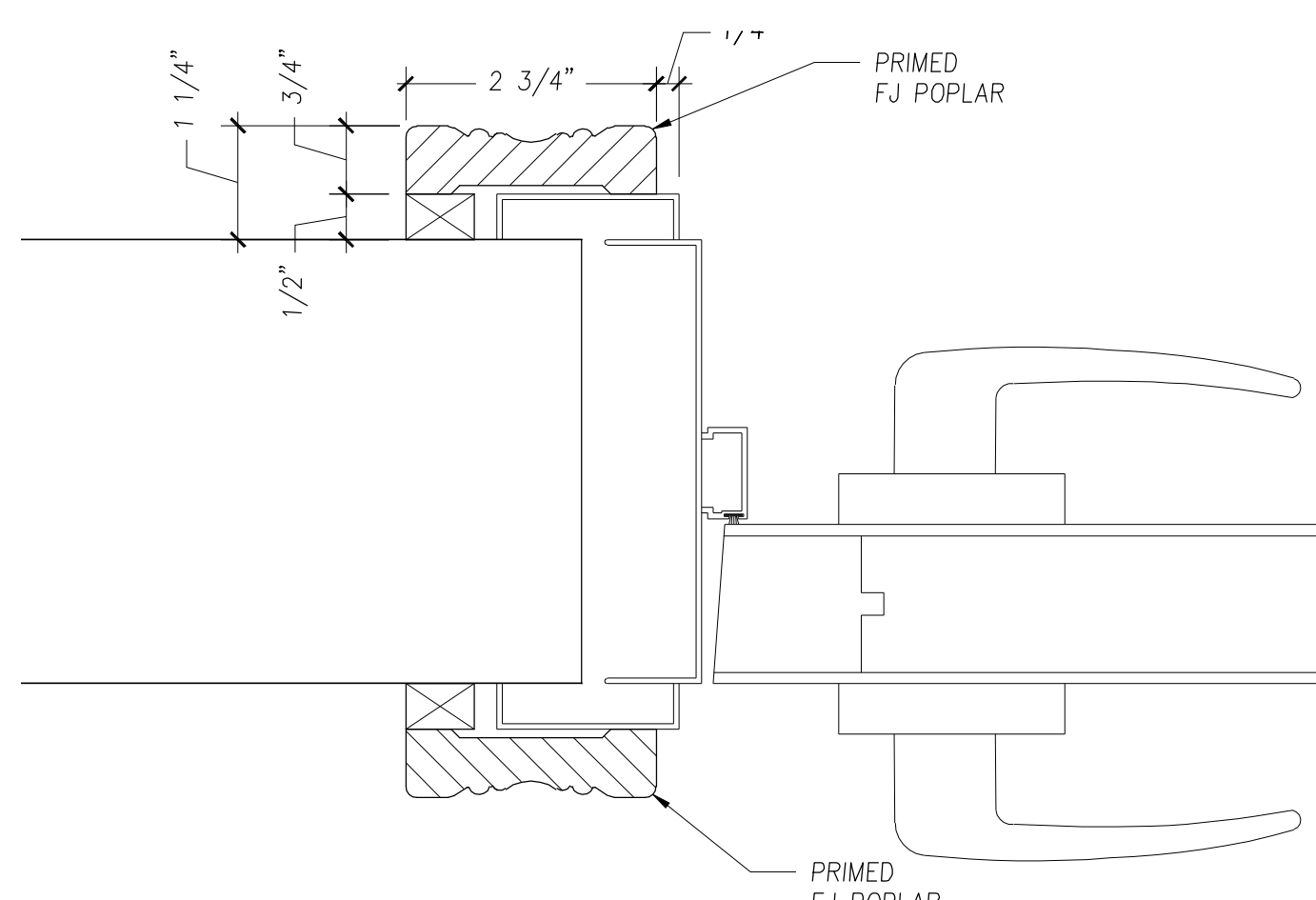
2 CASING AT CASED OPENING OR BY-PASS
Scale: Full Size



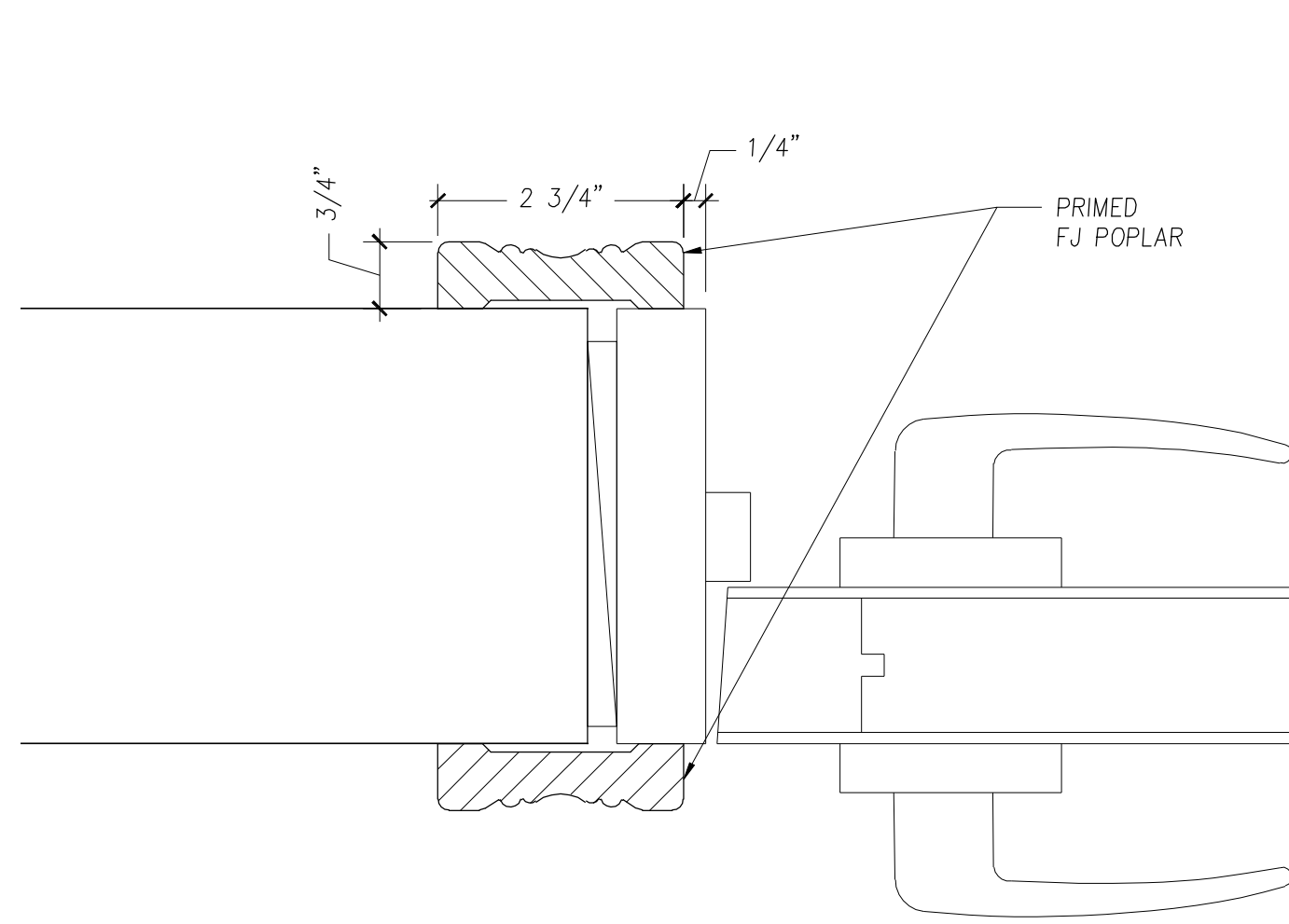
3 DETAIL - BOX CROWN AT ATRIUM
Scale: Full Size



4 DETAIL - SPRINKLER ENCLOSURE
Scale: Full Size

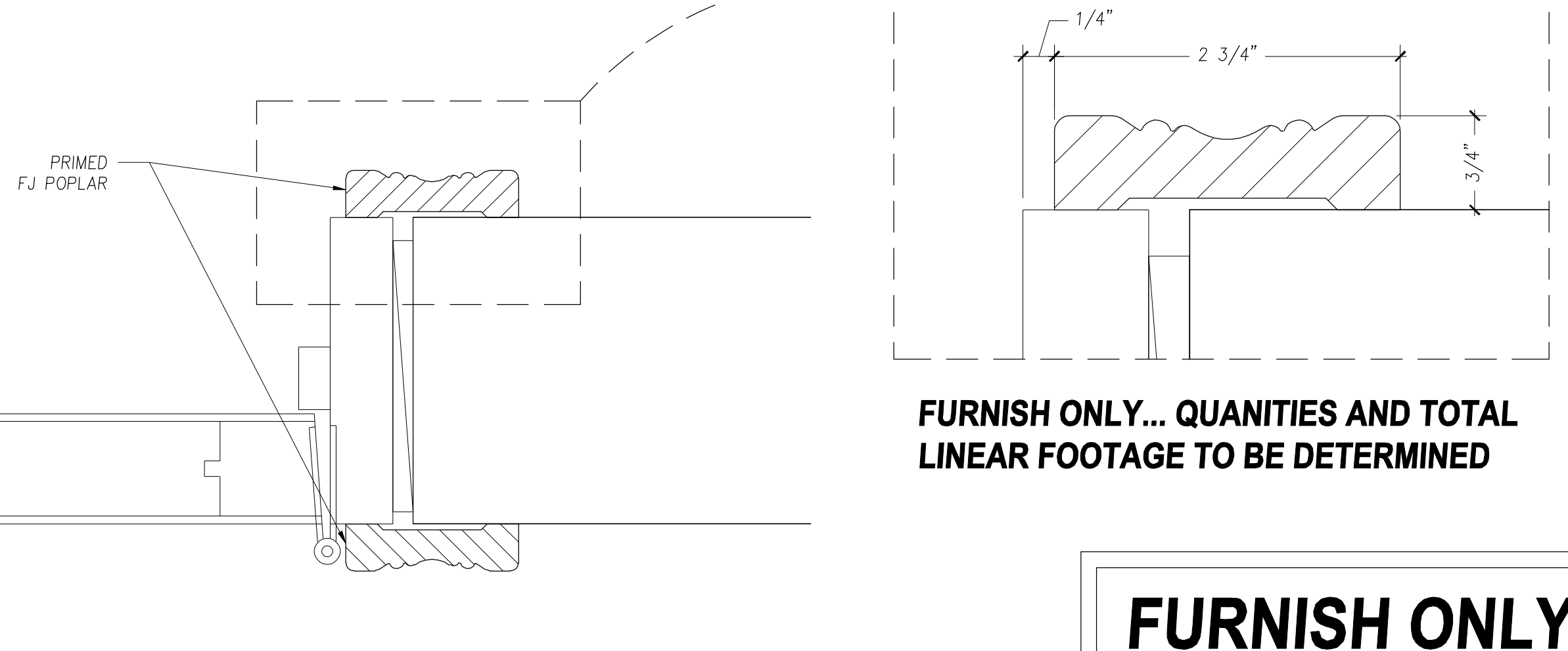
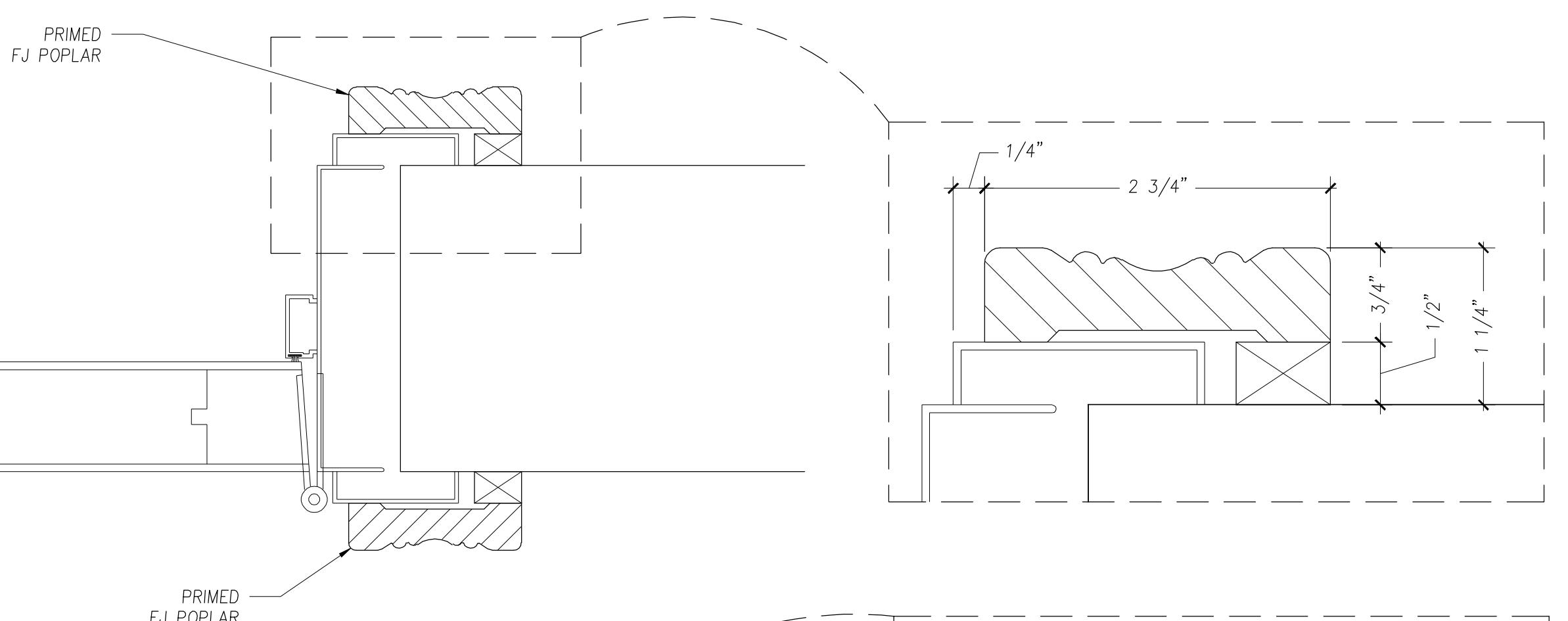


CORRIDOR SIDE



ROOM SIDE

5 CASING AT HOLLOW METAL FRAMES B.O.
Scale: 6"=1'-0"



DOORS INSIDE SUITES

6 CASING AT WOOD JAMBS BY OTHERS
Scale: 6"=1'-0"

FURNISH ONLY... QUANTITIES AND TOTAL LINEAR FOOTAGE TO BE DETERMINED

FURNISH ONLY

