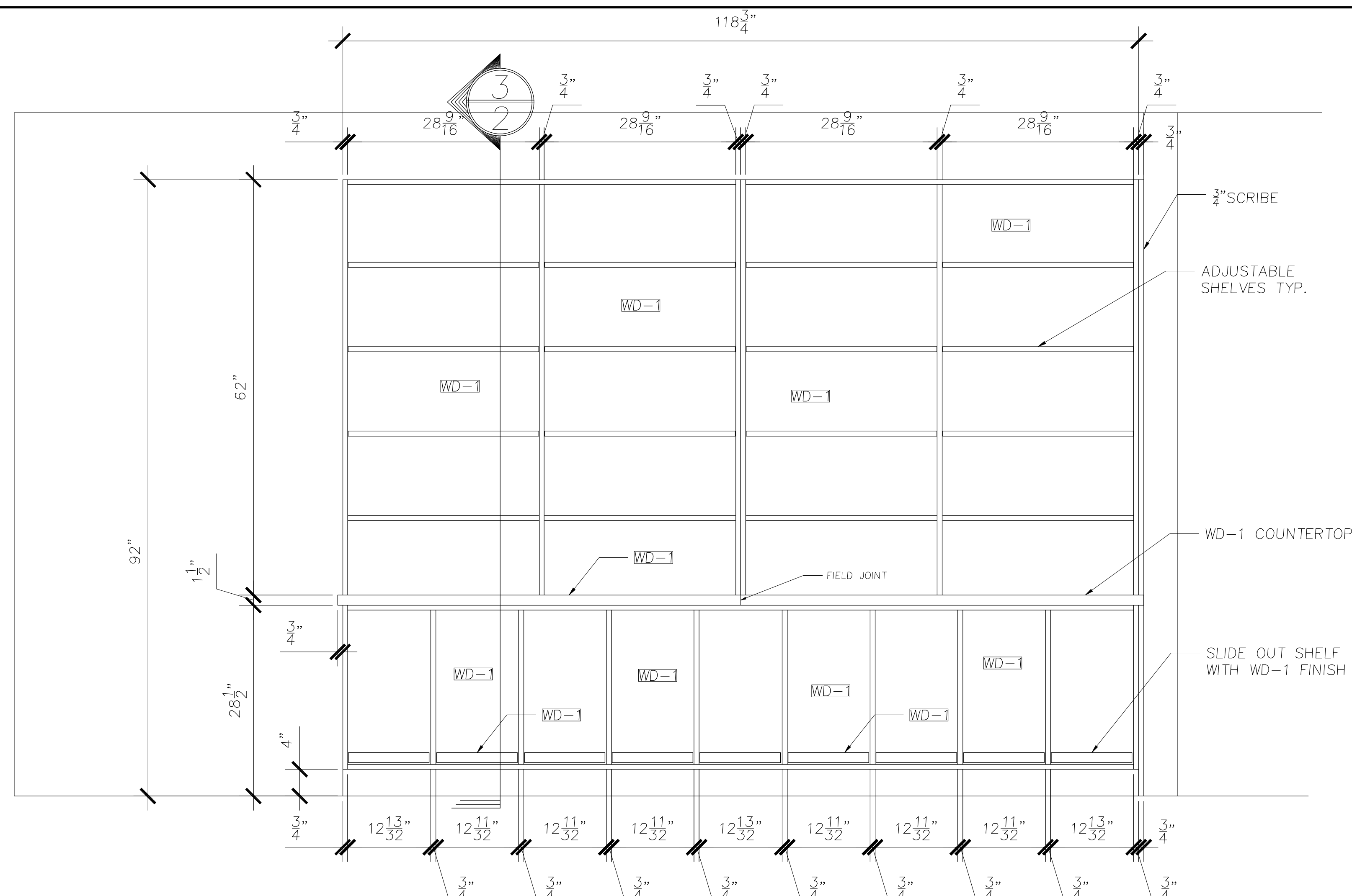
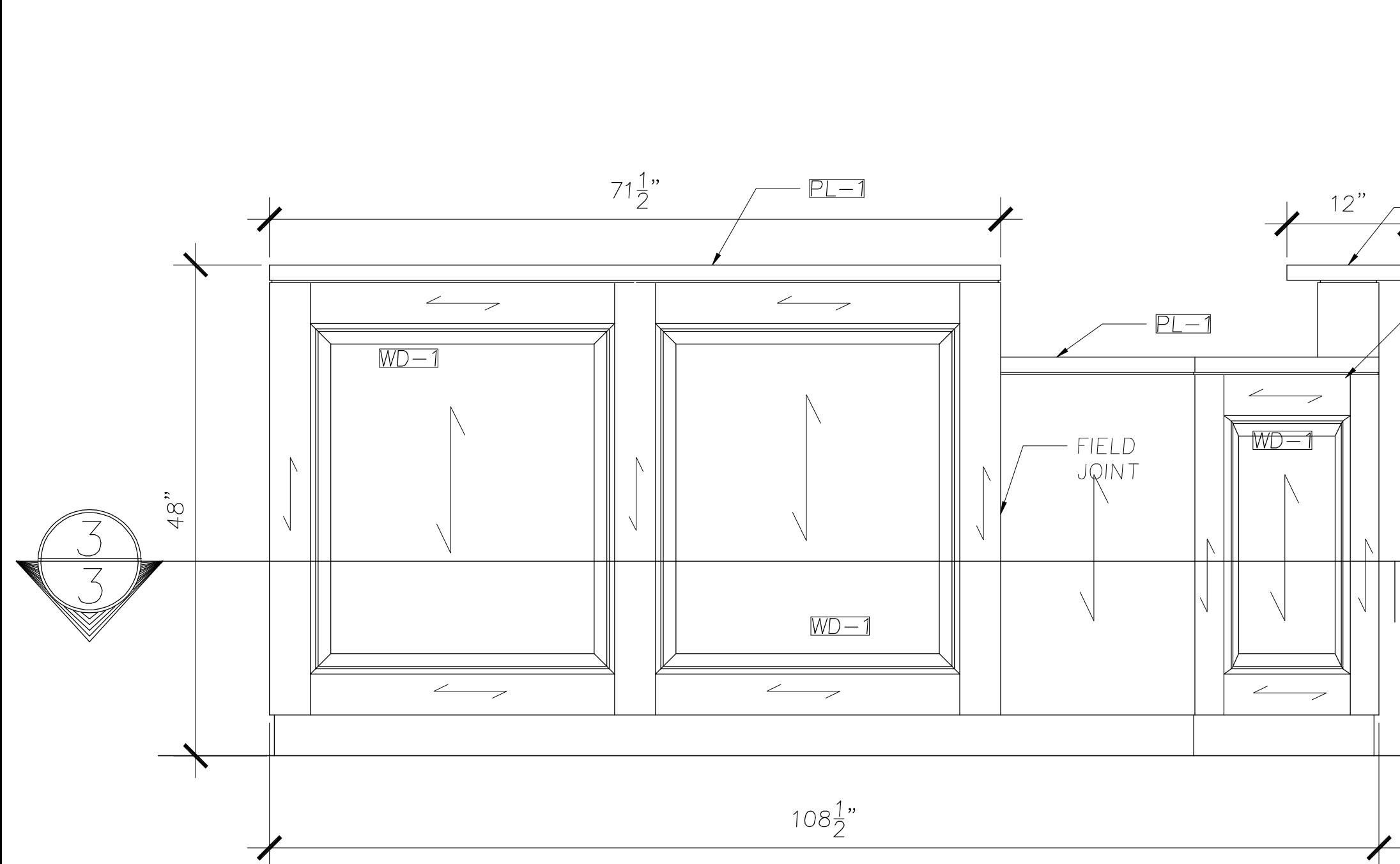


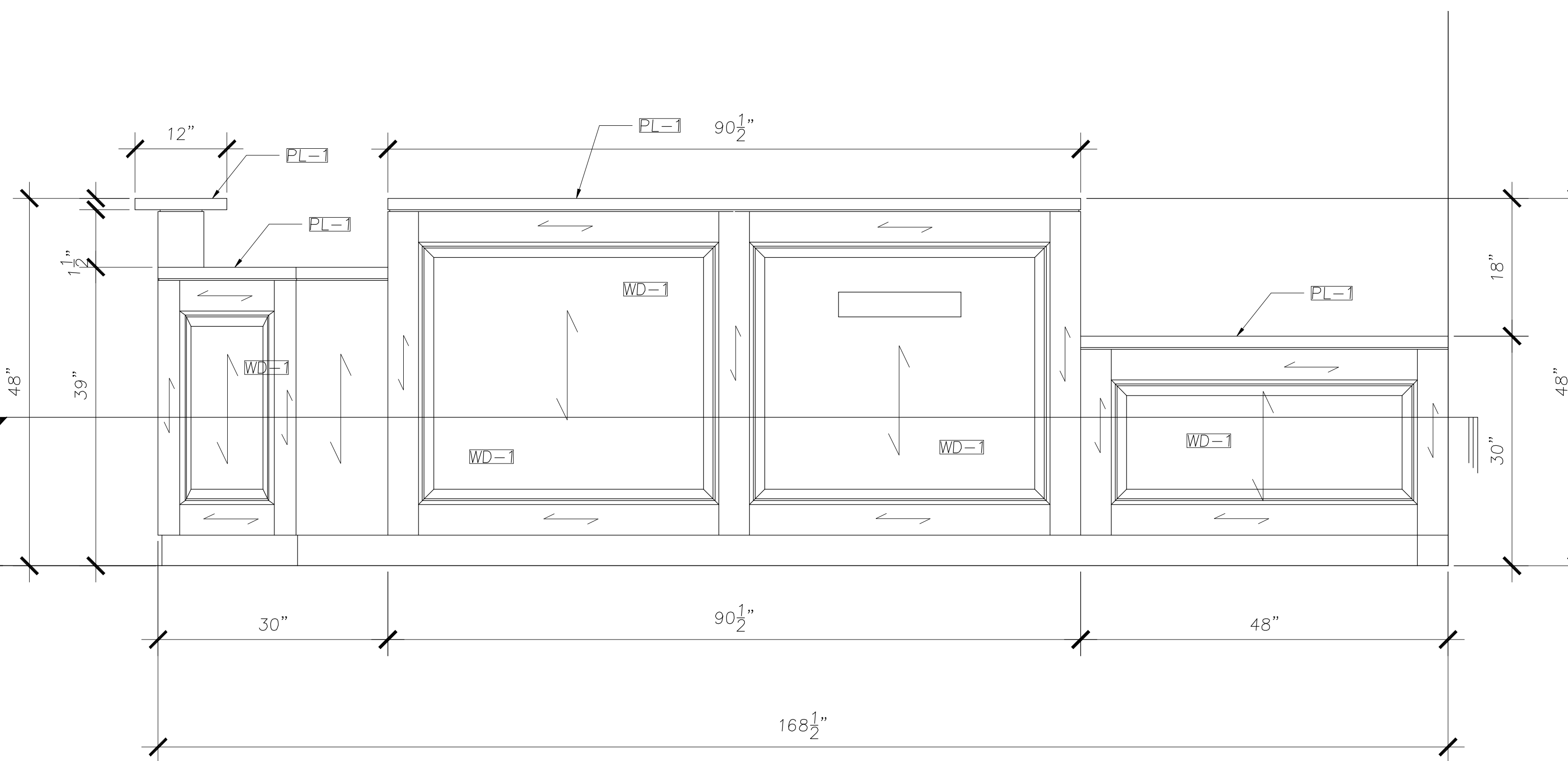
1 FLOOR PLAN - CIRCULATION DESK
 1 SCALE 1/2" = 1'-0"



2 ELEVATION - BOOK CASE/CAB.
 1 SCALE 1" = 1'-0"



3 ELEVATION - CIRCULATION DESK
 1 SCALE 1" = 1'-0"



4 ELEVATION - CIRCULATION DESK
 1 SCALE 1" = 1'-0"

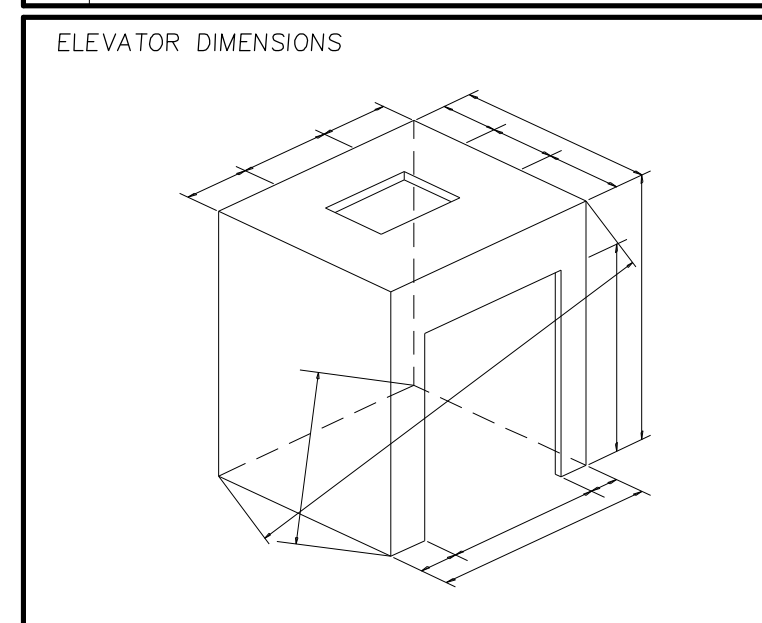
GENERAL NOTES

FINISHES

WD-1	RED OAK CLEAR FINISH
PL-1	WILSONART - CASTLE OAK

APPLIANCES

EXCLUSIONS



HARDWARE AND SPECIAL ITEMS

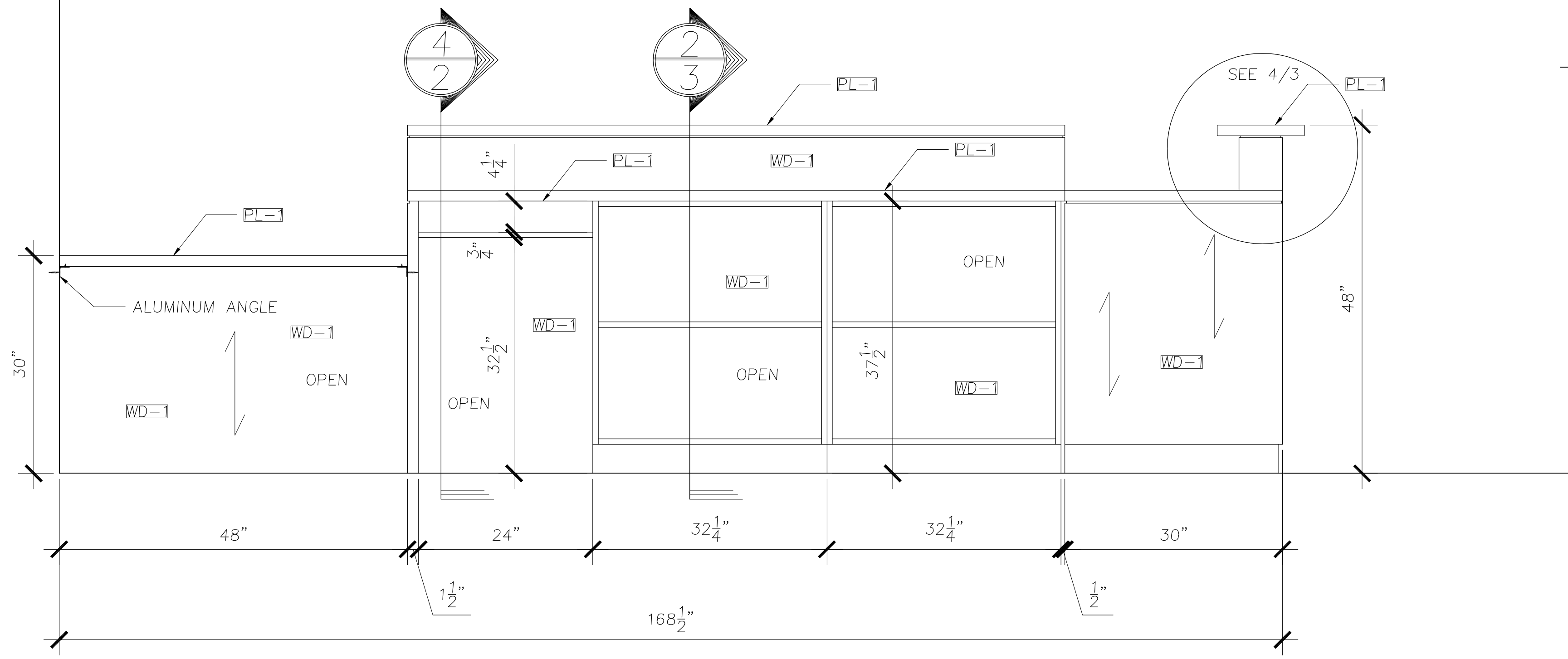
SYM	DESCRIPTION	NO	SIZE	FIN	QTY

NO	DATE	REVISIONS	ARCH/CONT/SHOP/FIELD
1	8/15/11	NOTED REVISIONS	
2	8/22/11	ARCHITECT'S REDLINES	

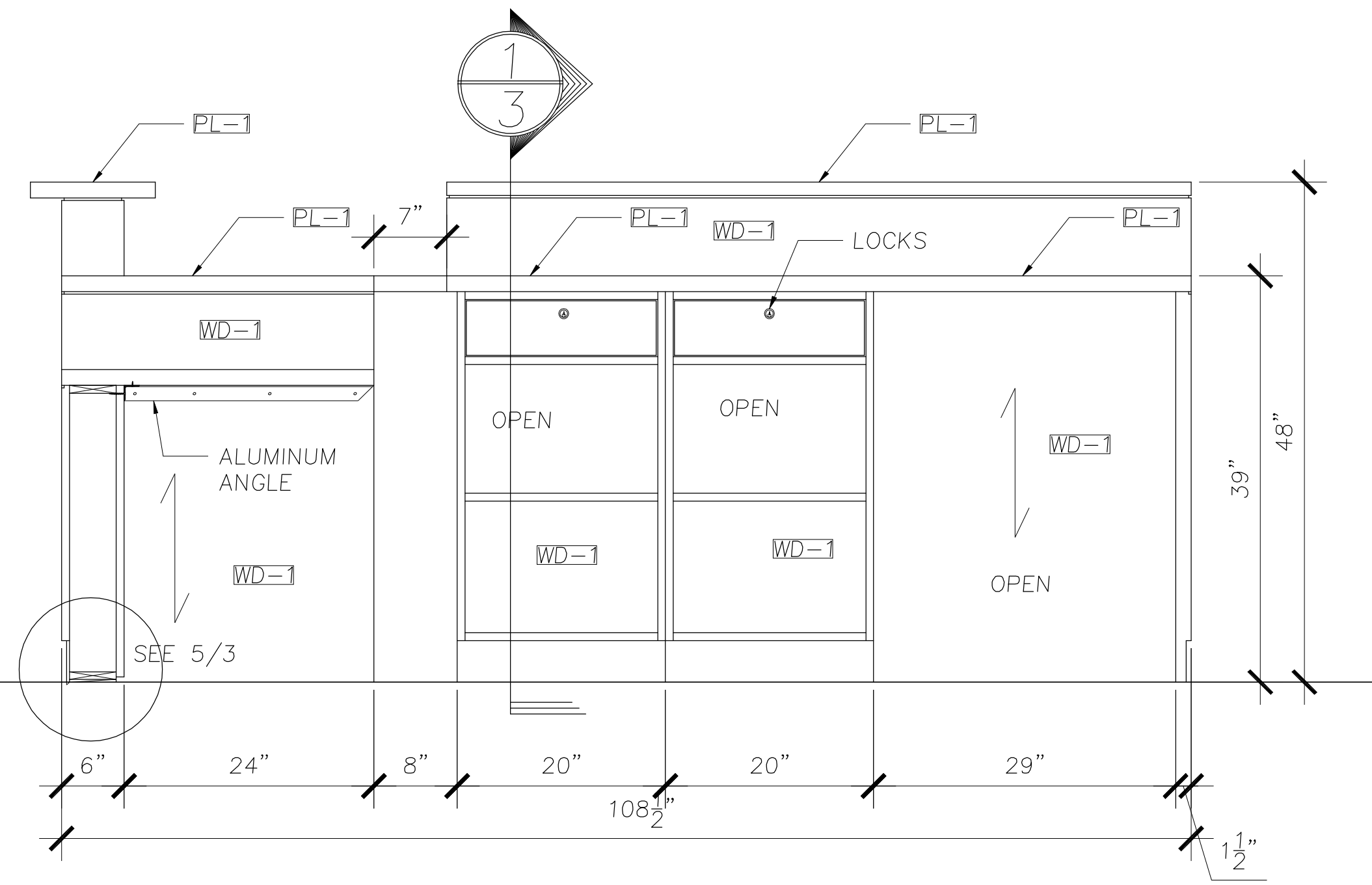
PROJECT: **BLODGETT LIBRARY**
 LOCATION: 37 BROAD STREET
 FISHKILL, NY 12524

CONTRACTOR:
 ARCHITECT:
 TITLE: **CIRCULATION DESK
 ELEVATIONS, SECTIONS**

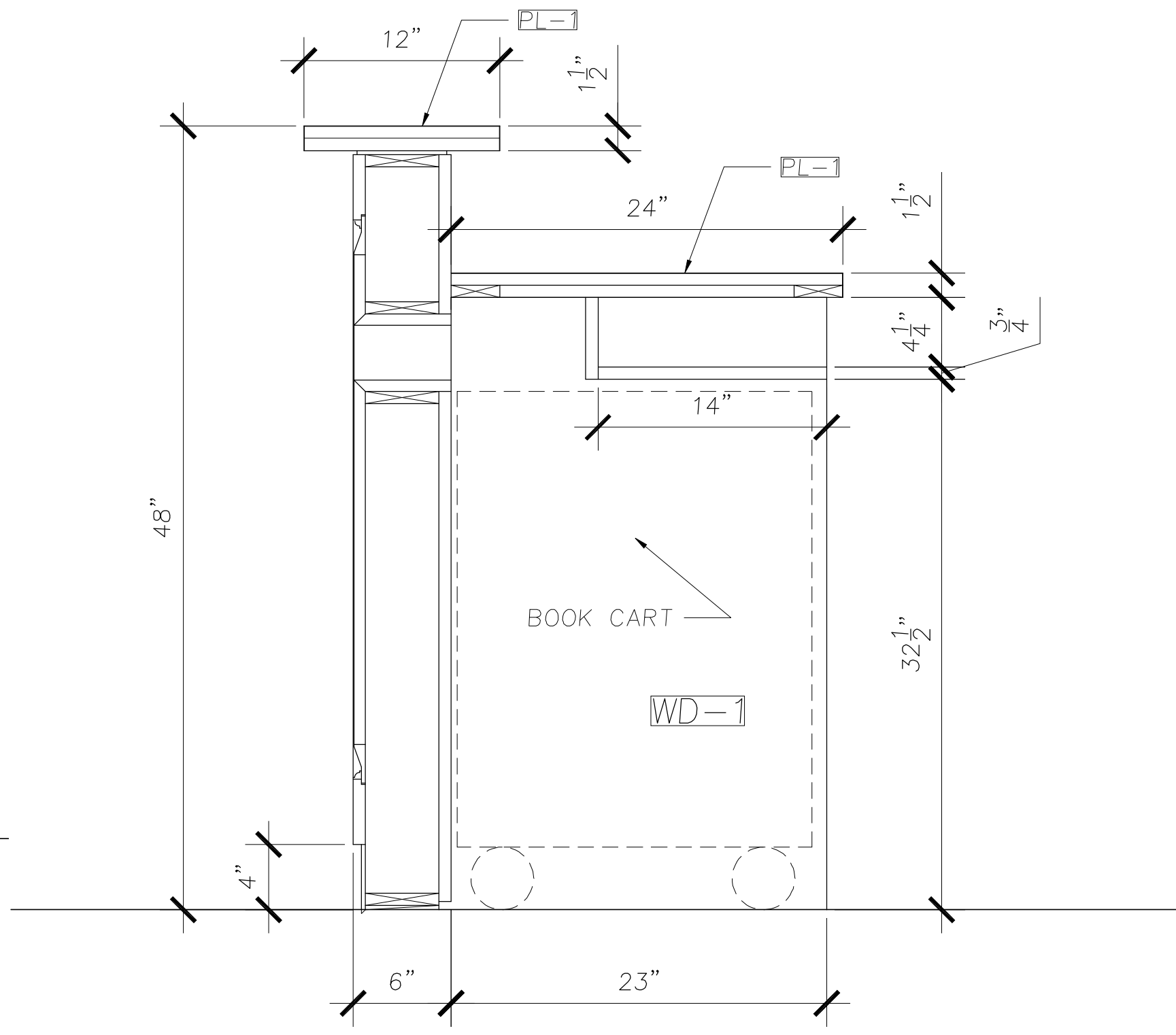
DRW BY: GWM	SCALE: AS NOTED	PROJECT NO:	DRAWING NO: 1.01
REF: ENG	DATE: 8/15/11		



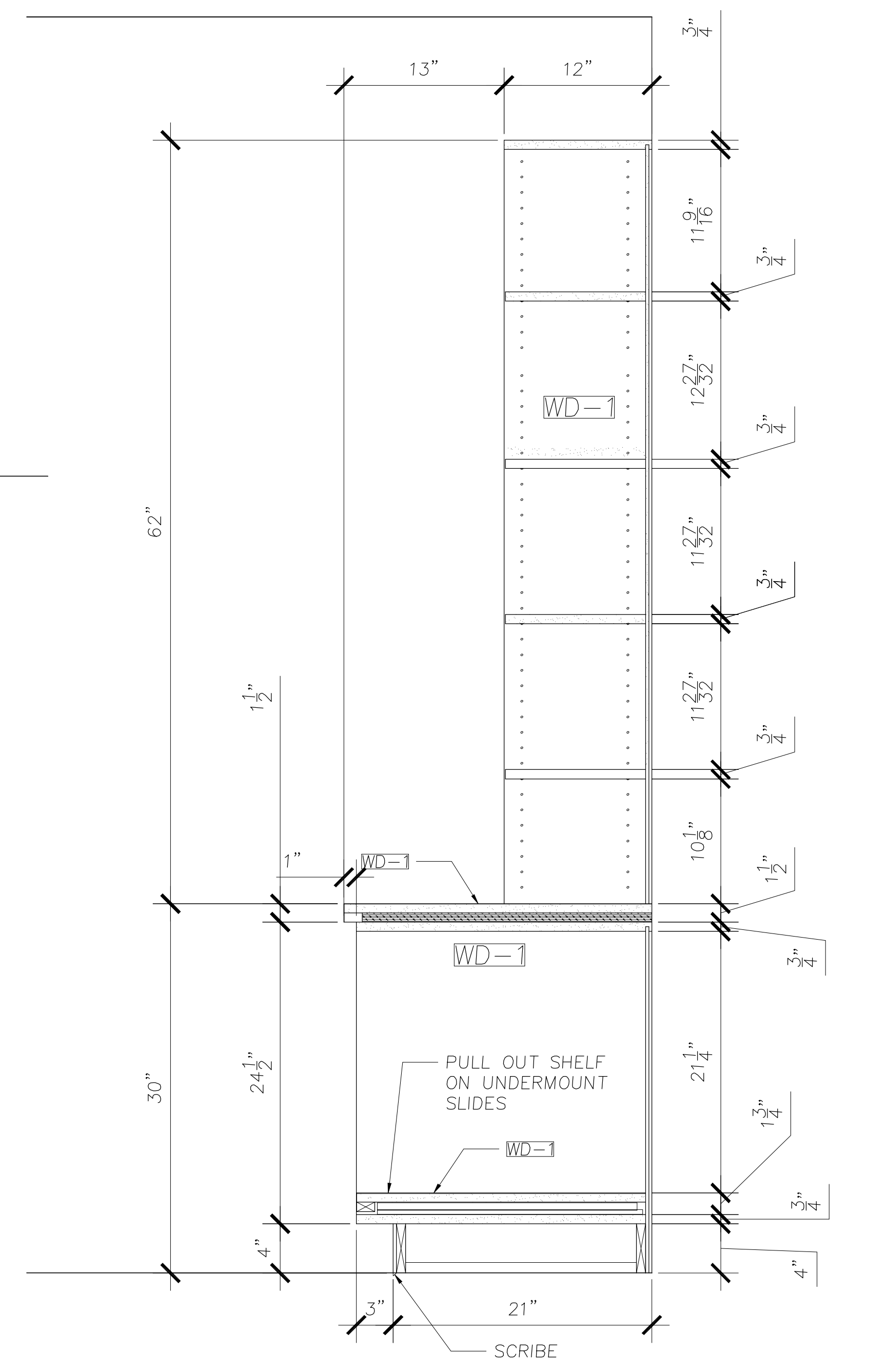
① ELEVATION – CIRCULATION DESK
 ② SCALE 1"=1'-0"



② ELEVATION – CIRCULATION DESK
 ② SCALE 1"=1'-0"



④ SECTION – CIRCULATION DESK
 ② SCALE 1 1/2"=1'-0"



③ SECTION – BOOK CASE
 ② SCALE 1 1/2"=1'-0"

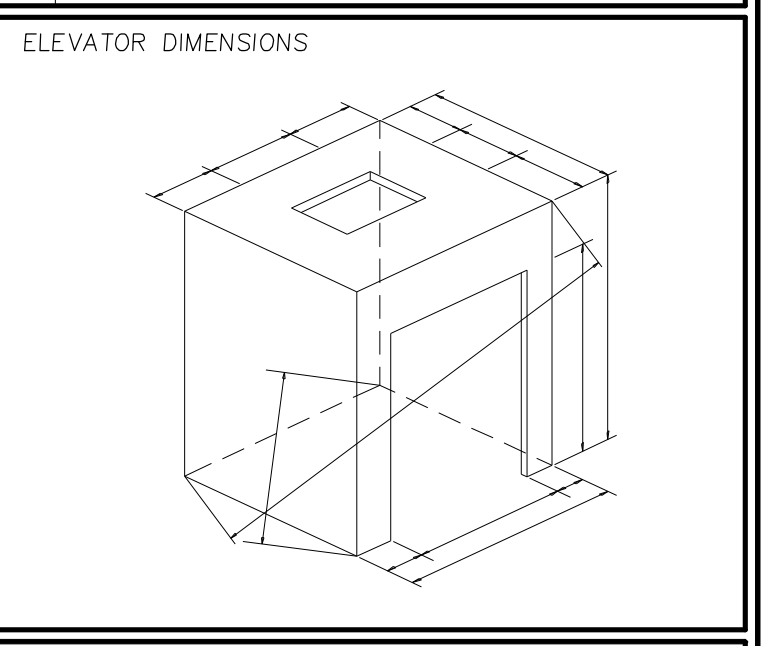
GENERAL NOTES

FINISHES

WD-1	RED OAK CLEAR FINISH
PL-1	WILSONART – CASTLE OAK

APPLIANCES

EXCLUSIONS



HARDWARE AND SPECIAL ITEMS

SYM	DESCRIPTION	NO	SIZE	FIN	QTY

NO	DATE	REVISIONS	ARCH/CONT/SHOP/FIELD
1	8/15/11	NOTED REVISIONS	
2	8/22/11	ARCHITECT'S REDLINES	

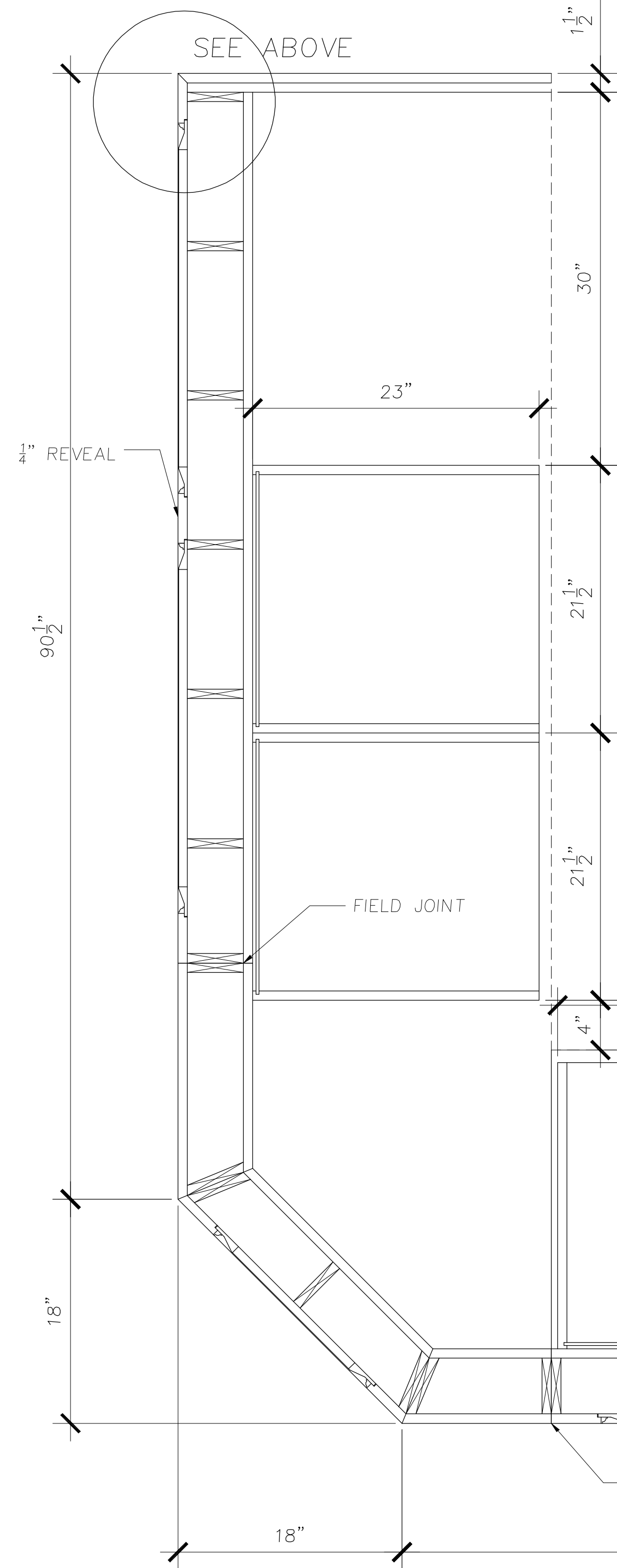
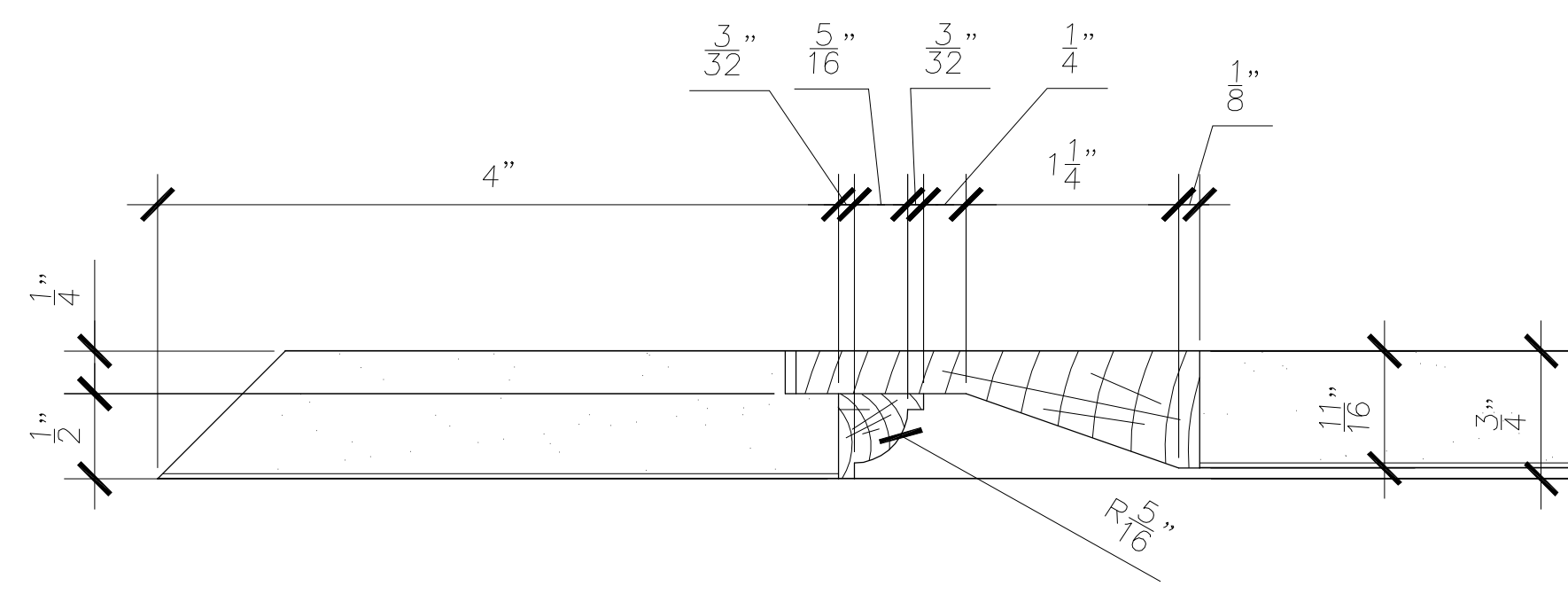
PROJECT: BLODGETT LIBRARY
 LOCATION: 37 BROAD STREET
 FISHKILL, NY 12524

CONTRACTOR:

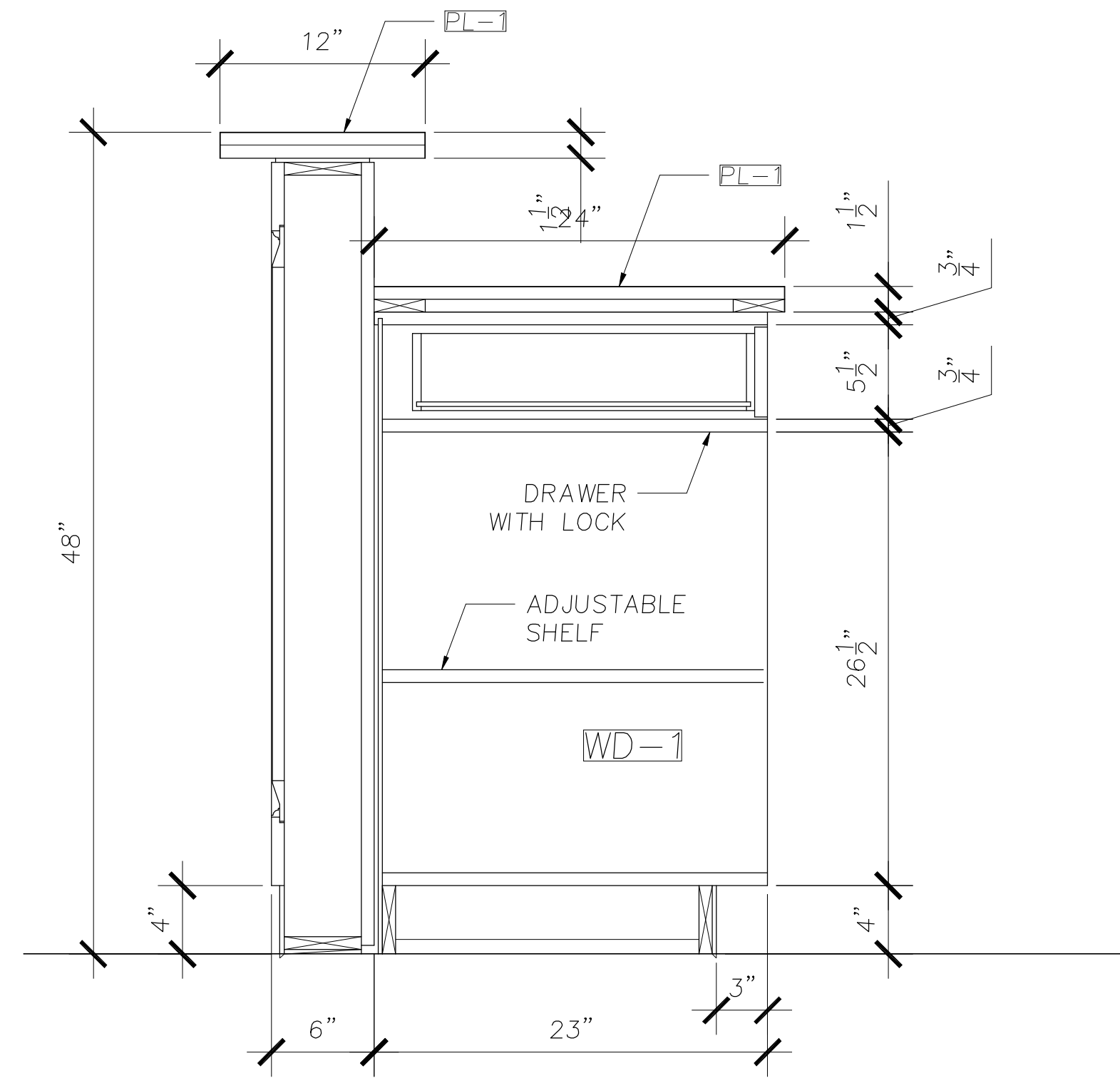
ARCHITECT:

TITLE: CIRCULATION DESK
 ELEVATIONS, SECTIONS

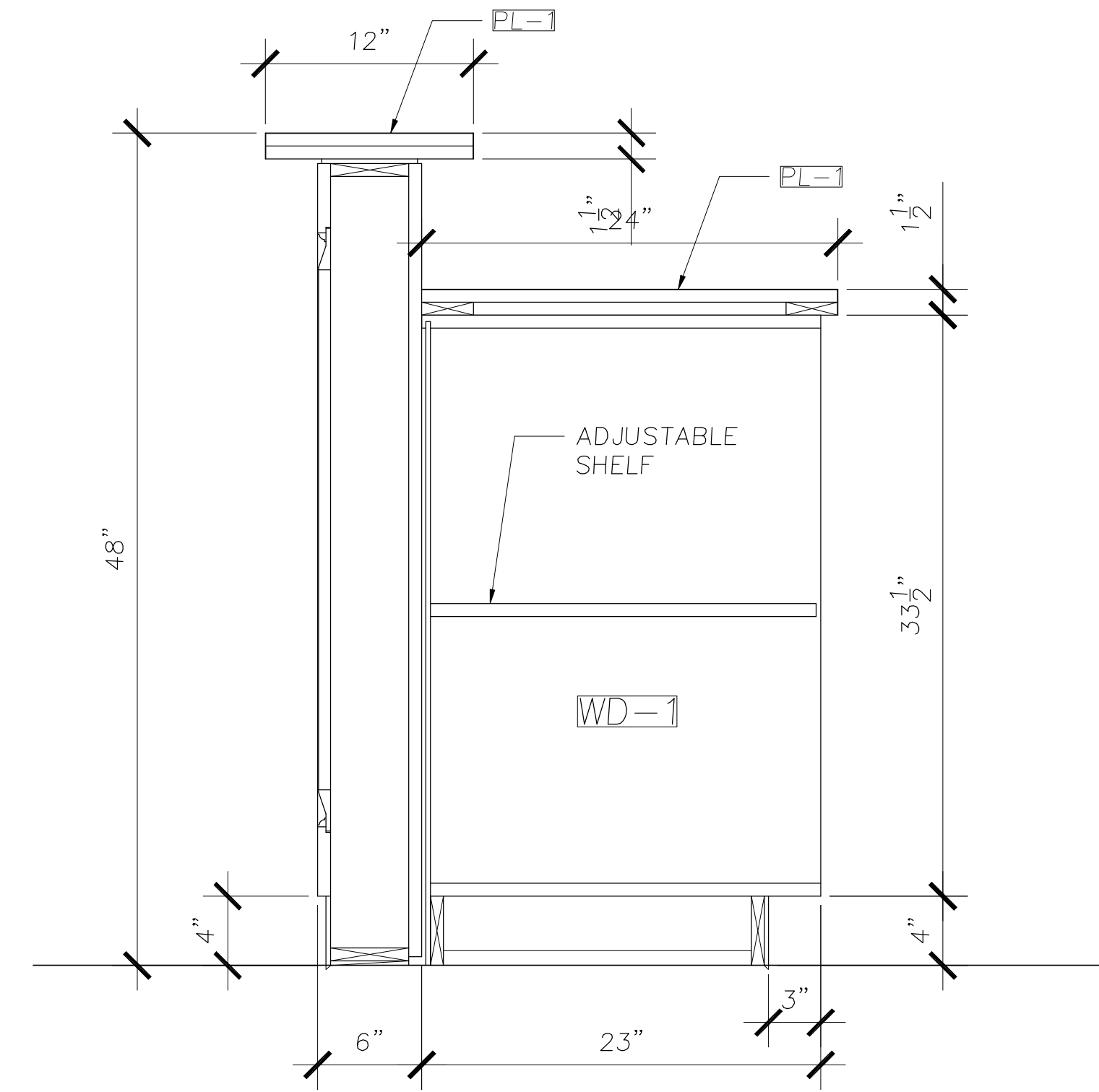
DRW BY: GWM	SCALE: AS NOTED	PROJECT NO:	DRAWING NO: 1.02
REV ENG:	DATE: 8/15/11		



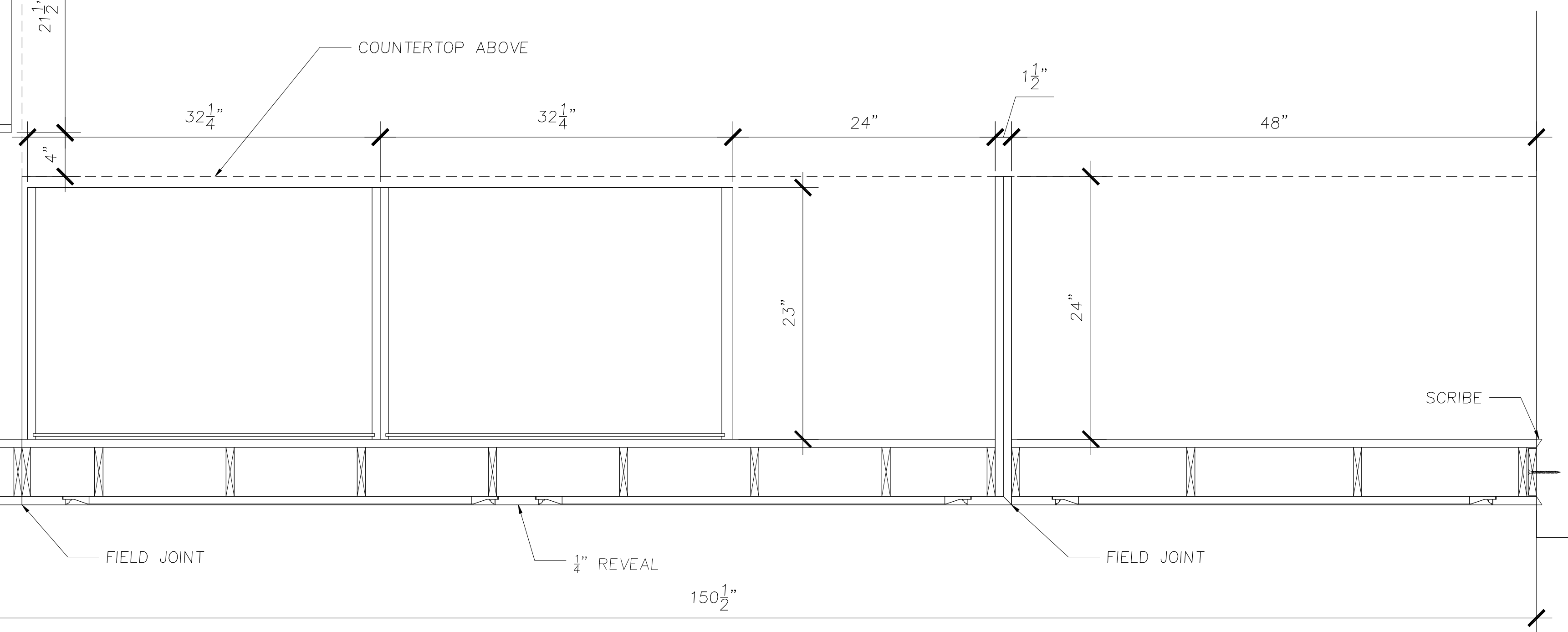
SECTION - CIRCULATION DESK
SCALE 1 1/2" = 1'-0"



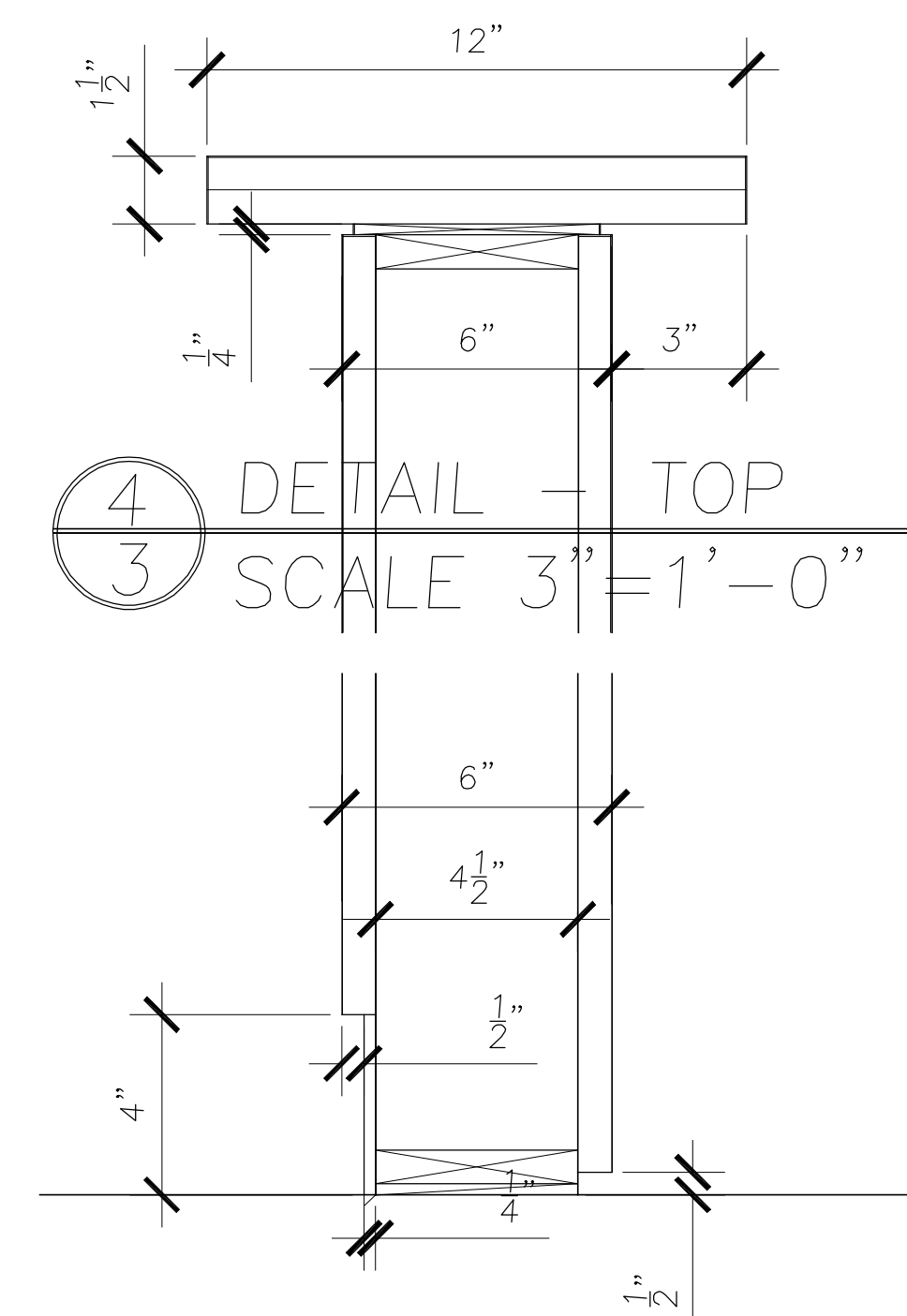
SECTION - CIRCULATION DESK
SCALE 1 1/2" = 1'-0"



SECTION - CIRCULATION DESK
SCALE 1 1/2" = 1'-0"



SECTION - CIRCULATION DESK
SCALE 1 1/2" = 1'-0"



DETAIL - TOP
SCALE 3" = 1'-0"

DETAIL - BASE
SCALE 3" = 1'-0"

GENERAL NOTES

FINISHES

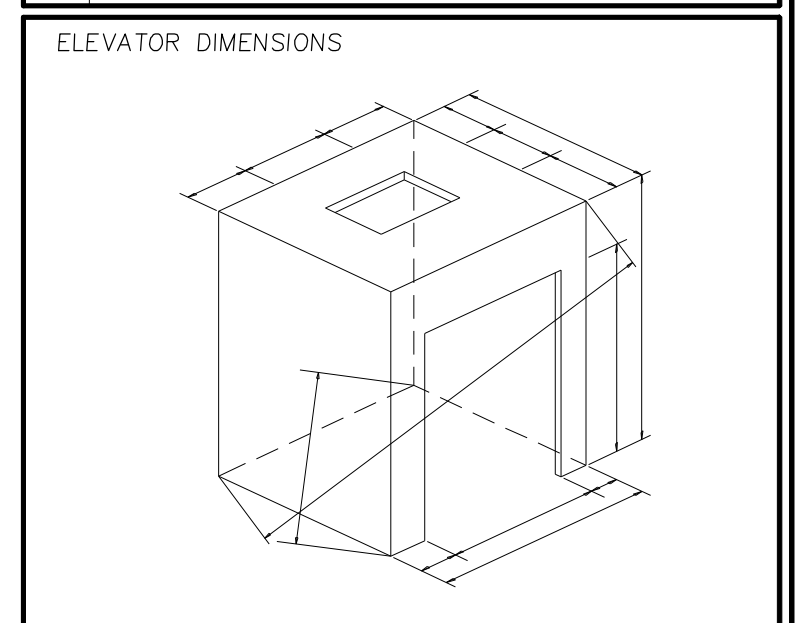
WD-1	RED OAK CLEAR FINISH
PL-1	WILSONART - CASTLE OAK

APPLIANCES

--	--	--

EXCLUSIONS

--	--	--



HARDWARE AND SPECIAL ITEMS

SYM	DESCRIPTION	NO	SIZE	FIN	QTY

NO	DATE	REVISIONS	ARCH/CONT/SHOP/FIELD
1	8/15/11	NOTED REVISIONS	
2	8/22/11	ARCHITECT'S REDLINES	

PROJECT: BLODGETT LIBRARY
LOCATION: 37 BROAD STREET
FISHKILL, NY 12524

CONTRACTOR:
ARCHITECT:

TITLE: CIRCULATION DESK
ELEVATIONS, SECTIONS

DWG BY: GWM	SCALE: AS NOTED	PROJECT NO:	DRAWING NO: 1.03
REV ENG:	DATE: 8/15/11		