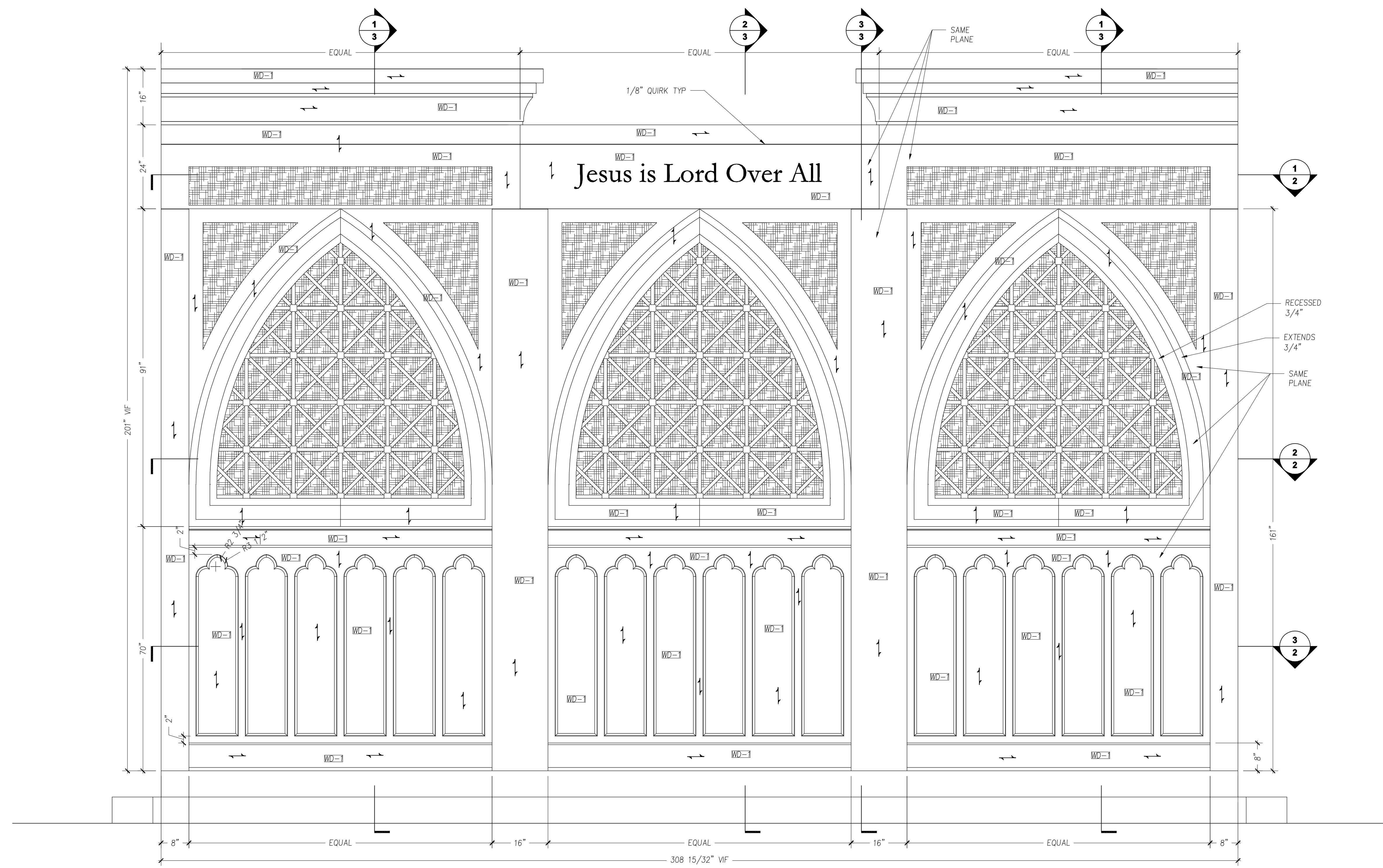


1 FLOOR PLAN - CHANCEL
Scale: 1/2"=1'-0"



2 ELEVATION - PANELING ORGAN CHAMBER
Scale: 3/4"=1'-0"



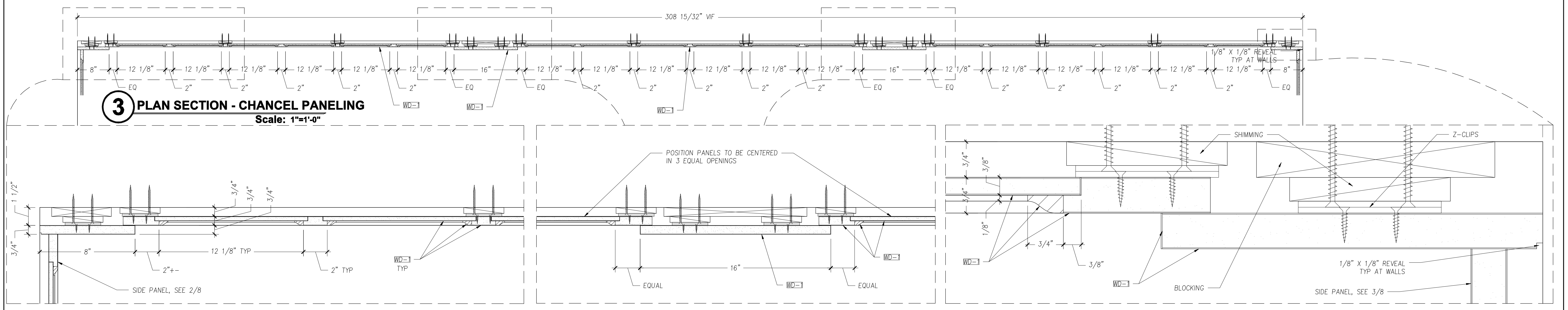
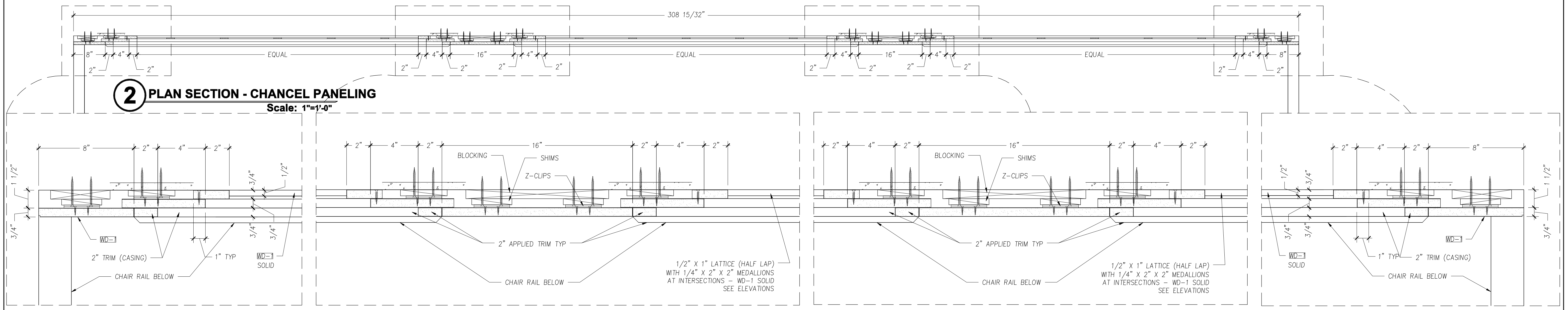
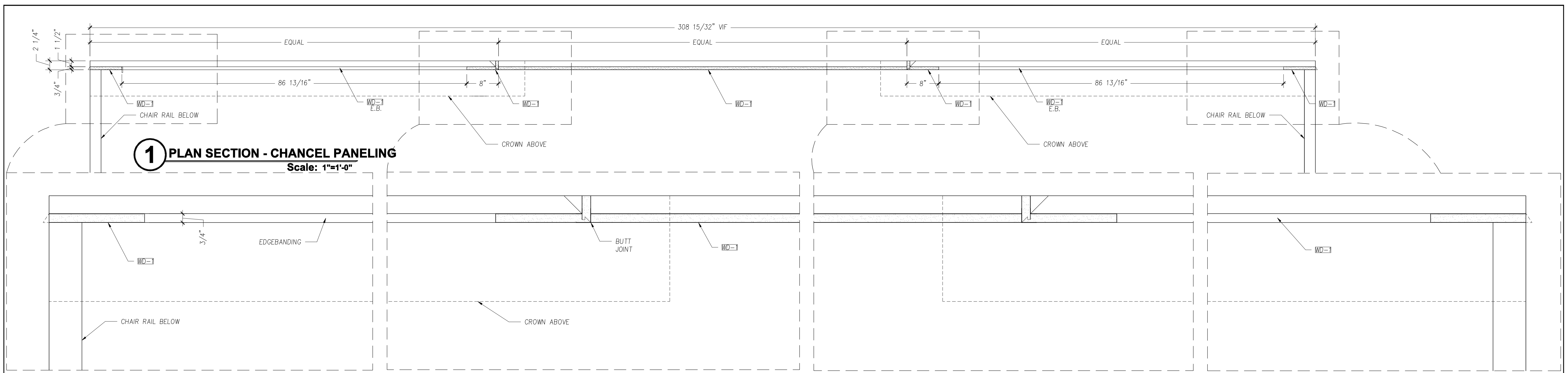
CENTENARY UNITED METHODIST CHURCH
NEW WORSHIP AND EDUCATION CENTER
1441 PERRYVILLE ROAD
DANVILLE, KENTUCKY 40422

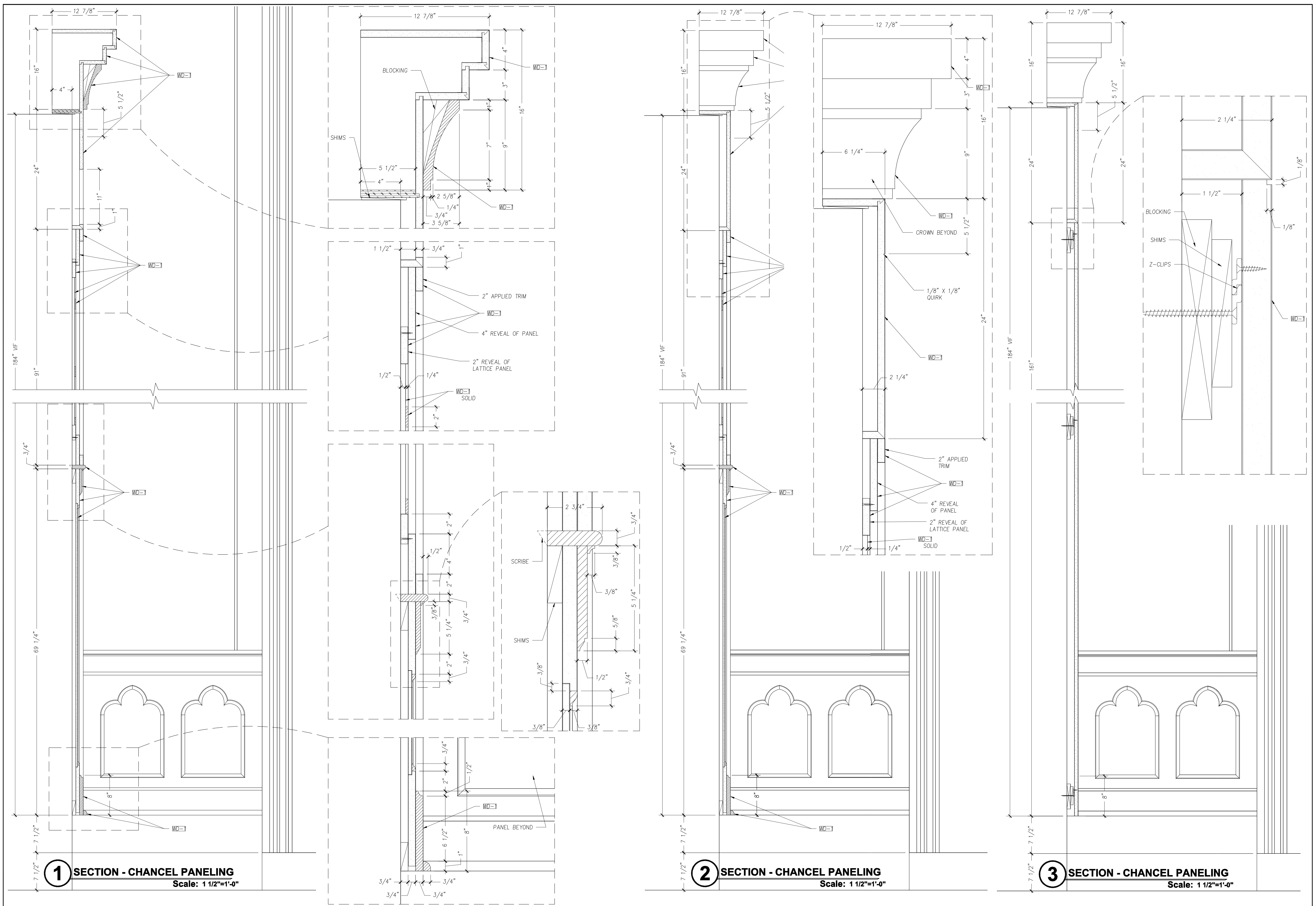
SHOP DRAWINGS

| | |
|---------|---------|
| JOB NO. | |
| DATE | 3/12/12 |
| DRAWN | GM |
| CHECKED | -- |

| REVISIONS |
|-----------|
| |
| |
| |
| |

SHEET
1.01





1 SECTION - CHANCEL PANELING
Scale: 1 1/2"=1'-0"

2 SECTION - CHANCEL PANELING
Scale: 1 1/2"=1'-0"

3 SECTION - CHANCEL PANELING
Scale: 1 1/2"=1'-0"



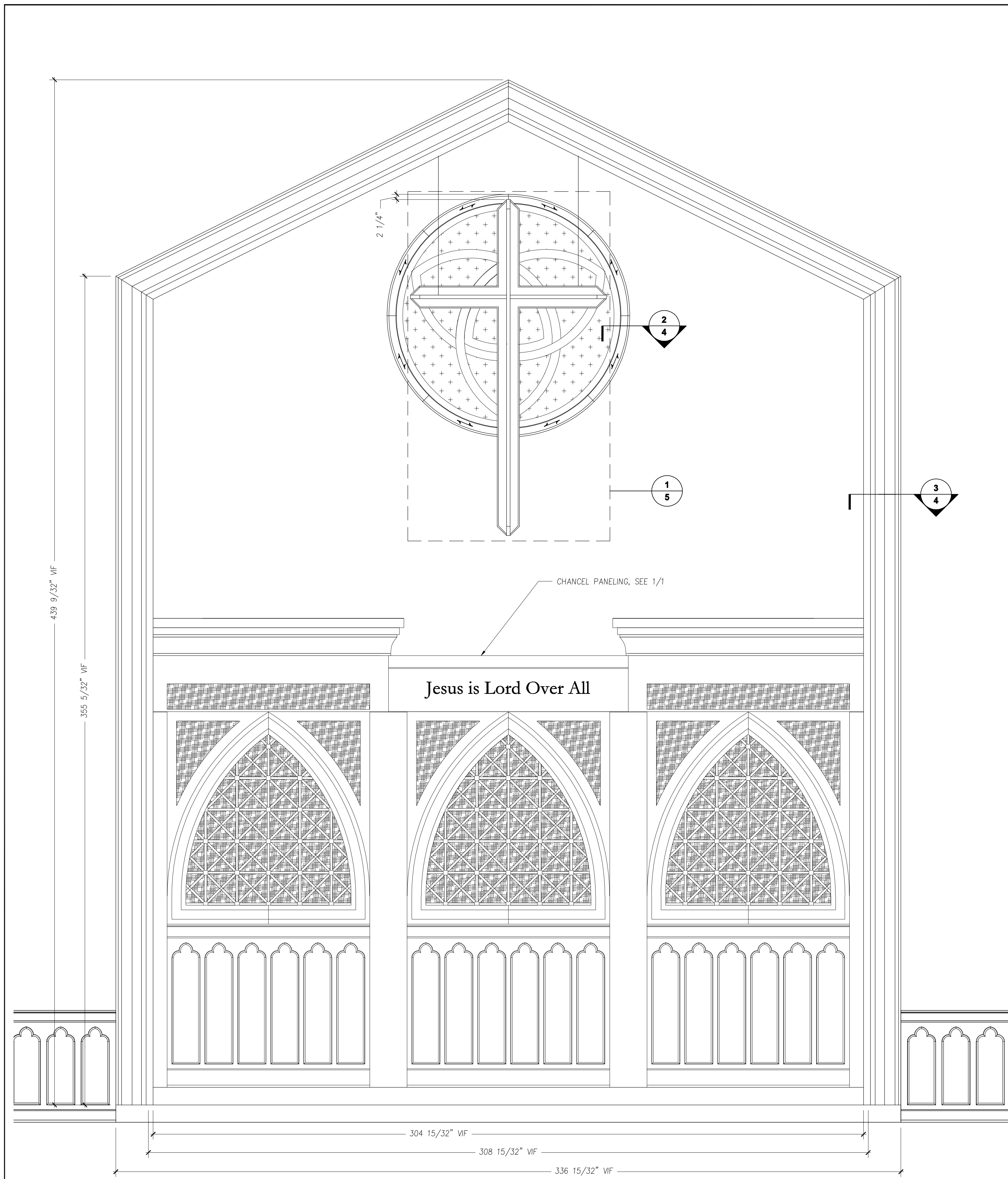
CENTENARY UNITED METHODIST CHURCH
NEW WORSHIP AND EDUCATION CENTER
1441 PERRYVILLE ROAD
DANVILLE, KENTUCKY 40422

SHOP DRAWINGS

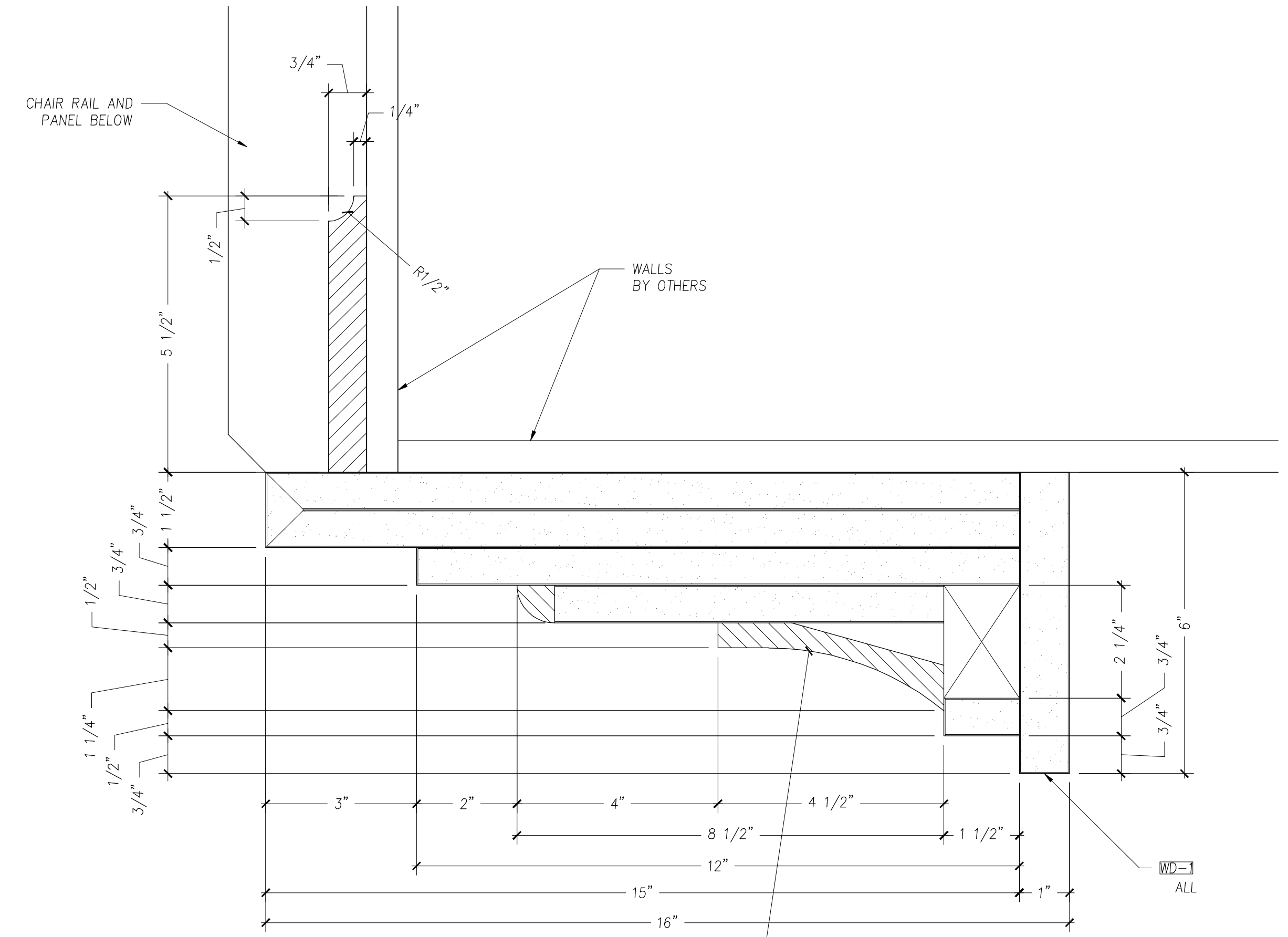
| | |
|---------|---------|
| JOB NO. | |
| DATE | 3/12/12 |
| DRAWN | GM |
| CHECKED | -- |

| |
|-----------|
| REVISIONS |
| |
| |
| |

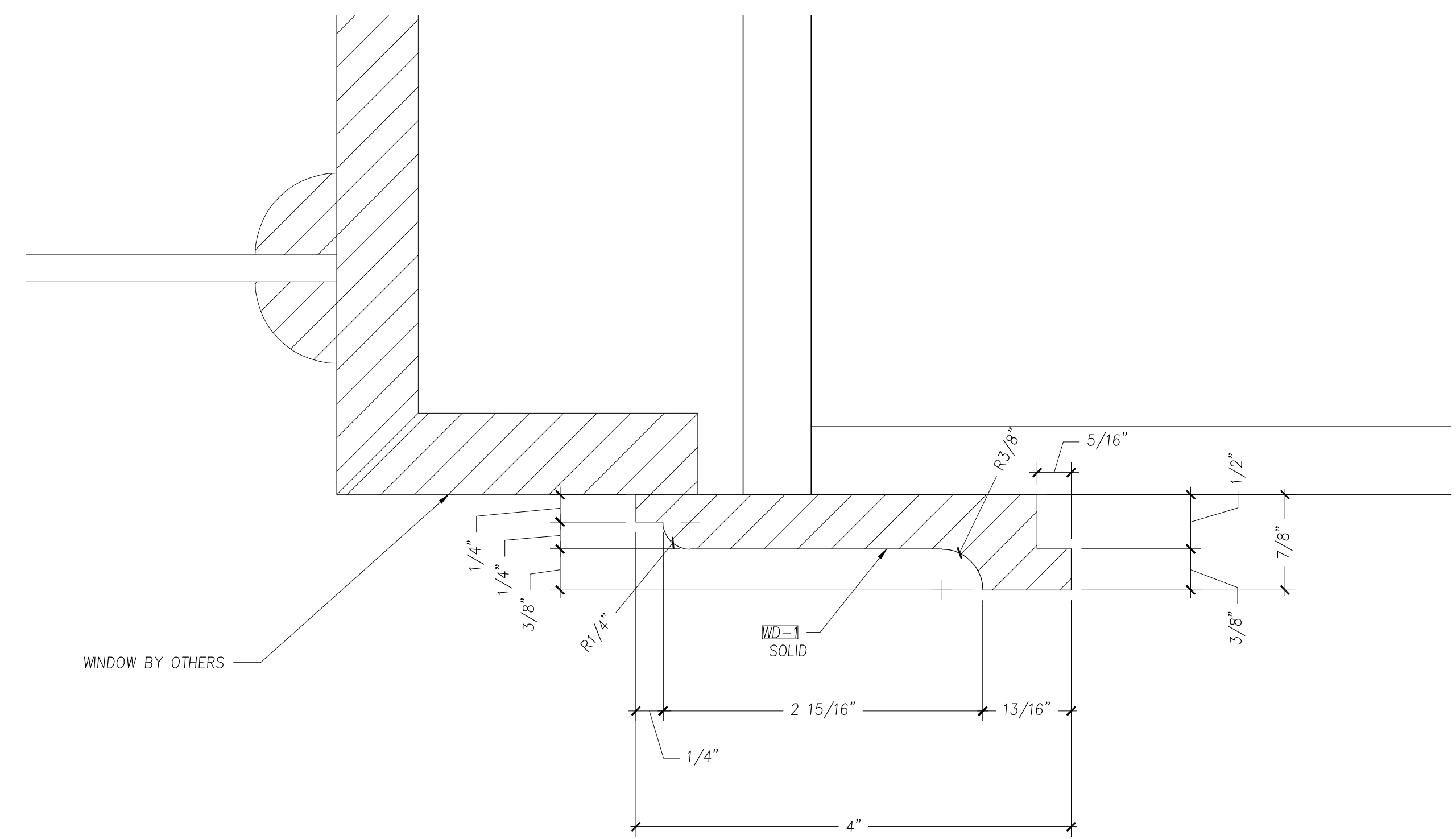
SHEET
1.03



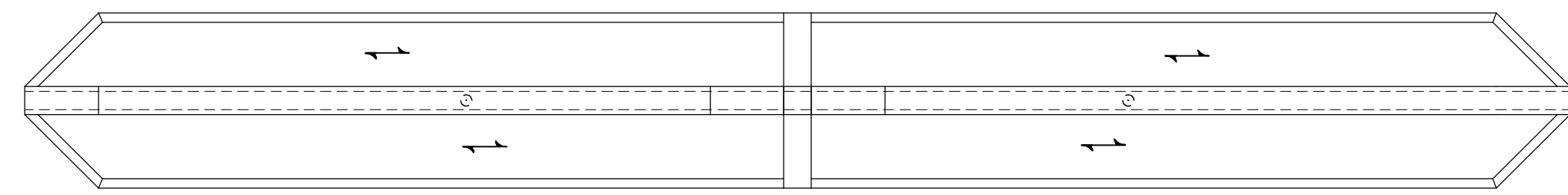
1 ELEVATION - CHANCEL
 Scale: 1/2"=1'-0"



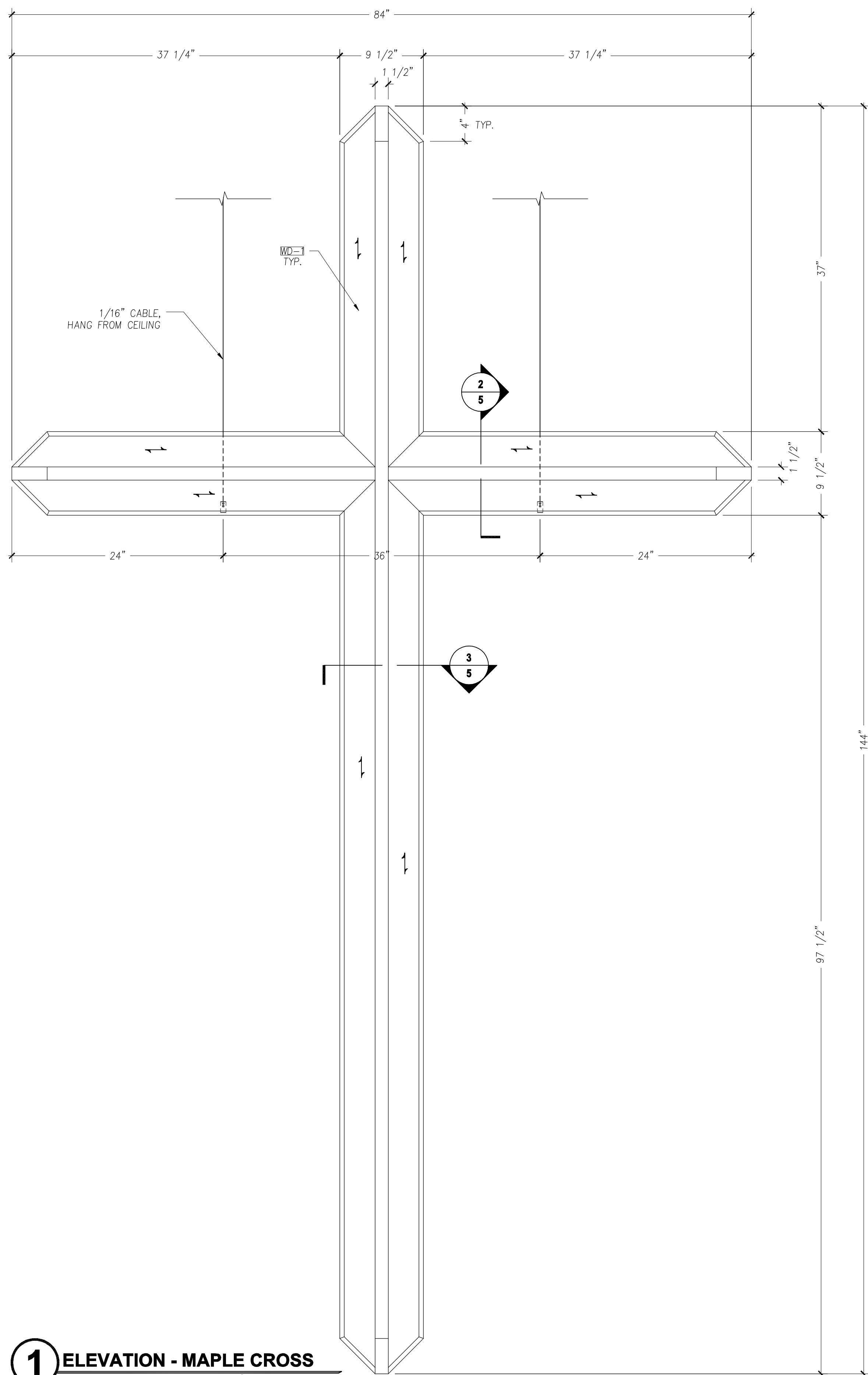
2 PLAN SECTION - CASING
 Scale: 6"=1'-0"



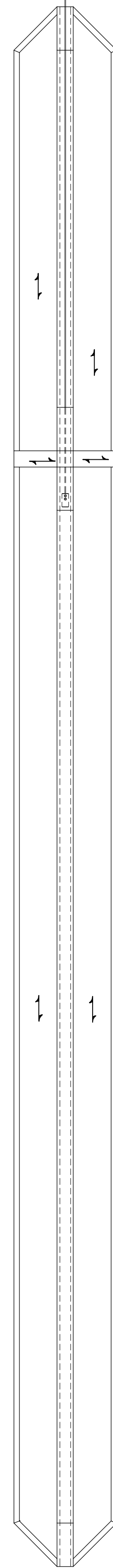
3 SECTION - ROUND WINDOW CASING
 Scale: Full Size



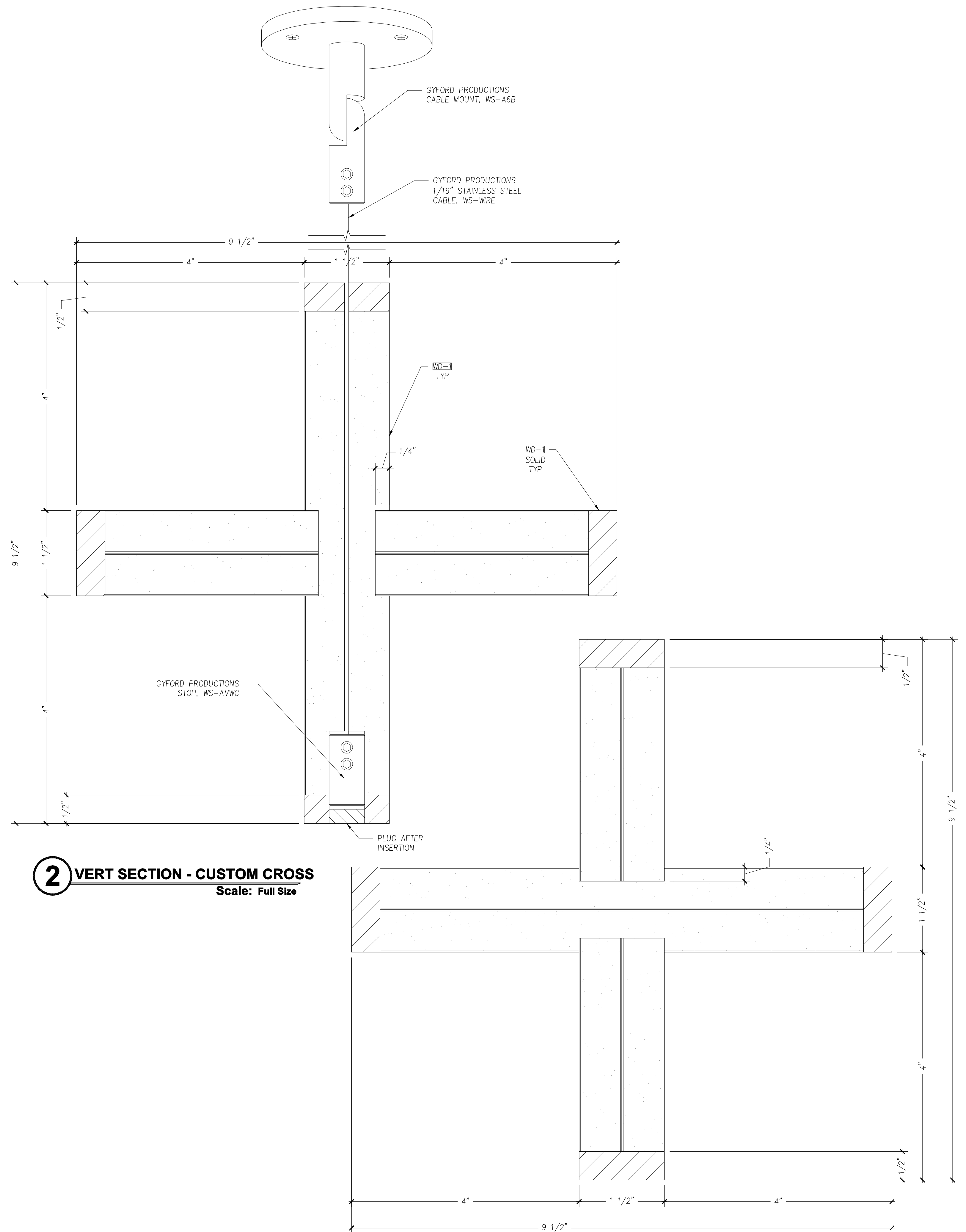
TOP VIEW



1 ELEVATION - MAPLE CROSS
Scale: 1 1/2"=1'-0"



SIDE VIEW



2 VERT SECTION - CUSTOM CROSS
Scale: Full Size

3 PLAN SECTION - CUSTOM CROSS
Scale: Full Size



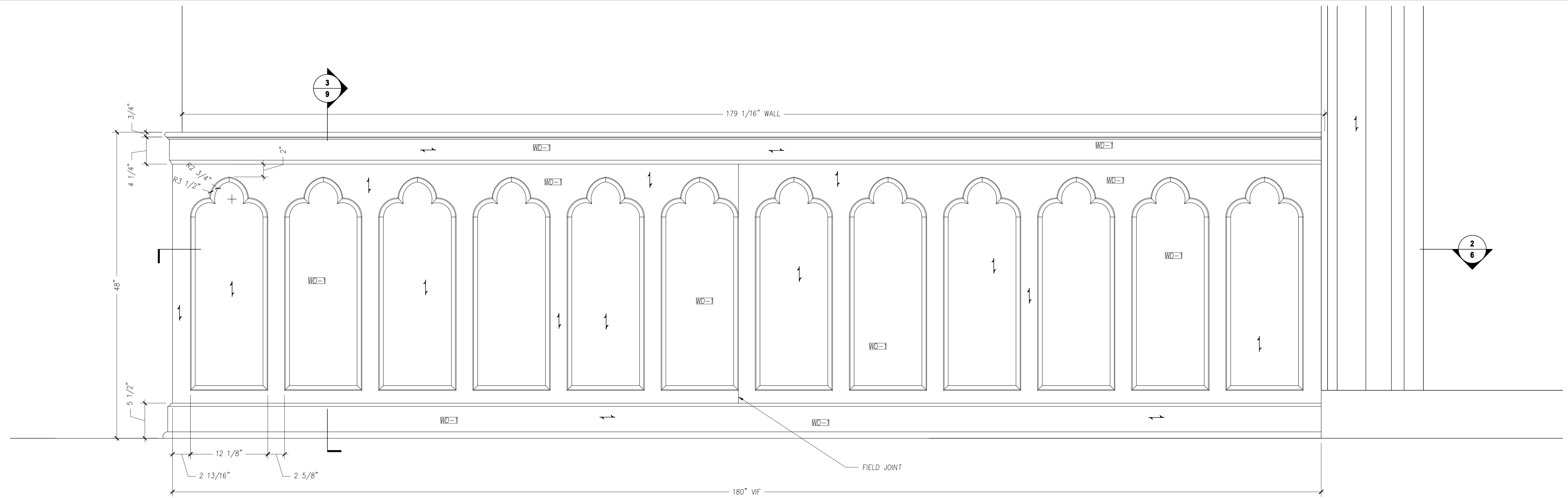
CENTENARY UNITED METHODIST CHURCH
NEW WORSHIP AND EDUCATION CENTER
1441 PERRYVILLE ROAD
DANVILLE, KENTUCKY 40422

SHOP DRAWINGS

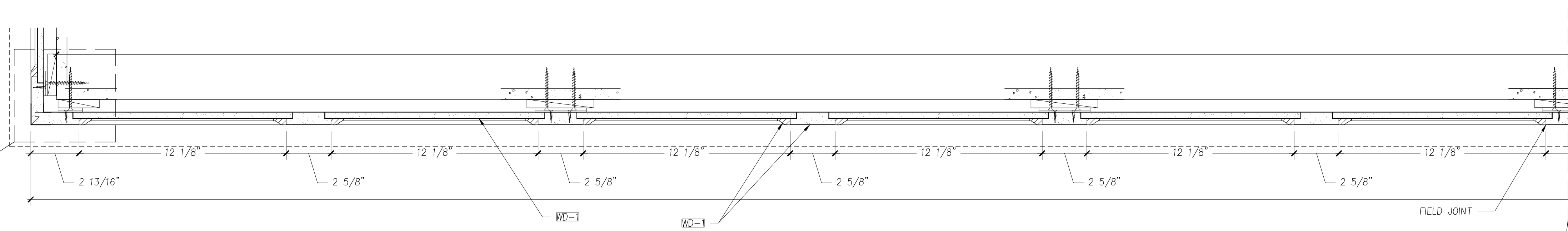
| | |
|---------|---------|
| JOB NO. | |
| DATE | 3/12/12 |
| DRAWN | GM |
| CHECKED | -- |

| REVISIONS |
|-----------|
| |
| |
| |
| |
| |

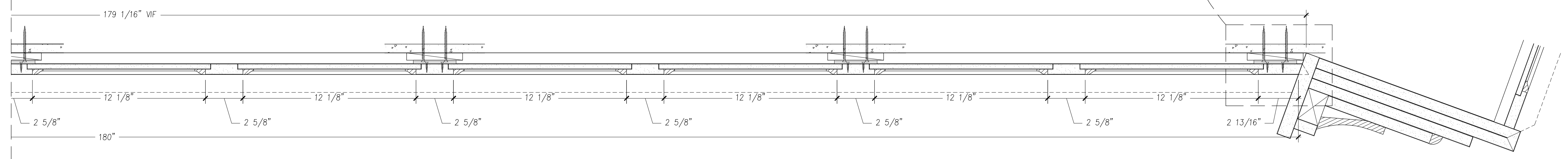
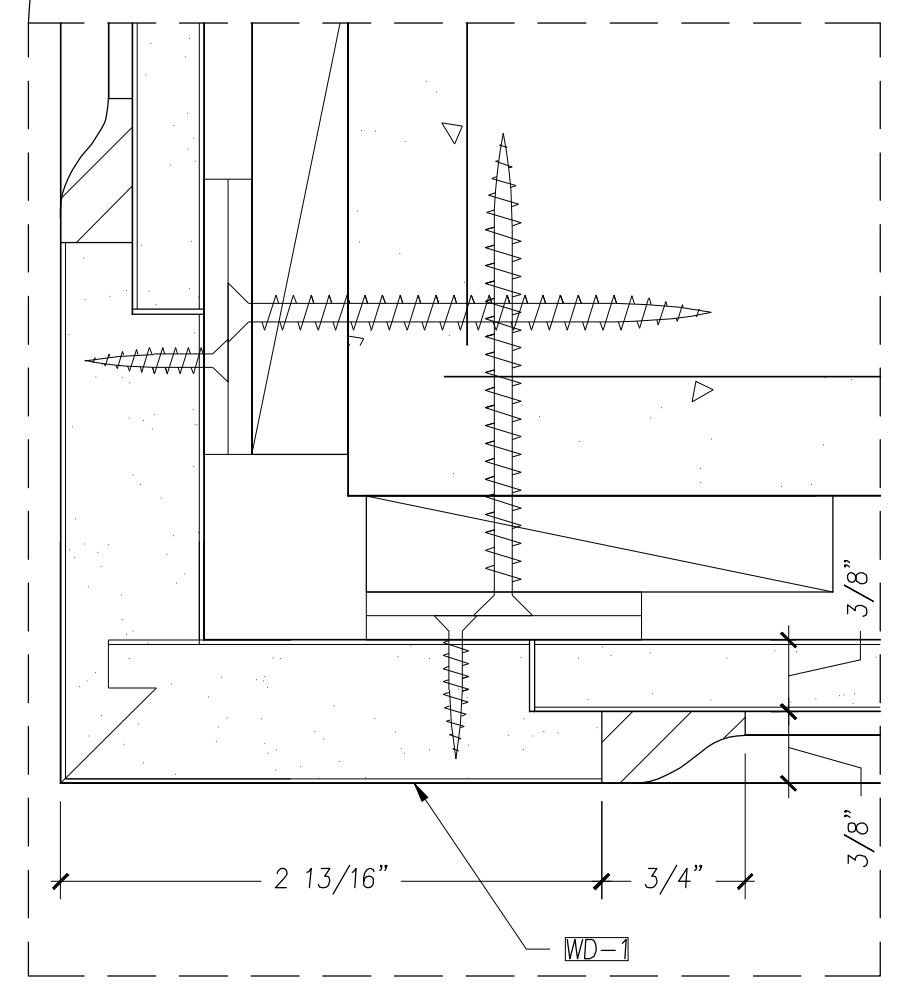
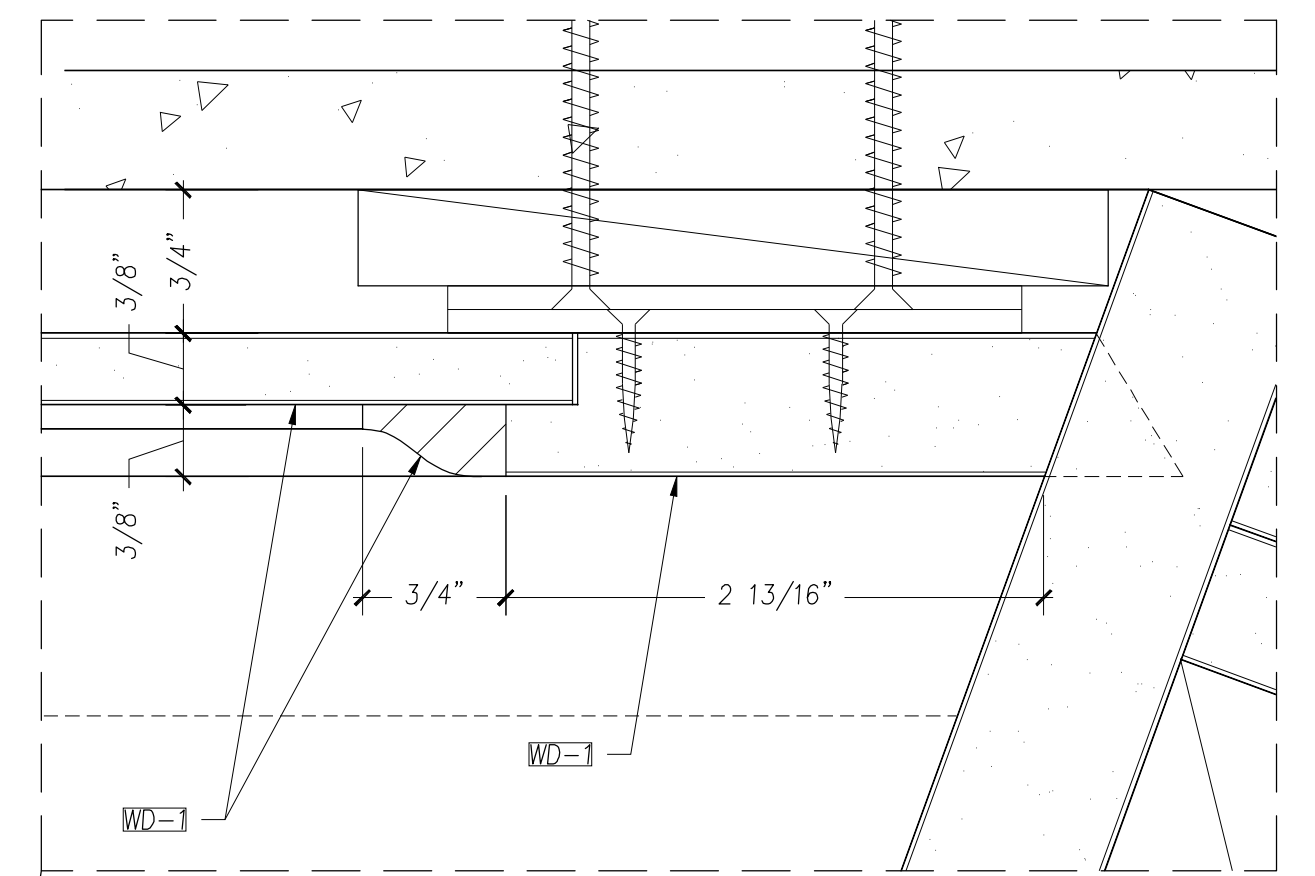
SHEET
1.05

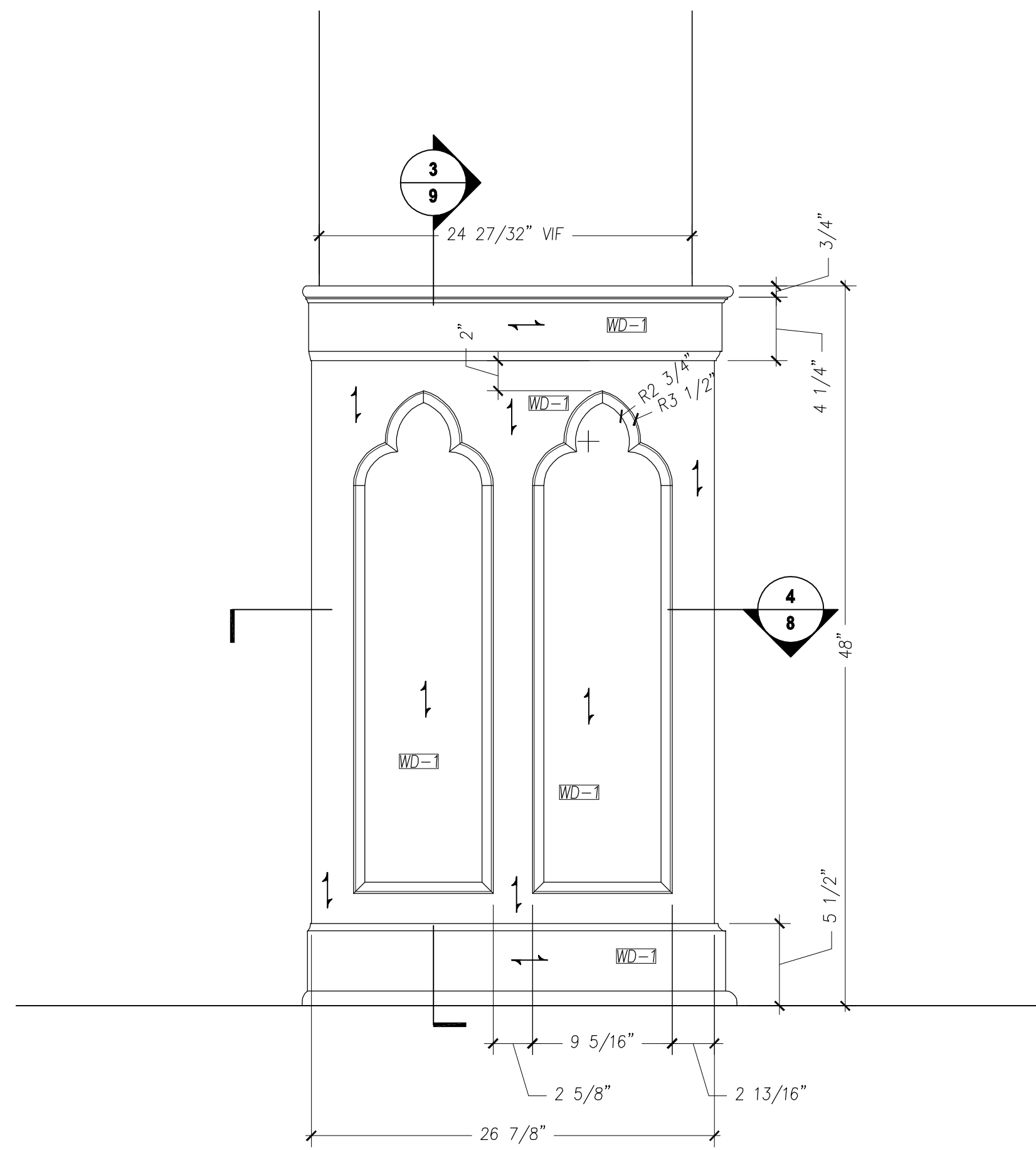


1 ELEVATION - FLANKING WAINSCOT
 Scale: 1 1/2"=1'-0"

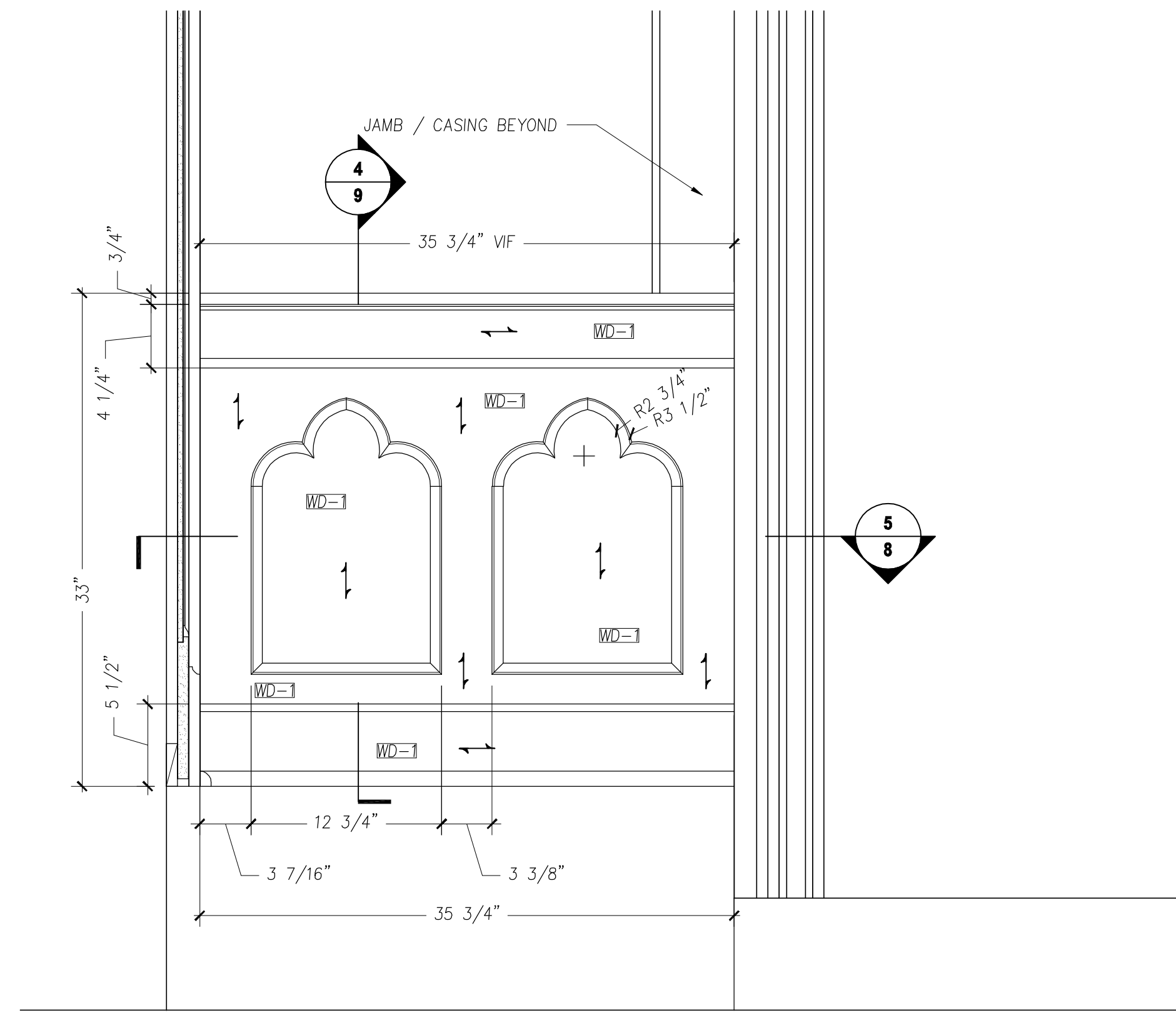


2 PLAN SECTION - WAINSCOT
 Scale: 3"=1'-0"

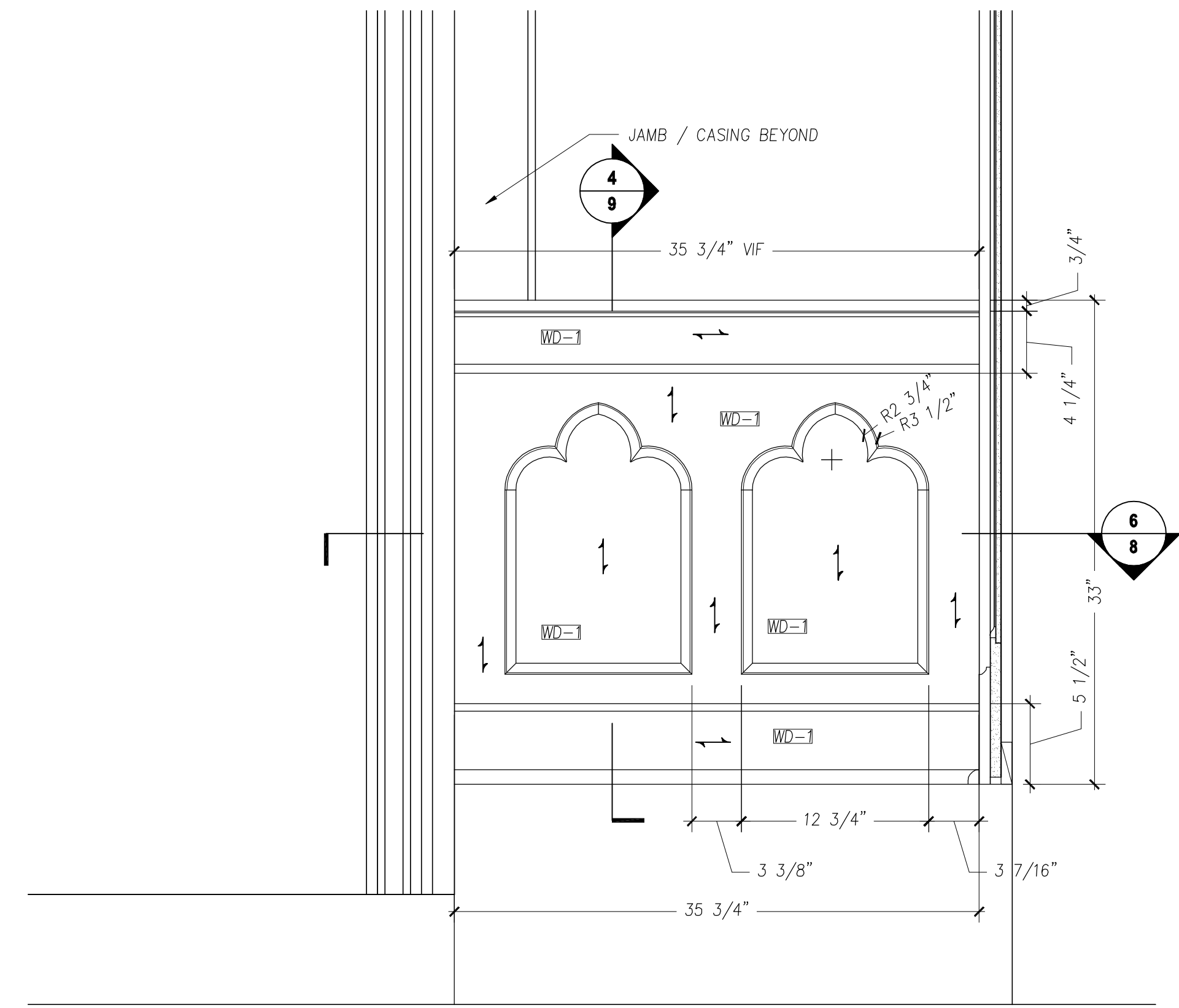




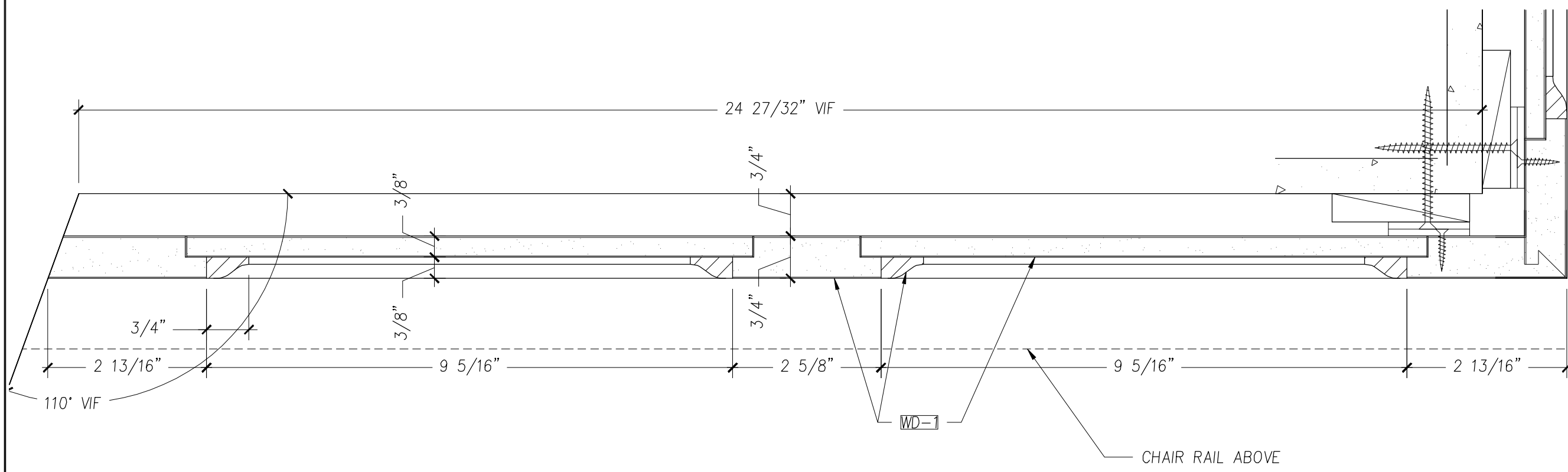
1 ELEVATION - END PANEL
 Scale: 1 1/2"=1'-0"



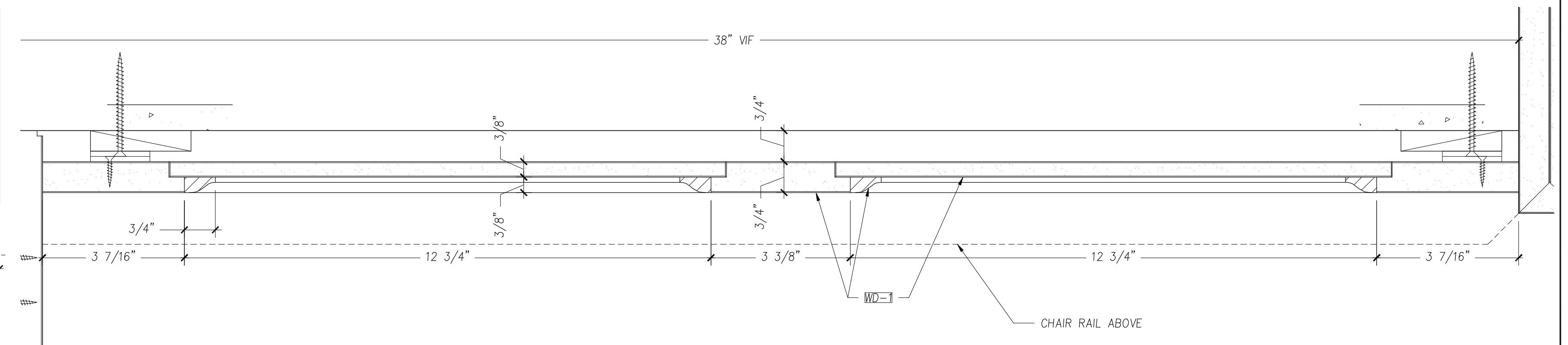
2 ELEVATION - SIDE PANEL
 Scale: 1 1/2"=1'-0"



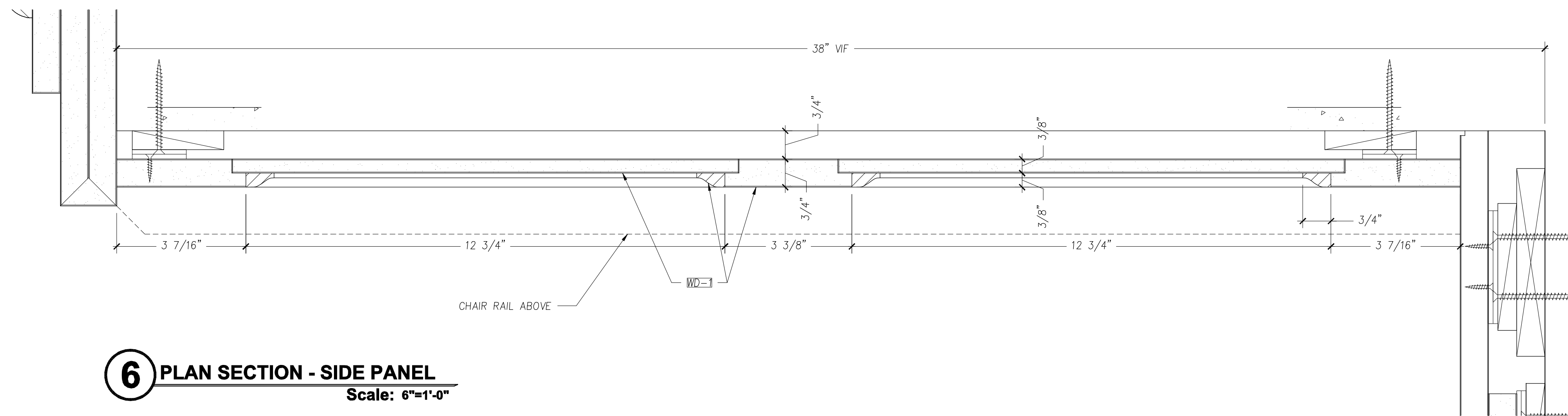
3 ELEVATION - SIDE PANEL
 Scale: 1 1/2"=1'-0"



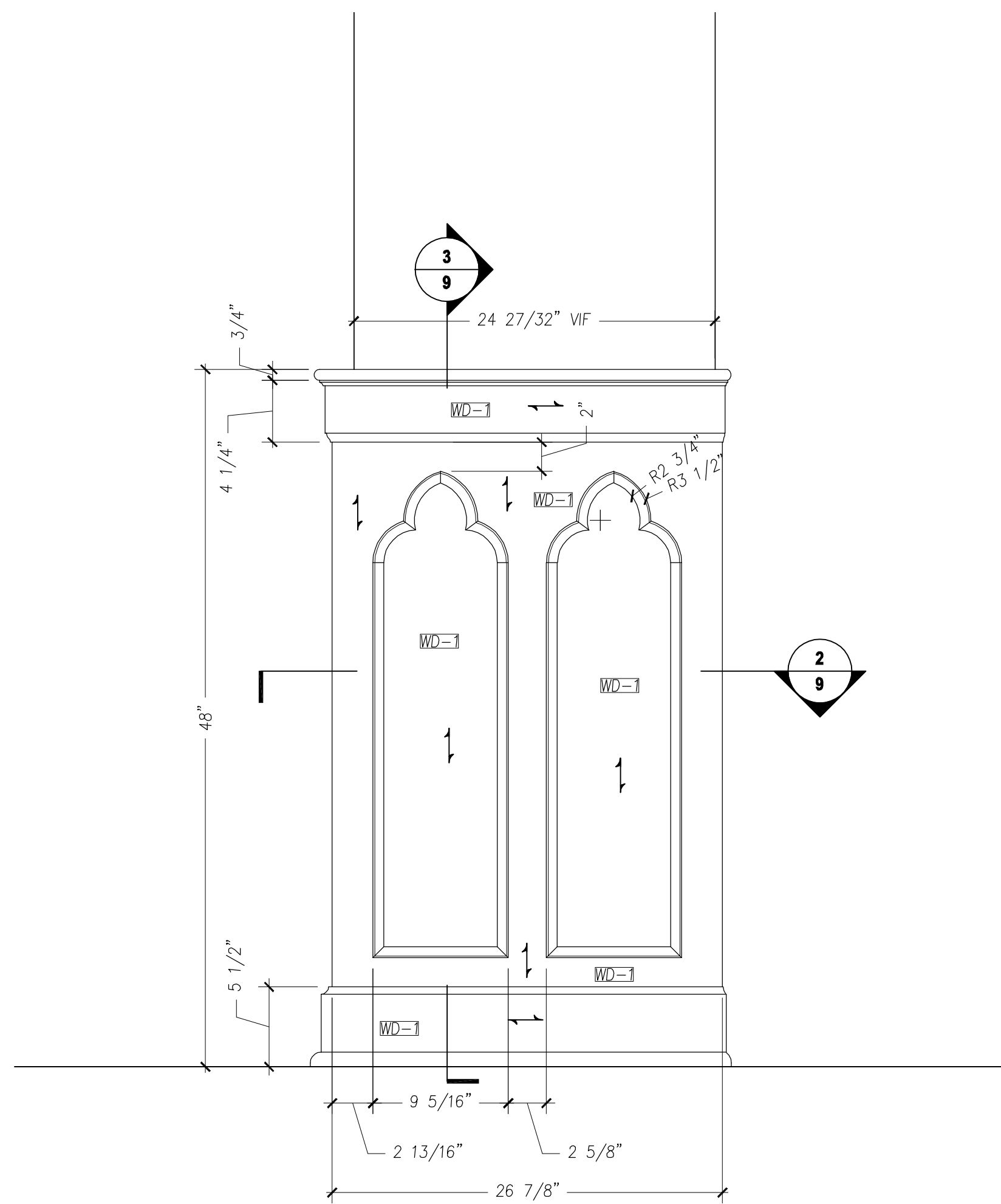
4 PLAN SECTION - END PANEL
 Scale: 6"=1'-0"



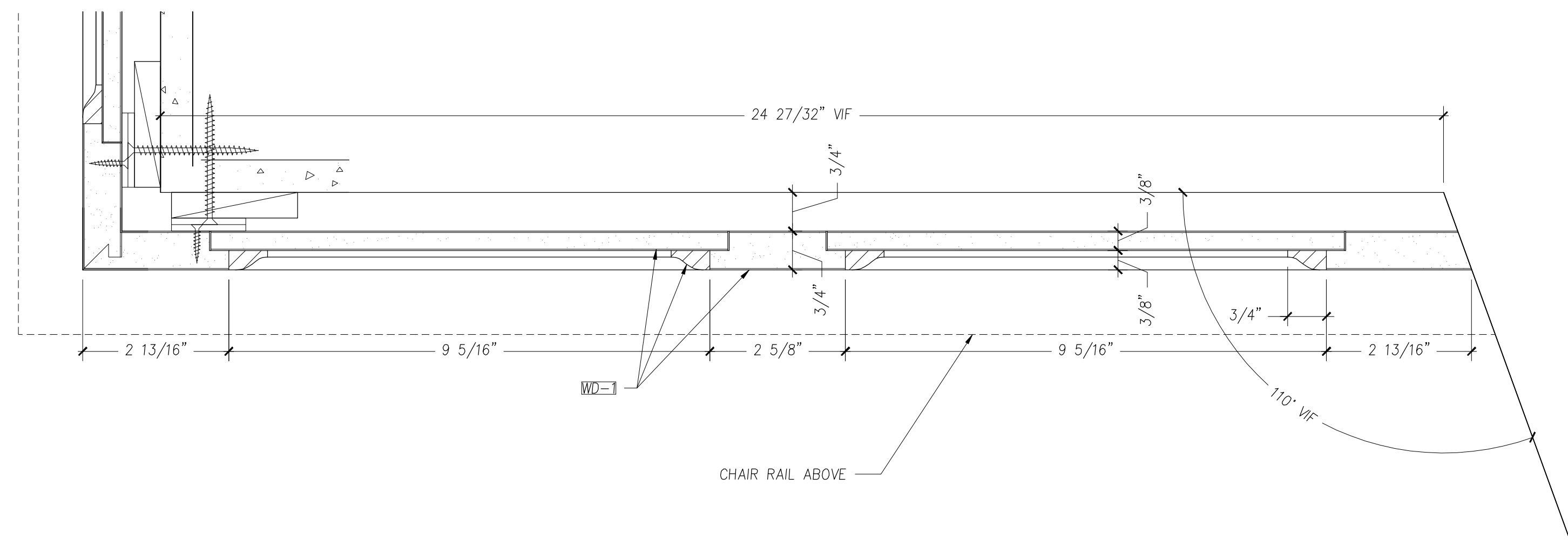
5 PLAN SECTION - SIDE PANEL
 Scale: 6"=1'-0"



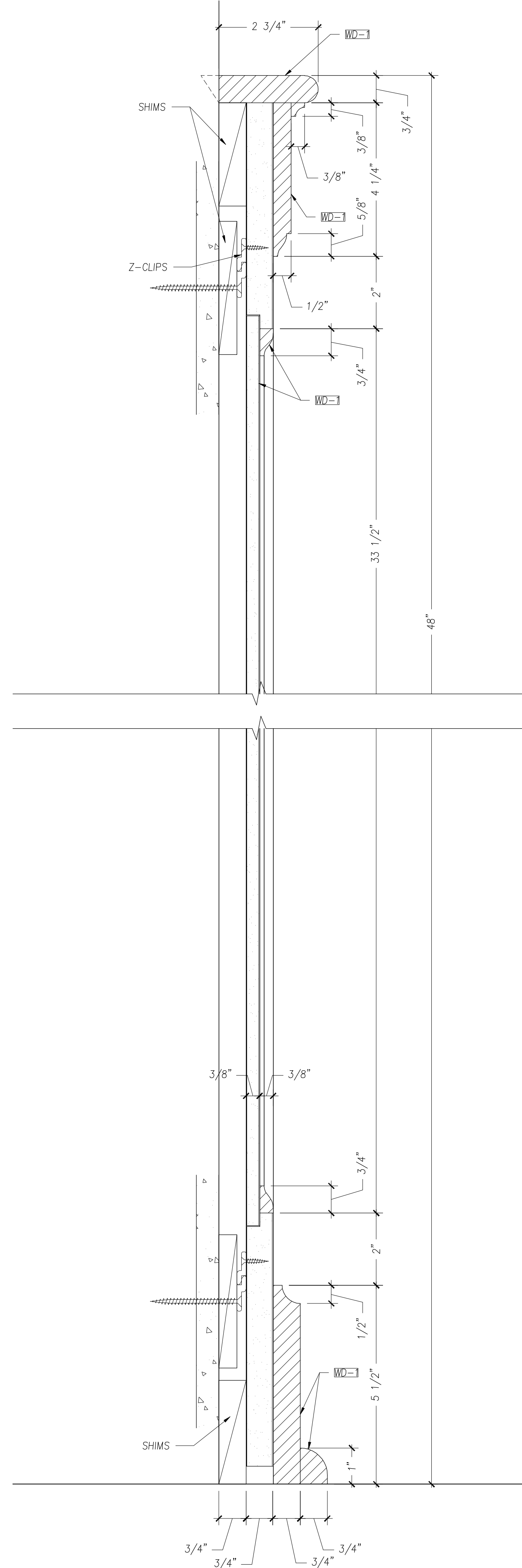
6 PLAN SECTION - SIDE PANEL
 Scale: 6"=1'-0"



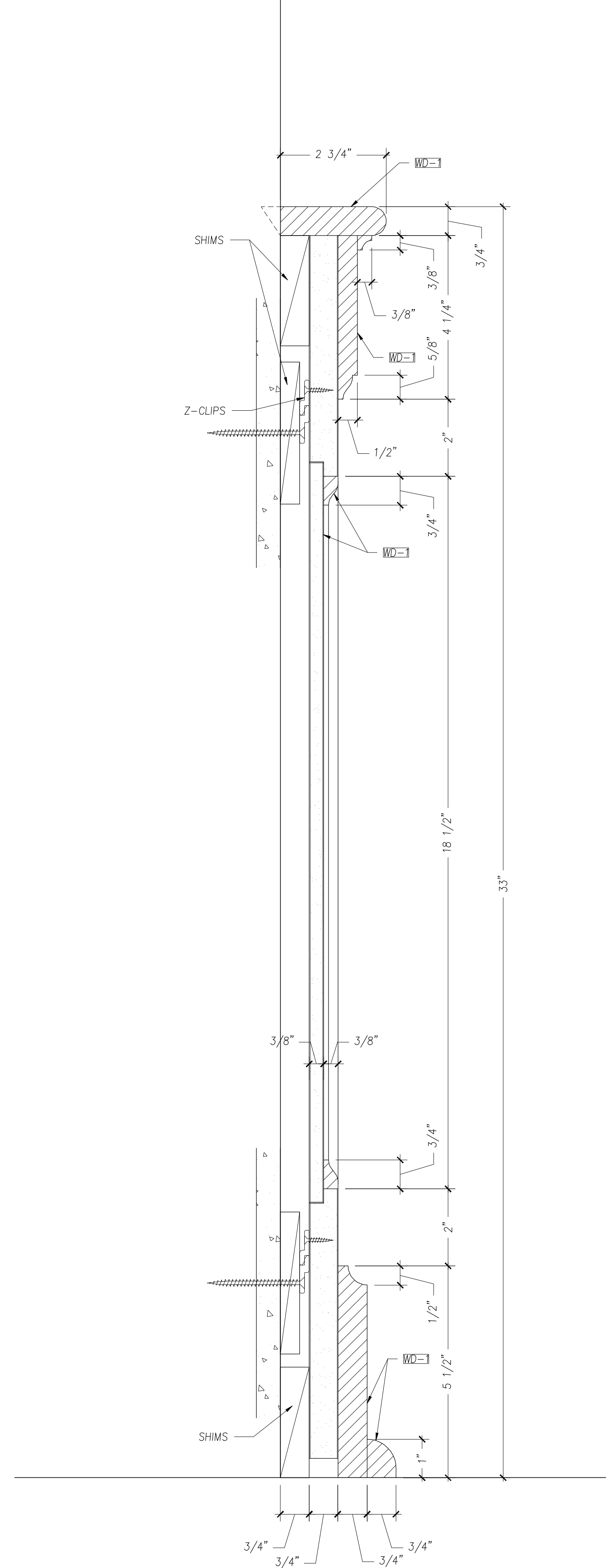
1 ELEVATION - SIDE PANELS
 Scale: 1 1/2"=1'-0"



2 PLAN SECTION SIDE - PANELS
 Scale: 6"=1'-0"



3 VERT SECTION - FLANKING & END PANELS
 Scale: 6"=1'-0"



4 VERT SECTION - SIDE PANELS
 Scale: 6"=1'-0"