

Note:
Architect specify and/or
approve items listed below

Wood Species

WD1	Makore, Finished to Match Control Sample
WD2	Plain Sliced Figured Maple, Fin to Match Control Sample
WD3	
WD4	

Plastic Laminate

PL1	Formica DecoMetal - 2032 Brushed Pewter
PL2	Wilsonart - D354-60 Designer White Matte
PL3	
PL4	
PL5	
PL6	

Hardware

H1	European Concealed Hinge
H2	5mm Shelf Pin
H3	Accuride Full Extension Slides #3832
H4	--
H5	--
H6	--
H7	--
H8	--

Other Materials

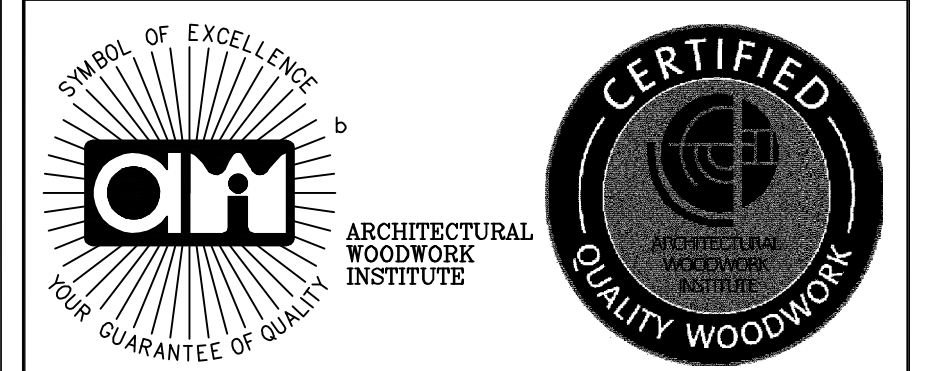
SS-1	Corian - Venaro White (C)
SS-2	--
ML-1	--
M-1	--
ST1	Granite - Stone Quarry - Labrador Antico
ST2	
ST3	

Exclusions

E1	Finished Floor	E7	Dishwashers
E2	Finished Wall	E8	Appliances
E3	Finished Ceiling	E9	Vinyl Base Board
E4	Light Fixtures	E10	--
E5	Under Counter Refrigerator	E11	
E6	Sinks	E12	

SUBMITTALS

NO	DATE	DESCRIPTION
1	2/13/12	FOR REVIEW
2	--	--
3	--	--
4	--	--
5	--	--



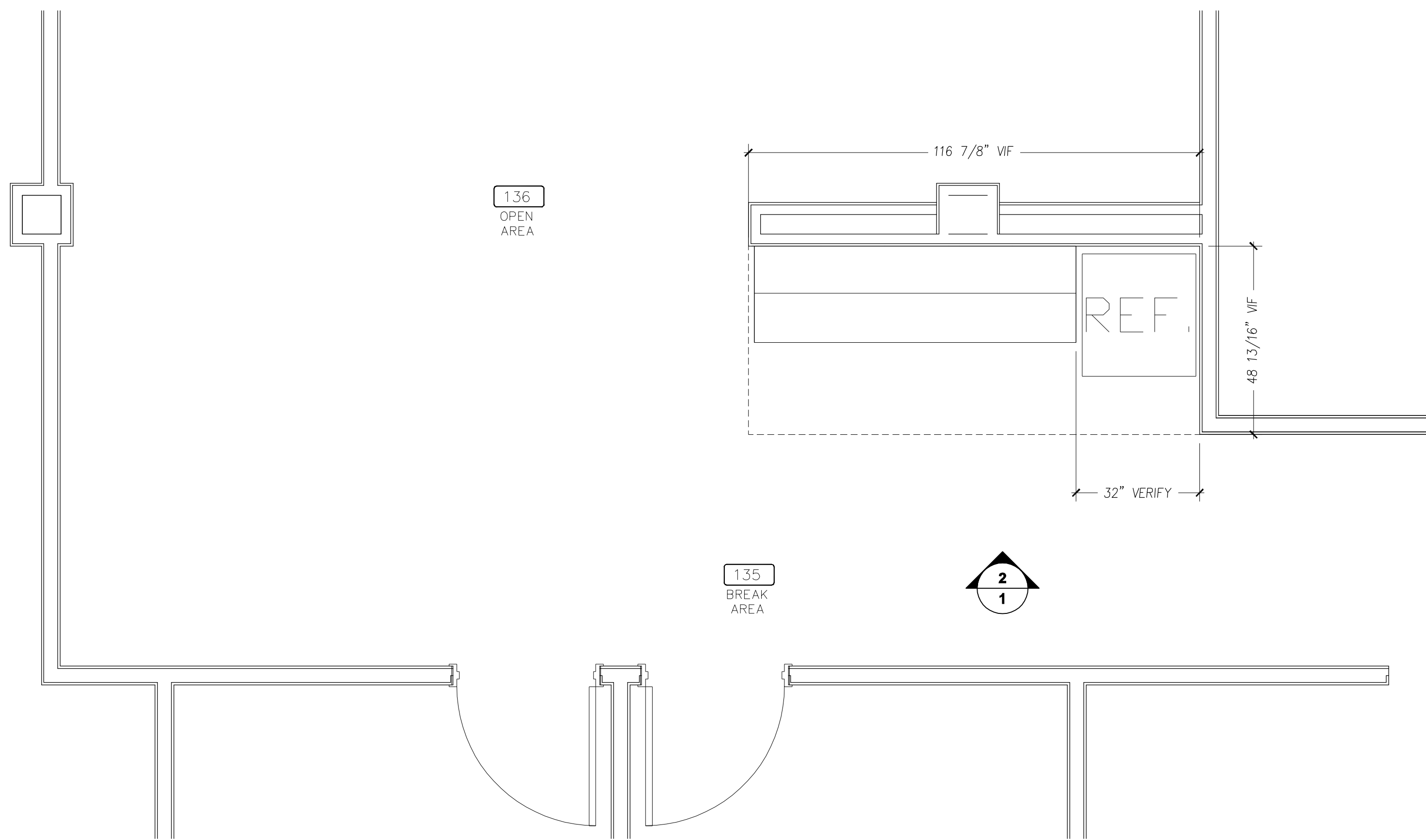
Project Title:
Discovery Center I
9365 Discovery Boulevard
Manassas, Virginia 20109

Architect: Powers Brown Architecture
800 Tower Crescent Dr. Suite 240, Vienna, VA 22182

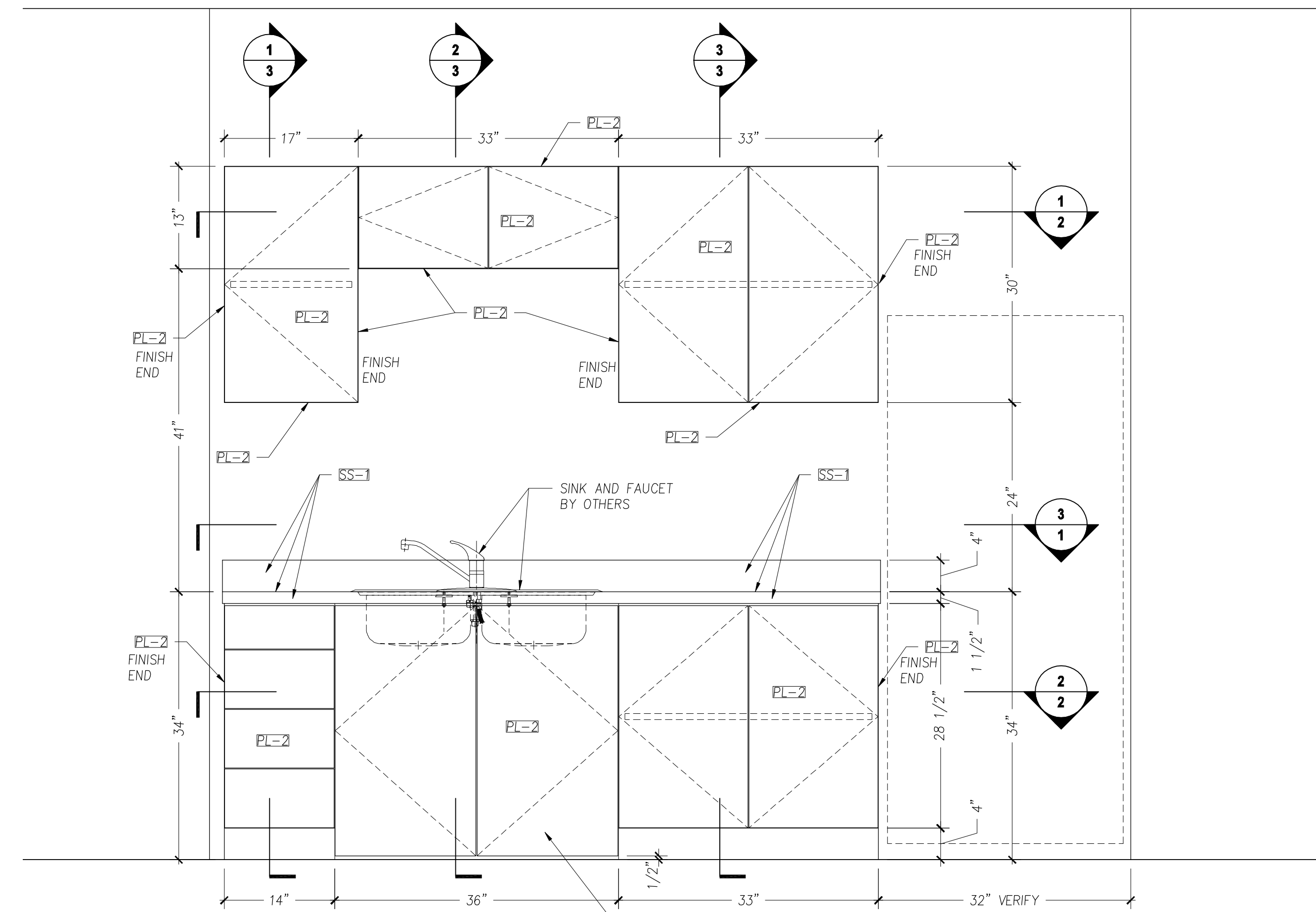
Contractor: R.W. Murray Company
10440 Balls Ford Rd. Suite100, Manassas, VA 20109

Drawing Title:
FLOOR PLAN, ELEVATION - ROOM 135

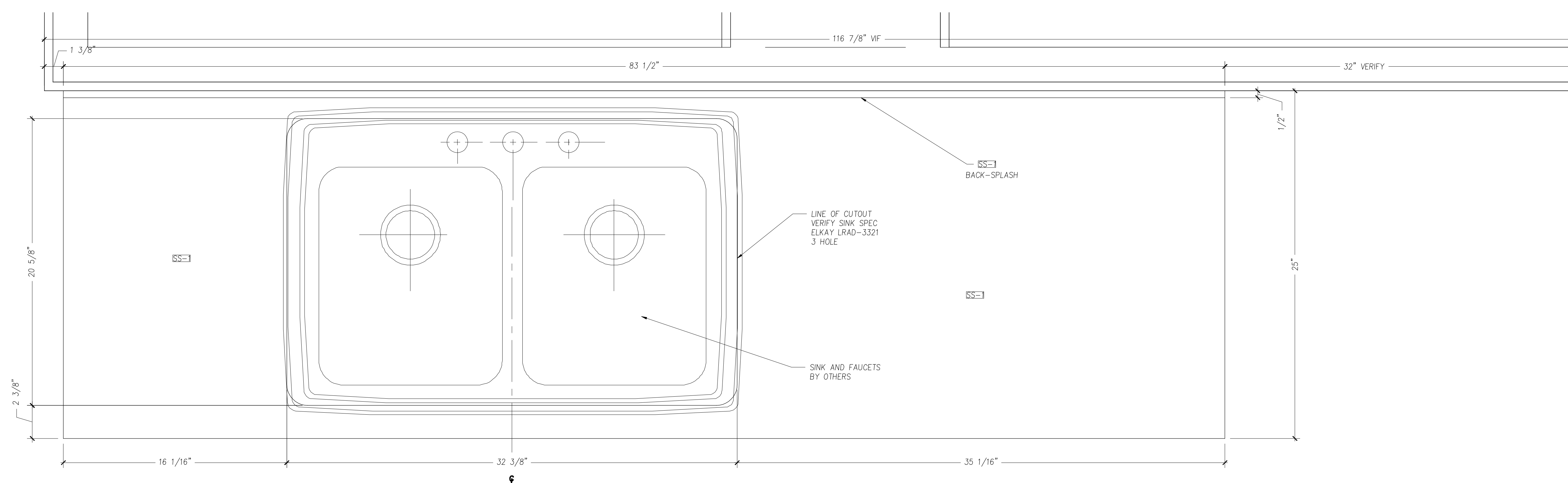
Drawn By: GM	Scale: As Noted	Job No: N/A	Dwg No: 3.01
Ref Dwg: VARIOUS	Date: 2/13/12		



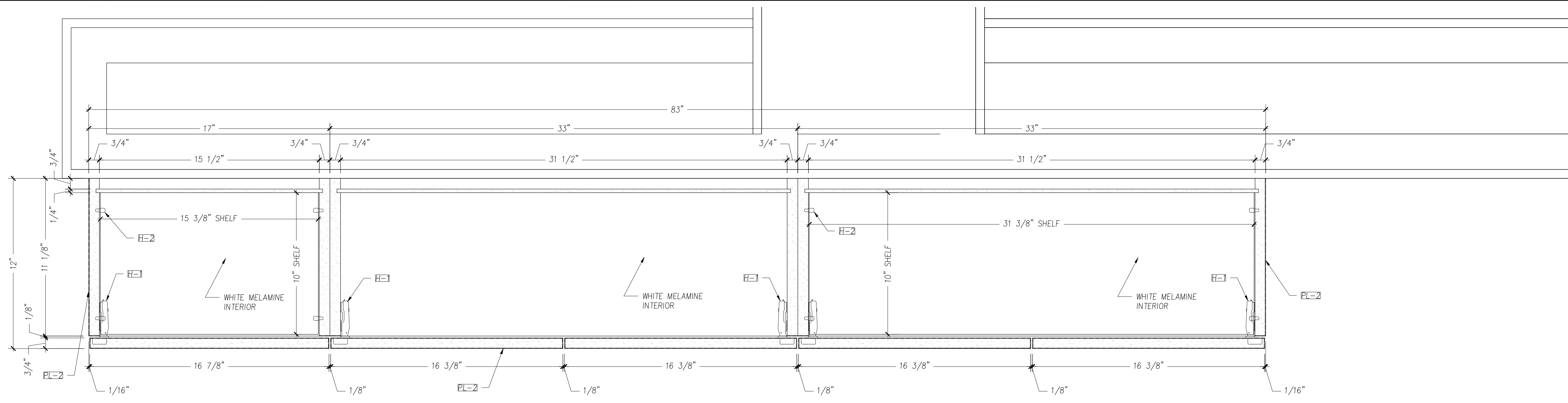
1 KEY PLAN - BREAK AREA 135
Scale: 1/2"=1'-0"



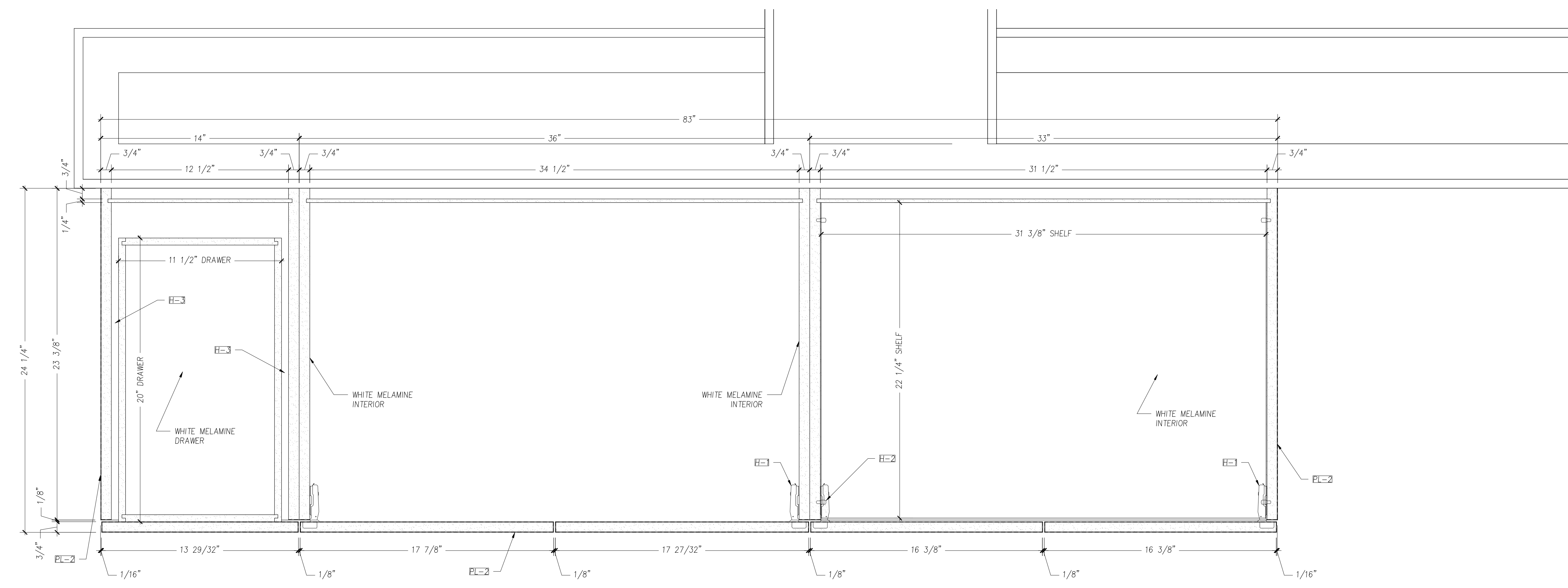
2 ELEVATION - BREAK AREA 135
Scale: 1"=1'-0"



3 PLAN VIEW - COUNTER TOP 135
Scale: 3"=1'-0"



1 PLAN SECTION - WALL CABINETS
Scale: 3"=1'-0"



2 PLAN SECTION - BASE CABINETS
Scale: 3"=1'-0"

Note:
Architect specify and/or
approve items listed below

Wood Species

WD1	Makore, Finished to Match Control Sample
WD2	Plain Sliced Figured Maple, Fin to Match Control Sample
WD3	
WD4	

Plastic Laminate

PL1	Formica DecoMetal - 2032 Brushed Pewter
PL2	Wilsonart - D354-60 Designer White Matte
PL3	
PL4	
PL5	
PL6	

Hardware

H1	European Concealed Hinge
H2	5mm Shelf Pin
H3	Accuride Full Extension Slides #3832
H4	--
H5	--
H6	--
H7	--
H8	--

Other Materials

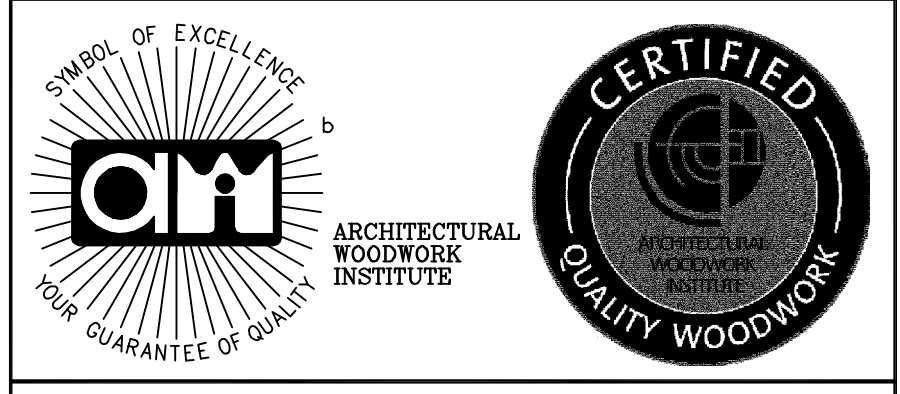
SS-1	Corian - Venaro White (C)
SS-2	--
ML-1	--
M-1	--
ST1	Granite - Stone Quarry - Labrador Antico
ST2	
ST3	

Exclusions

E1	Finished Floor	E7	Dishwashers
E2	Finished Wall	E8	Appliances
E3	Finished Ceiling	E9	Vinyl Base Board
E4	Light Fixtures	E10	--
E5	Under Counter Refrigerator	E11	
E6	Sinks	E12	

SUBMITTALS

NO	DATE	DESCRIPTION
1	2/13/12	FOR REVIEW
2	--	--
3	--	--
4	--	--
5	--	--

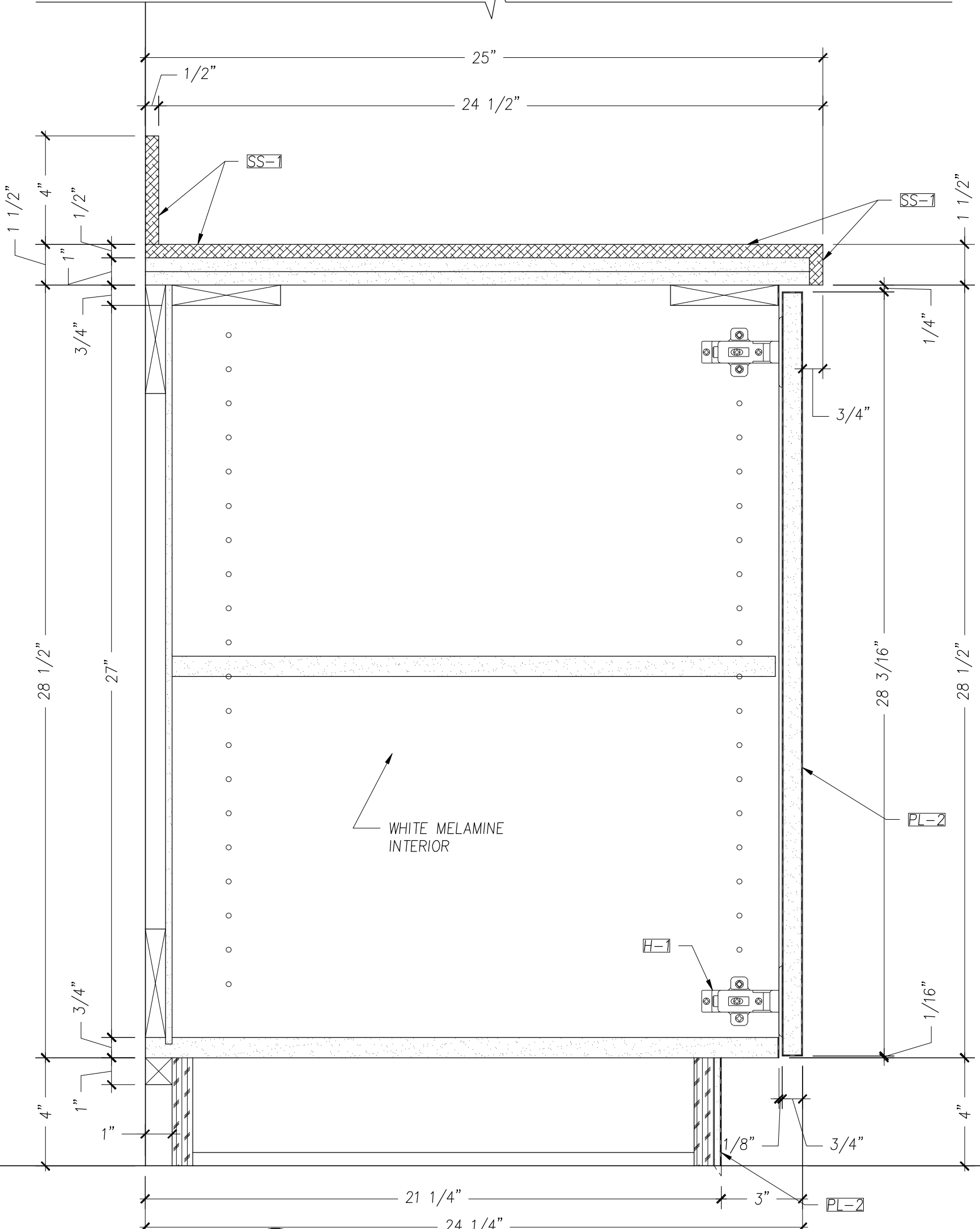
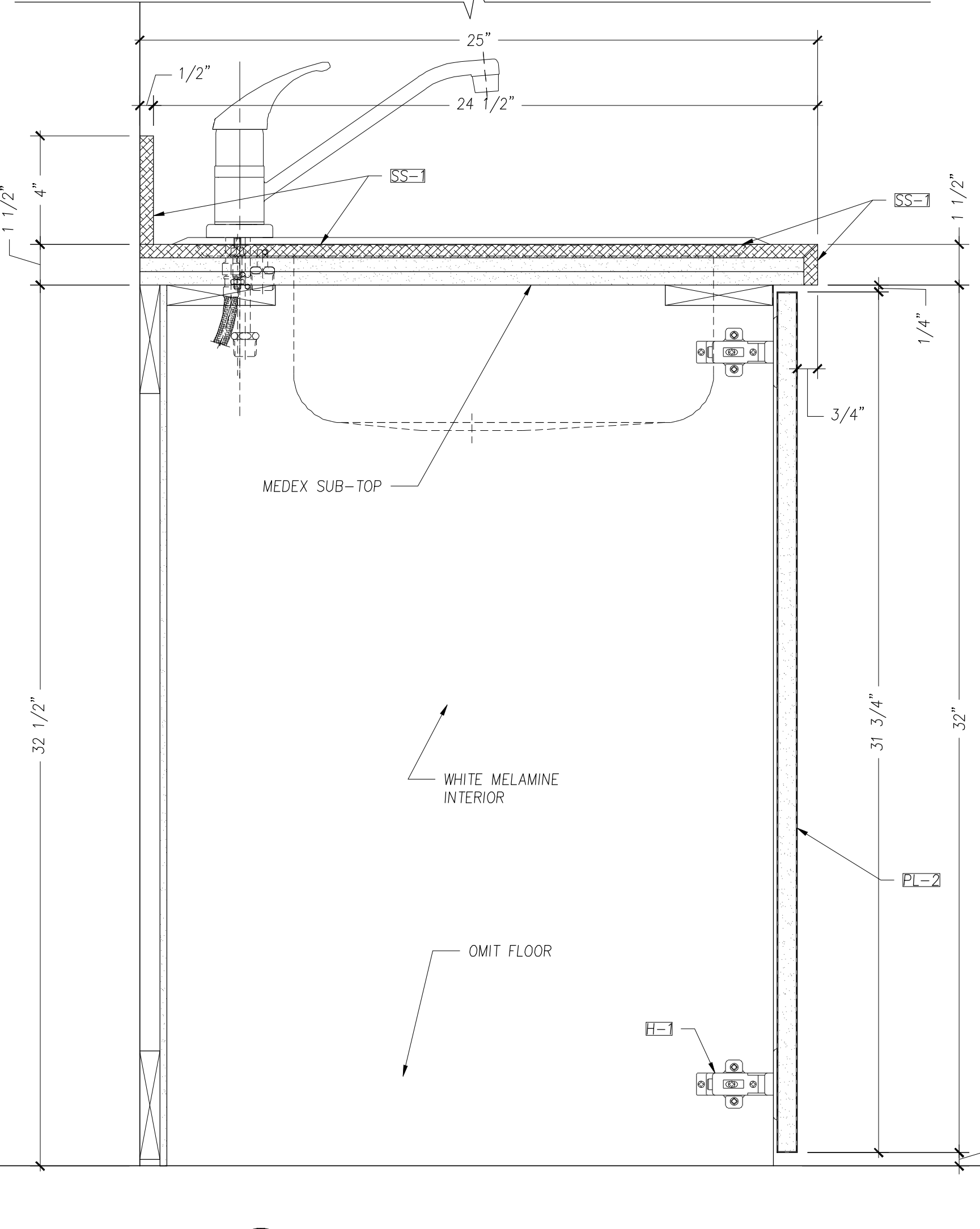
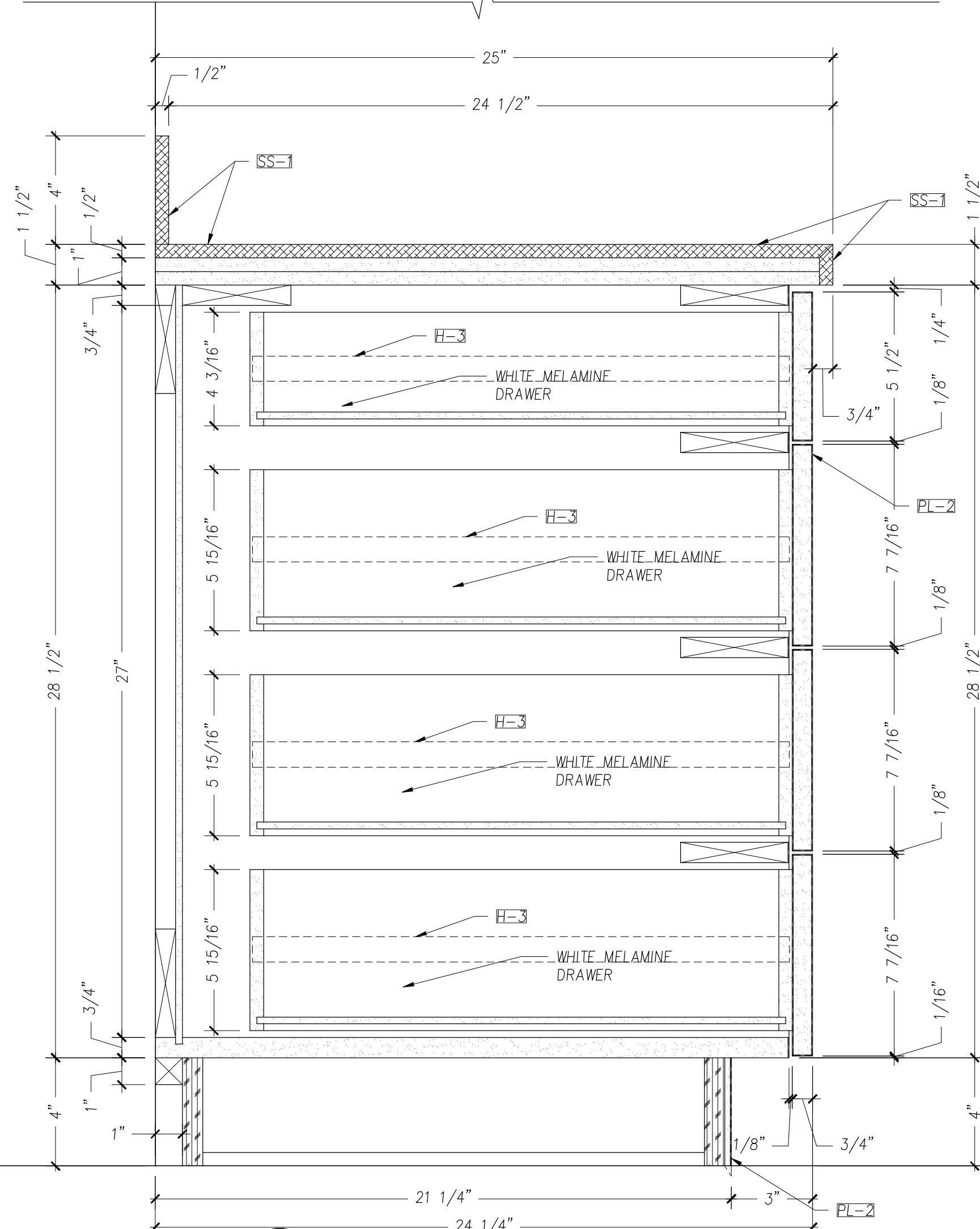
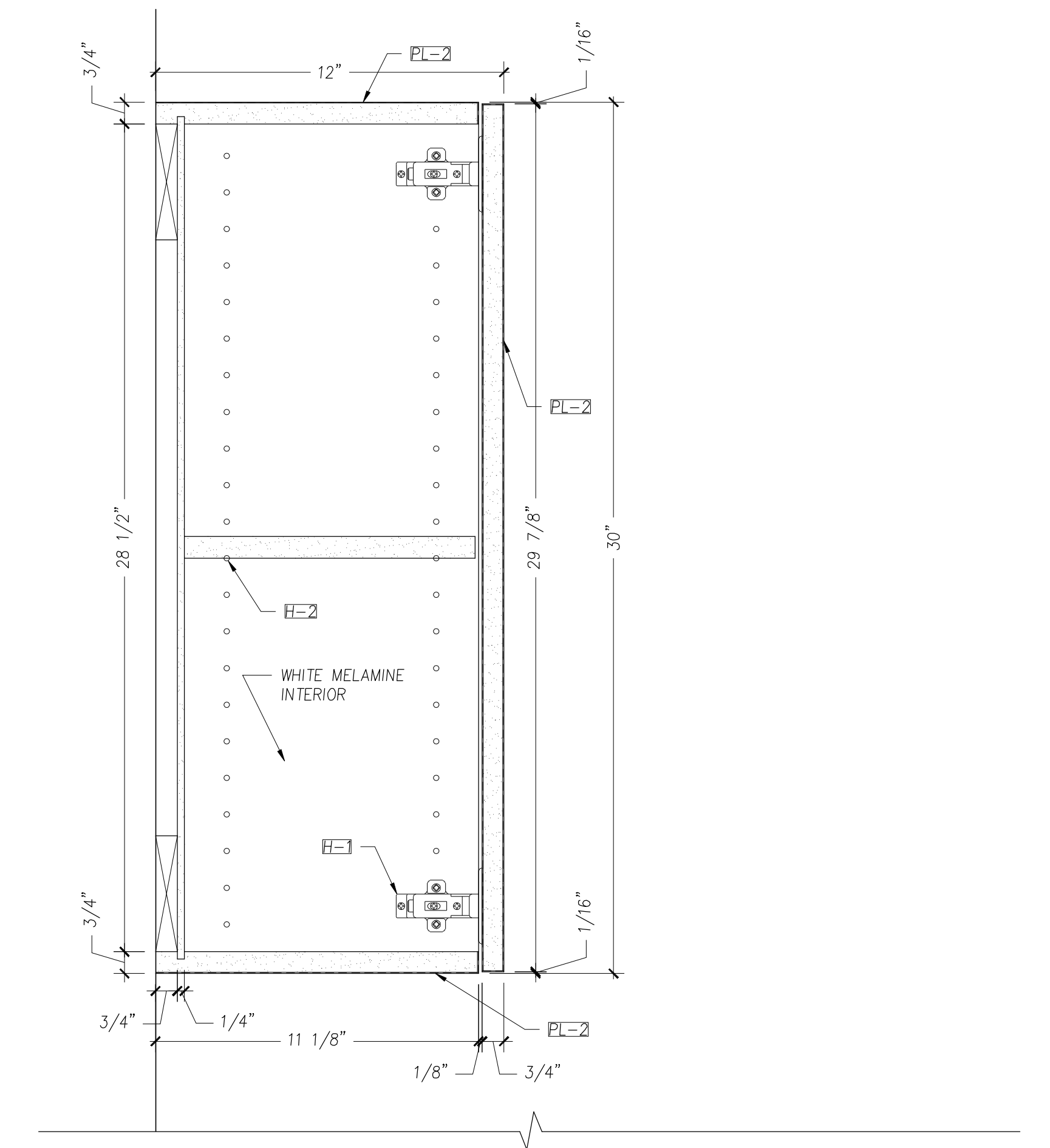
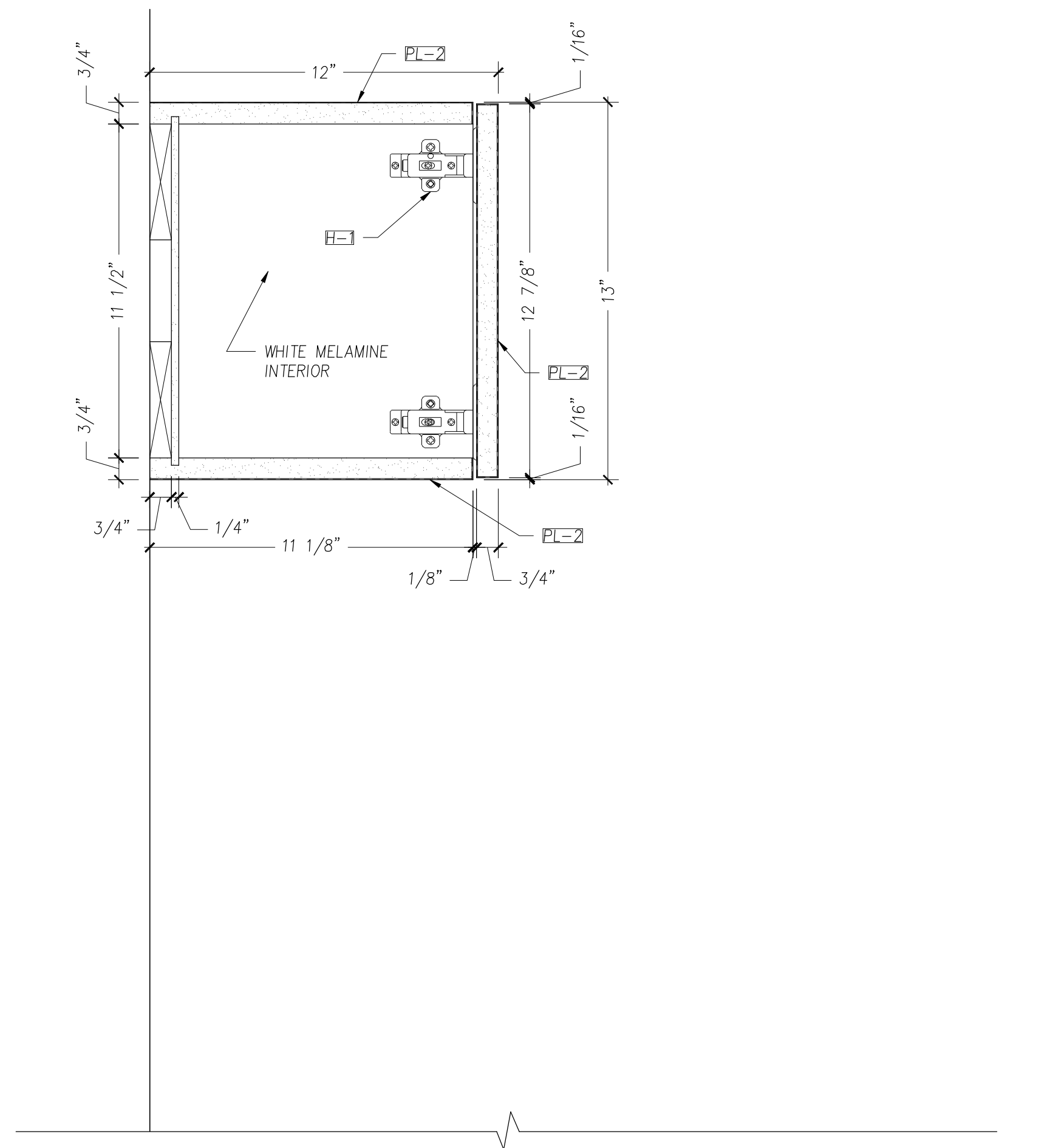
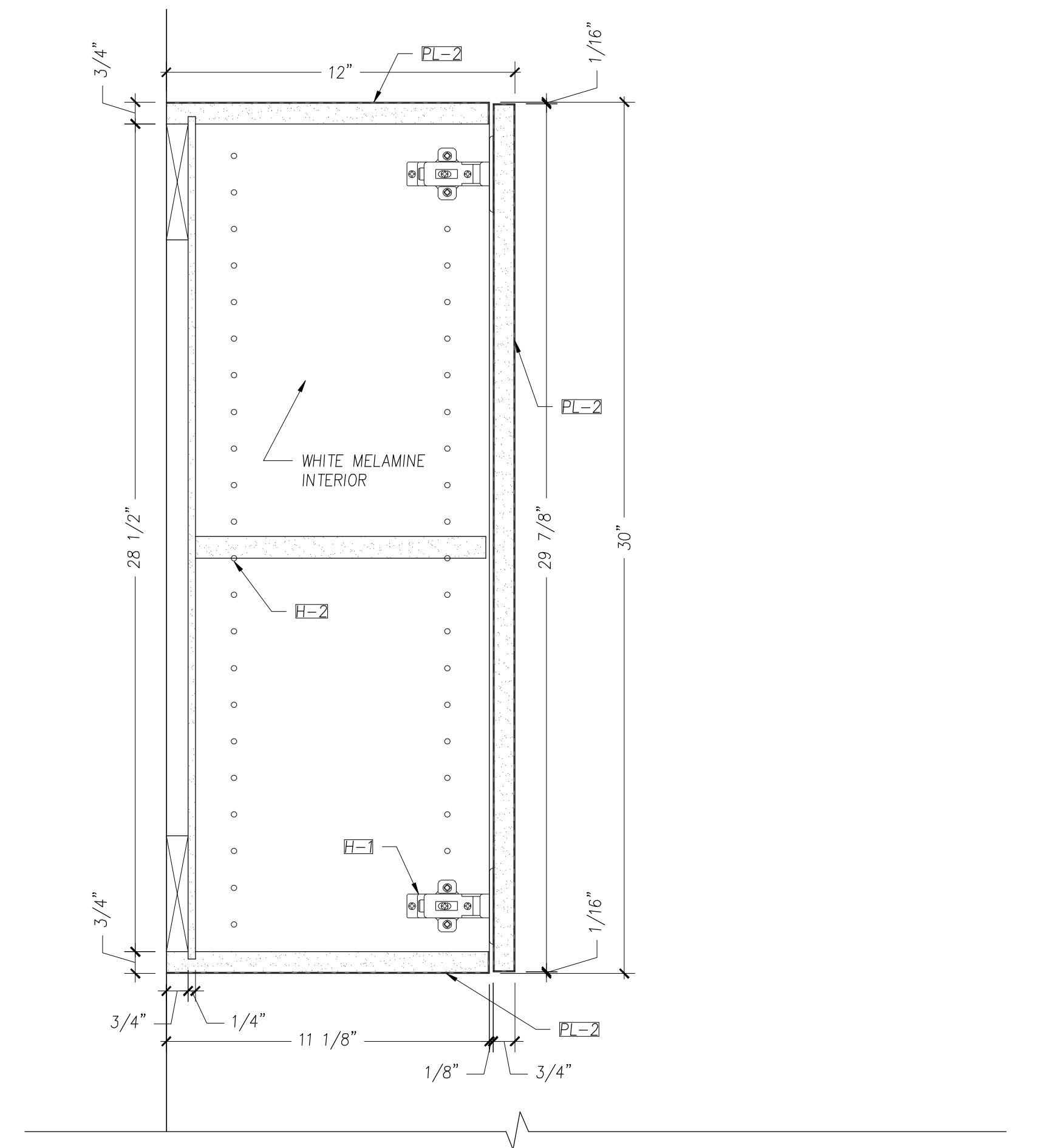


Project Title:
Discovery Center I
9365 Discovery Boulevard
Manassas, Virginia 20109

Architect: Powers Brown Architecture
800 Tower Crescent Dr. Suite 240, Vienna, VA 22182
Contractor: R.W. Murray Company
10440 Balls Ford Rd. Suite100, Manassas, VA 20109

Drawing Title:
PLAN SECTIONS - BREAK AREA 135

Drawn By:	GM	Scale:	As Noted	Job No.:	N/A	Dwg No.:	3.02
Ref Dwg:	VARIOUS	Date:	2/13/12				



1 VERTICAL SECTION -ROOM 135
Scale: 3/8"=1'-0"

2 VERTICAL SECTION -ROOM 135
Scale: 3/8"=1'-0"

3 VERTICAL SECTION -ROOM 135
Scale: 3/8"=1'-0"

Note:
Architect specify and/or
approve items listed below

Wood Species	
WD1	Makore, Finished to Match Control Sample
WD2	Plain Sliced Figured Maple, Fin to Match Control Sample
WD3	
WD4	

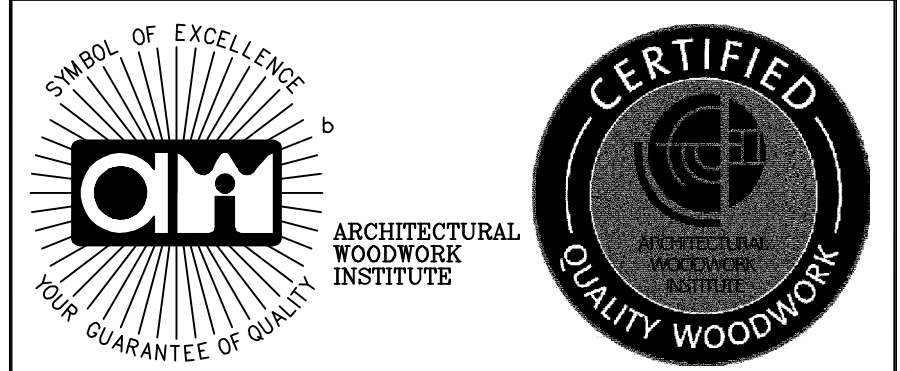
Plastic Laminate	
PL1	Formica DecoMetal - 2032 Brushed Pewter
PL2	Wilsonart - D354-60 Designer White Matte
PL3	
PL4	
PL5	
PL6	

Hardware	
H1	European Concealed Hinge
H2	5mm Shelf Pin
H3	Accuride Full Extension Slides #3832
H4	--
H5	--
H6	--
H7	--
H8	--

Other Materials	
SS-1	Corian - Venaro White (C)
SS-2	--
ML-1	--
M-1	--
ST1	Granite - Stone Quarry - Labrador Antico
ST2	
ST3	

Exclusions			
E1	Finished Floor	E7	Dishwashers
E2	Finished Wall	E8	Appliances
E3	Finished Ceiling	E9	Vinyl Base Board
E4	Light Fixtures	E10	--
E5	Under Counter Refrigerator	E11	--
E6	Sinks	E12	--

SUBMITTALS		
NO	DATE	DESCRIPTION
1	2/13/12	FOR REVIEW
2	--	--
3	--	--
4	--	--
5	--	--



Project Title:
Discovery Center I
9365 Discovery Boulevard
Manassas, Virginia 20109

Architect: Powers Brown Architecture
800 Tower Crescent Dr. Suite 240, Vienna, VA 22182
Contractor: R.W. Murray Company
10440 Balls Ford Rd. Suite100, Manassas, VA 20109

Drawing Title:
VERTICAL SECTIONS - BREAK AREA 135

Drawn By: GM	Scale: As Noted	Job No: N/A	Dwg No: 3.03
Ref Dwg: VARIOUS	Date: 2/13/12		