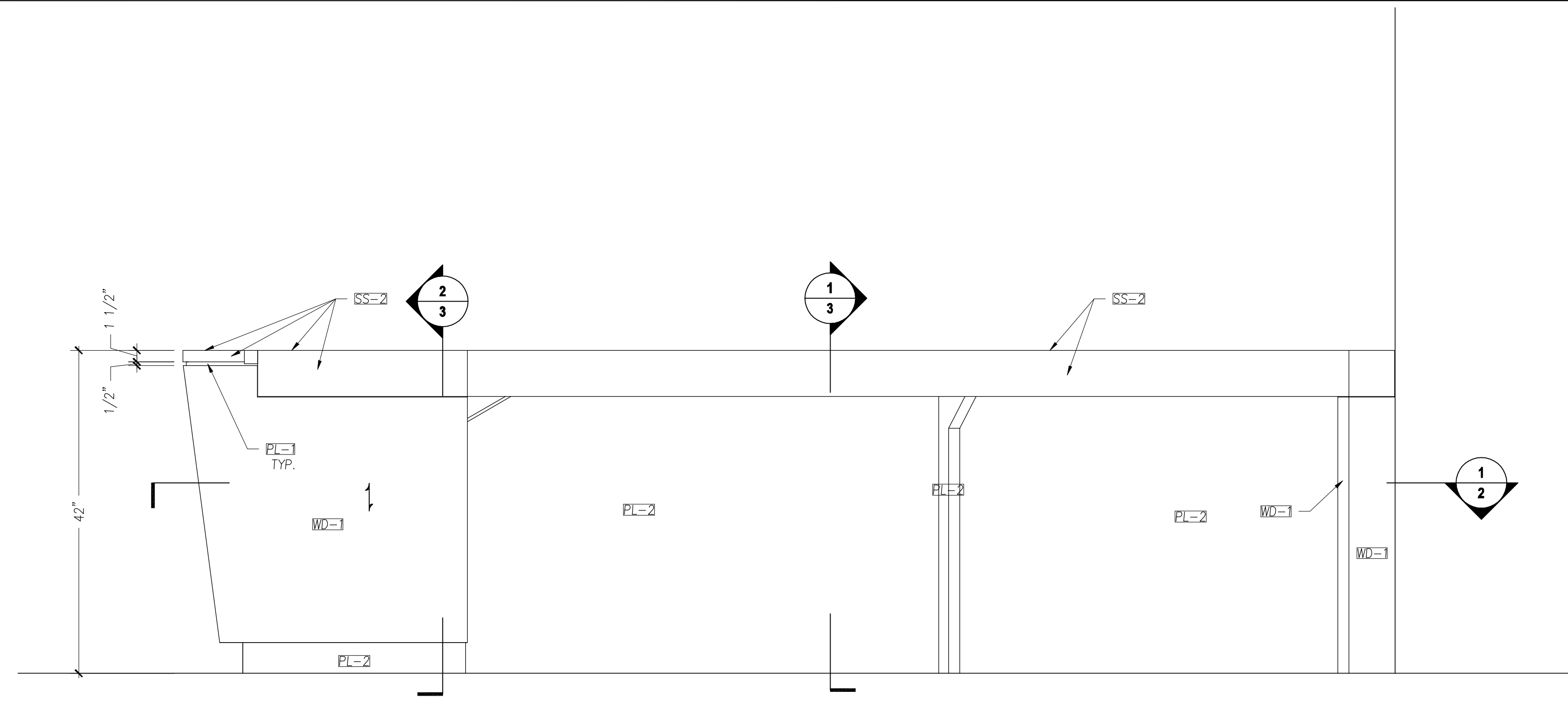
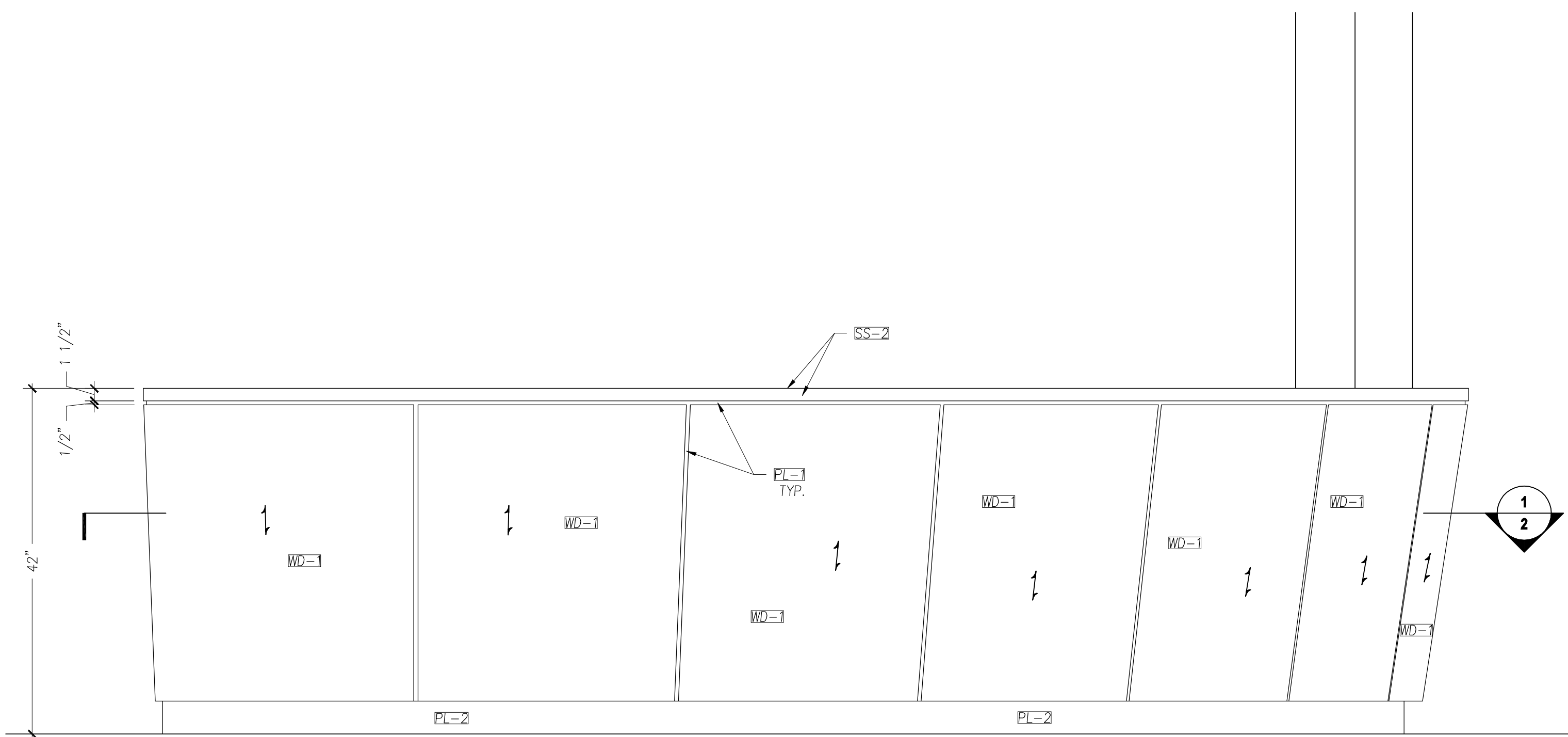


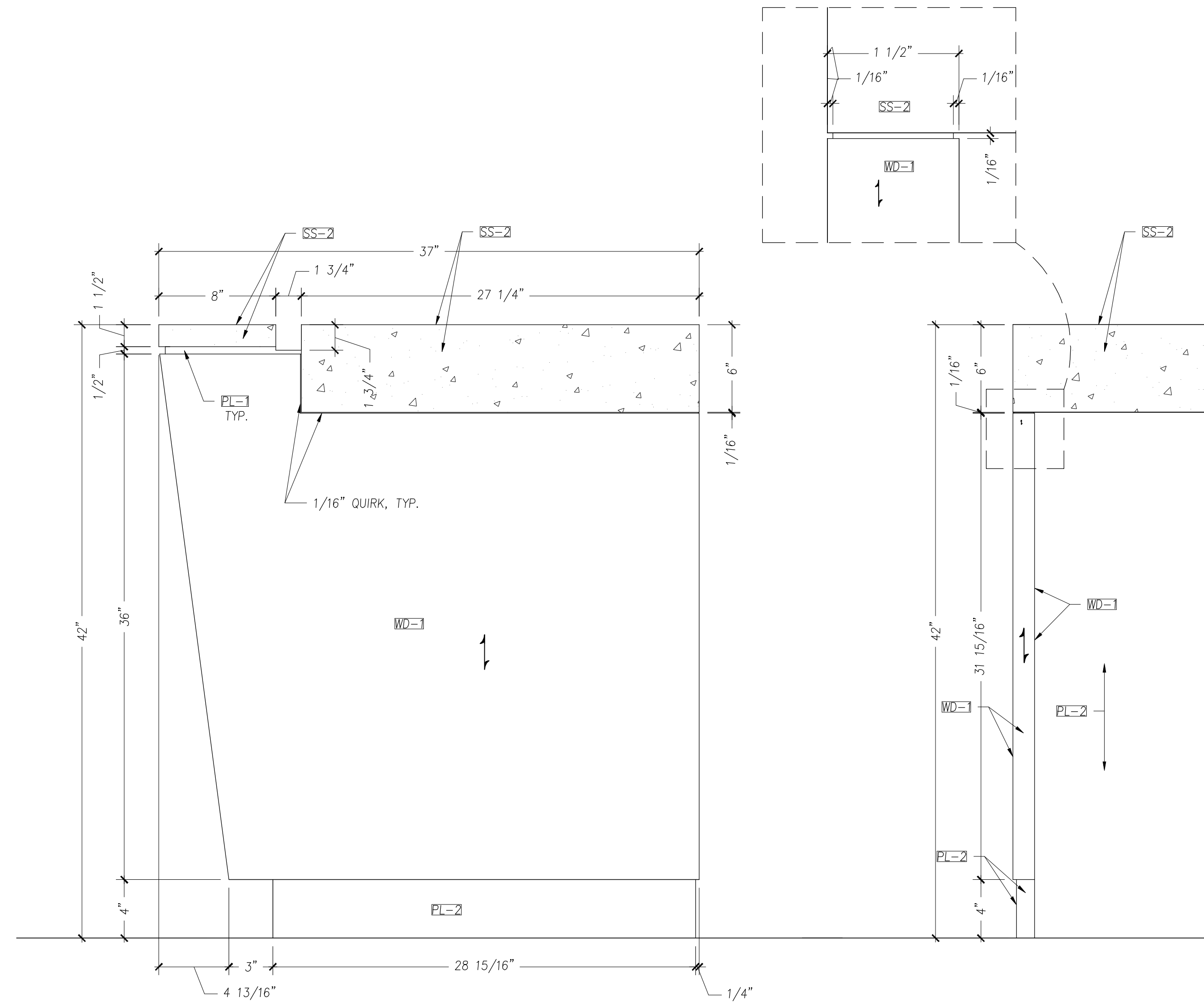
**1 KEY PLAN - KITCHEN 259**  
Scale: 1/2"=1'-0"



**2 ELEVATION - RADIUS DESK**  
Scale: 1"=1'-0"



**3 ELEVATION - RADIUS DESK**  
Scale: 1"=1'-0"



**4 ELEVATION - RADIUS DESK END**  
Scale: 2"=1'-0"

**5 ELEVATION - END SUPPORT**  
Scale: 2"=1'-0"

Note:  
Architect specify and/or  
approve items listed below

Wood Species	
WD1	Makore, Finished to Match Control Sample
WD2	Plain Sliced Figured Maple, Fin to Match Control Sample
WD3	
WD4	

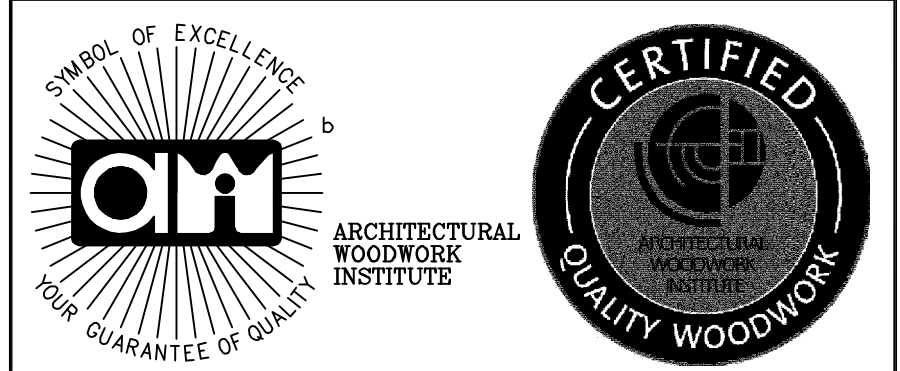
Plastic Laminate	
PL1	Formica DecoMetal - 2032 Brushed Pewter
PL2	Wilsonart - D354-60 Designer White Matte
PL3	
PL4	
PL5	
PL6	

Hardware	
H1	European Concealed Hinge
H2	5mm Shelf Pin
H3	Accuride Full Extension Slides #3832
H4	Pneumatic Lid Stay
H5	--
H6	--
H7	--
H8	--

Other Materials	
SS-1	Corian - Venaro White (C)
SS-2	ECO by Consentino - Riverbed, Recycled Glass Mt
ML-1	White Melamine
M-1	--
ST1	Granite - Stone Quarry - Labrador Antico
ST2	
ST3	

Exclusions			
E1	Finished Floor	E7	Dishwashers
E2	Finished Wall	E8	Appliances
E3	Finished Ceiling	E9	Vinyl Base Board
E4	Light Fixtures	E10	--
E5	Under Counter Refrigerator	E11	
E6	Sinks	E12	

SUBMITTALS		
NO	DATE	DESCRIPTION
1	2/20/12	FOR REVIEW
2	--	--
3	--	--
4	--	--
5	--	--

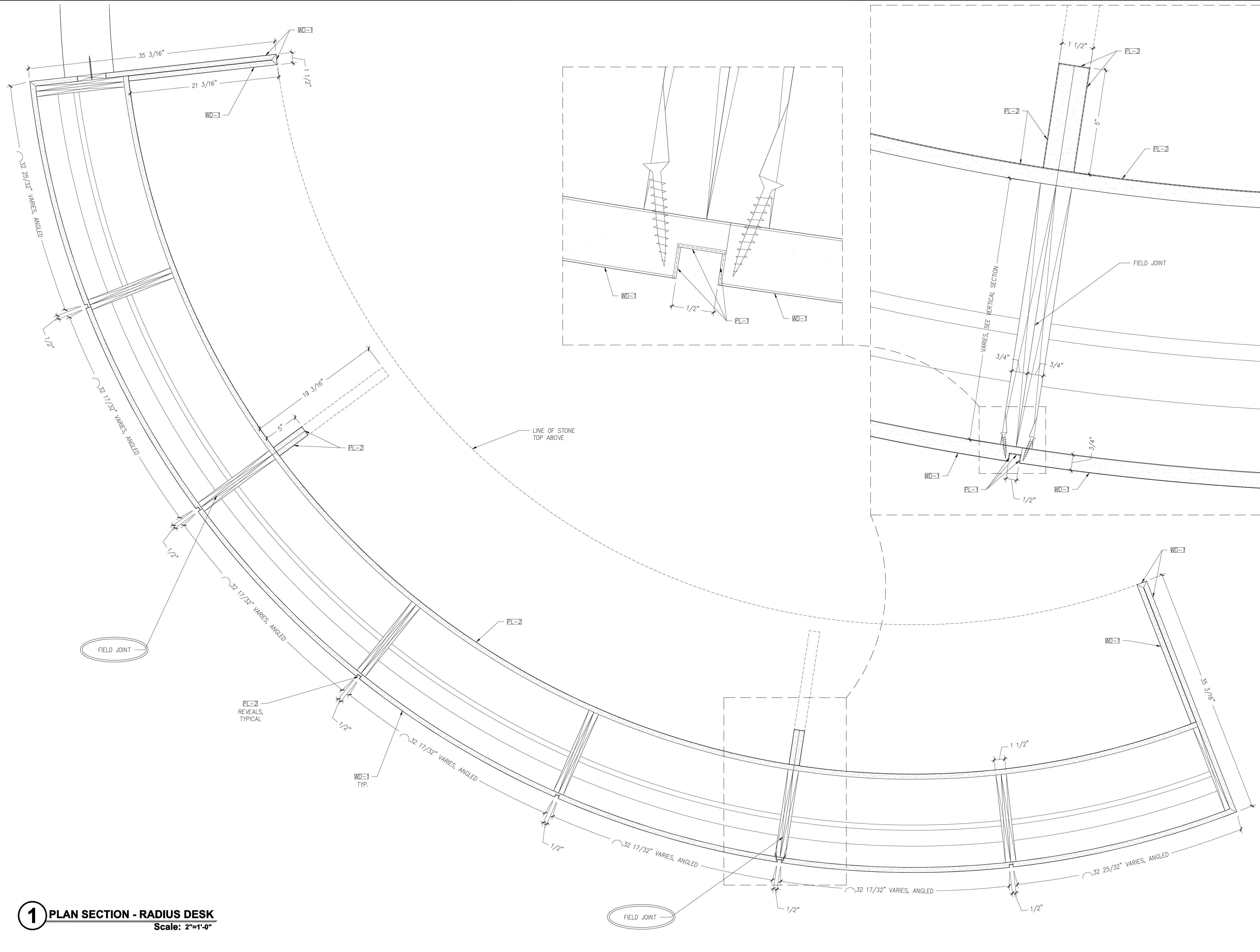


Project Title:  
**Discovery Center I**  
9365 Discovery Boulevard  
Manassas, Virginia 20109

Architect: Powers Brown Architecture  
800 Tower Crescent Dr. Suite 240, Vienna, VA 22182  
Contractor: R.W. Murray Company  
10440 Balls Ford Rd. Suite100, Manassas, VA 20109

Drawing Title:  
**FLOOR PLAN, ELEVATION - KITCHEN 259**

Drawn By:	Scale:	Job No.:	Dwg No.:
GM	As Noted		
Ref Dwg:	Date:	N/A	5.01
VARIOUS	2/20/12		



Note:  
Architect specify and/or  
approve items listed below

Wood Species	
WD1	Make, Finished to Match Control Sample
WD2	Plain Sliced Figured Maple, Fin to Match Control Sample
WD3	
WD4	

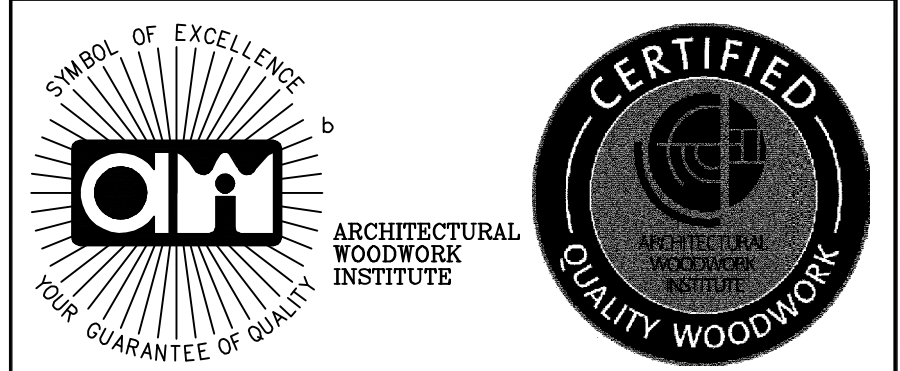
Plastic Laminate	
PL1	Formica DecoMetal - 2032 Brushed Pewter
PL2	Wilsonart - D354-60 Designer White Matte
PL3	
PL4	
PL5	
PL6	

Hardware	
H1	European Concealed Hinge
H2	5mm Shelf Pin
H3	Accuride Full Extension Slides #3832
H4	Pneumatic Lid Stay
H5	--
H6	--
H7	--
H8	--

Other Materials	
SS-1	Corian - Venaro White (C)
SS-2	ECO by Consentino - Riverbed, Recycled Glass Mt
ML-1	White Melamine
M-1	--
ST1	Granite - Stone Quarry - Labrador Antico
ST2	
ST3	

Exclusions			
E1	Finished Floor	E7	Dishwashers
E2	Finished Wall	E8	Appliances
E3	Finished Ceiling	E9	Vinyl Base Board
E4	Light Fixtures	E10	--
E5	Under Counter Refrigerator	E11	
E6	Sinks	E12	

SUBMITTALS		
NO	DATE	DESCRIPTION
1	2/20/12	FOR REVIEW
2	--	--
3	--	--
4	--	--
5	--	--



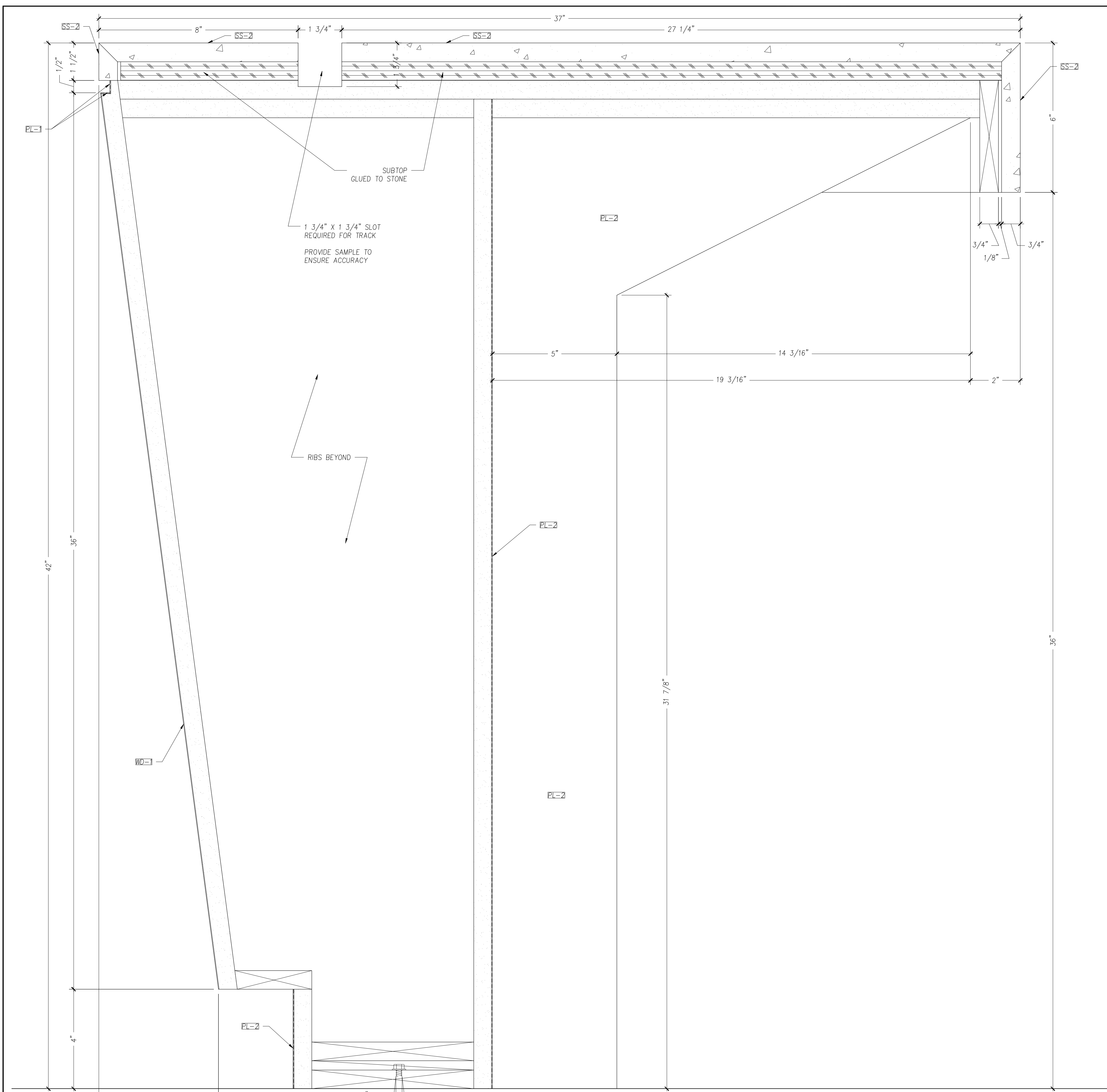
Project Title:  
**Discovery Center I**  
9365 Discovery Boulevard  
Manassas, Virginia 20109

Architect: Powers Brown Architecture  
800 Tower Crescent Dr. Suite 240, Vienna, VA 22182  
Contractor: R.W. Murray Company  
10440 Balls Ford Rd. Suite100, Manassas, VA 20109

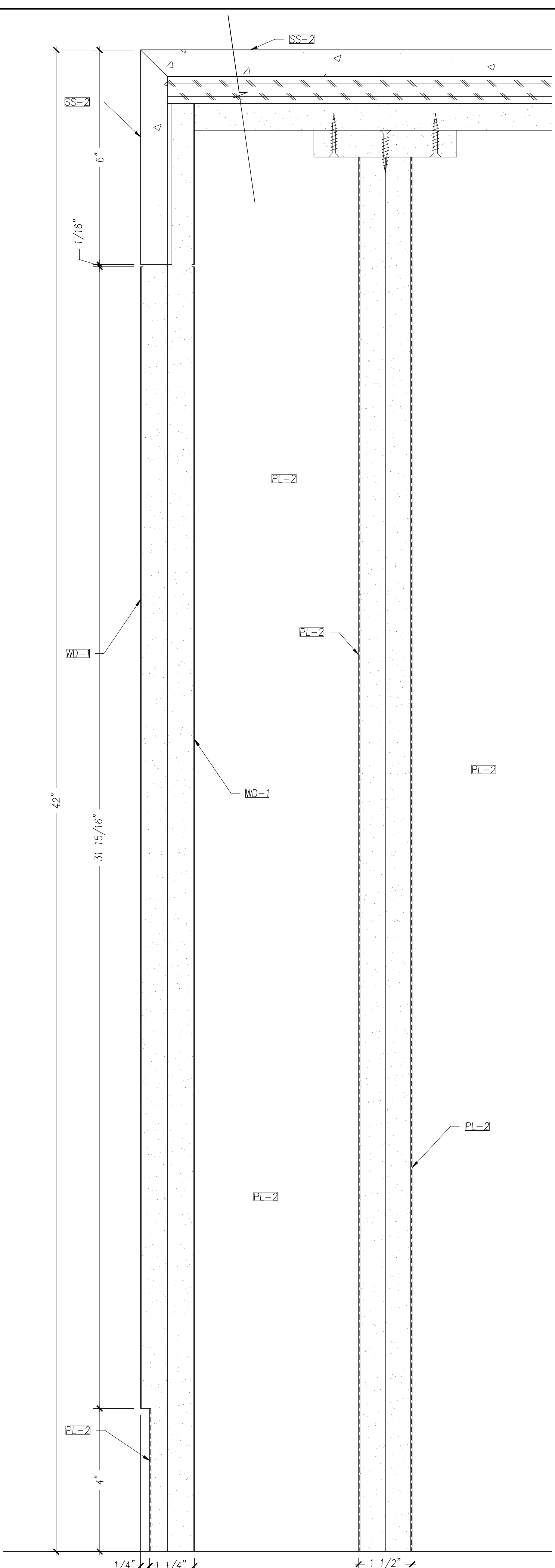
Drawing Title:  
**PLAN SECTION, RADIUS DESK / COUNTER**

Drawn By:	GM	Scale:	As Noted	Job No.:	N/A	Dwg No.:	5.02
Ref Dwg:	VARIOUS	Date:	2/20/12				

**1 PLAN SECTION - RADIUS DESK**  
Scale: 2"=1'-0"



**1 VERTICAL SECTION - RADIUS DESK**  
Scale: 6"=1'-0"



**2 VERTICAL SECTION - END SUPPORT**  
Scale: 6"=1'-0"

Note:  
Architect specify and/or  
approve items listed below

**Wood Species**

WD1	Makore, Finished to Match Control Sample
WD2	Plain Sliced Figured Maple, Fin to Match Control Sample
WD3	
WD4	

**Plastic Laminate**

PL1	Formica DecoMetal - 2032 Brushed Pewter
PL2	Wilsonart - D354-60 Designer White Matte
PL3	
PL4	
PL5	
PL6	

**Hardware**

H1	European Concealed Hinge
H2	5mm Shelf Pin
H3	Accuride Full Extension Slides #3832
H4	Pneumatic Lid Stay
H5	--
H6	--
H7	--
H8	--

**Other Materials**

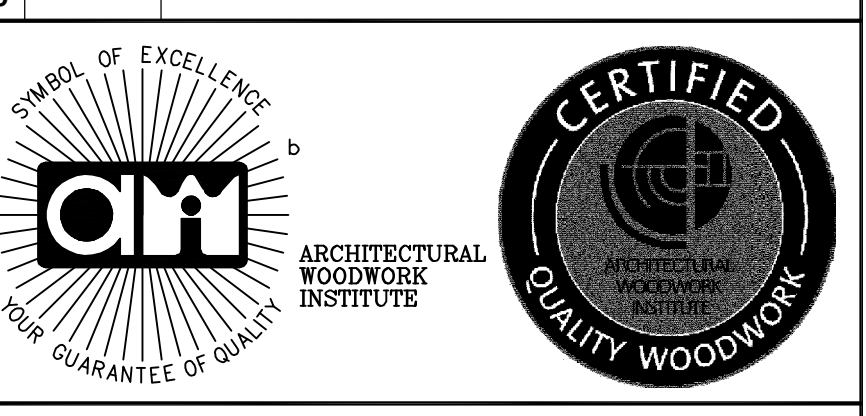
SS-1	Corian - Venaro White (C)
SS-2	ECO by Consentino - Riverbed, Recycled Glass Mt
ML-1	White Melamine
M-1	--
ST1	Granite - Stone Quarry - Labrador Antico
ST2	
ST3	

**Exclusions**

E1	Finished Floor	E7	Dishwashers
E2	Finished Wall	E8	Appliances
E3	Finished Ceiling	E9	Vinyl Base Board
E4	Light Fixtures	E10	--
E5	Under Counter Refrigerator	E11	
E6	Sinks	E12	

**SUBMITTALS**

NO	DATE	DESCRIPTION
1	2/20/12	FOR REVIEW
2	--	--
3	--	--
4	--	--
5	--	--



Project Title:  
**Discovery Center I**  
9365 Discovery Boulevard  
Manassas, Virginia 20109

Architect: Powers Brown Architecture  
800 Tower Crescent Dr. Suite 240, Vienna, VA 22182  
Contractor: R.W. Murray Company  
10440 Balls Ford Rd. Suite100, Manassas, VA 20109

Drawing Title:  
**VERTICAL SECTIONS - RADIUS DESK**

Drawn By:	GM	Scale:	As Noted	Job No:	N/A	Dwg No.	5.03
Ref Dwg:	VARIOUS	Date:	2/20/12				

Note:  
Architect specify and/or  
approve items listed below

**Wood Species**

- WD1 Makore, Finished to Match Control Sample
- WD2 Plain Sliced Figured Maple, Fin to Match Control Sample
- WD3
- WD4

**Plastic Laminate**

- PL1 Formica DecoMetal - 2032 Brushed Pewter
- PL2 Wilsonart - D354-60 Designer White Matte
- PL3
- PL4
- PL5
- PL6

**Hardware**

- H1 European Concealed Hinge
- H2 5mm Shelf Pin
- H3 Accuride Full Extension Slides #3832
- H4 Pneumatic Lid Stay
- H5 --
- H6 --
- H7 --
- H8 --

**Other Materials**

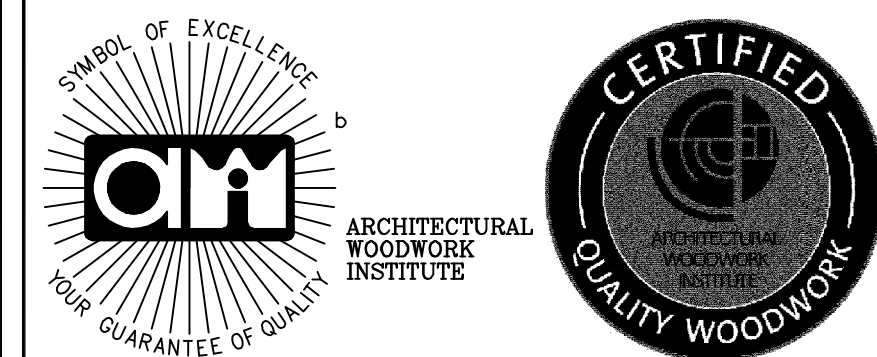
- SS-1 Corian - Venaro White (C)
- SS-2 ECO by Consentino - Riverbed, Recycled Glass Mtl
- ML-1 White Melamine
- M-1 --
- ST1 Granite - Stone Quarry - Labrador Antico
- ST2
- ST3

**Exclusions**

- |                               |                     |
|-------------------------------|---------------------|
| E1 Finished Floor             | E7 Dishwashers      |
| E2 Finished Wall              | E8 Appliances       |
| E3 Finished Ceiling           | E9 Vinyl Base Board |
| E4 Light Fixtures             | E10 --              |
| E5 Under Counter Refrigerator | E11                 |
| E6 Sinks                      | E12                 |

**SUBMITTALS**

NO	DATE	DESCRIPTION
1	2/20/12	FOR REVIEW
2	--	--
3	--	--
4	--	--
5	--	--

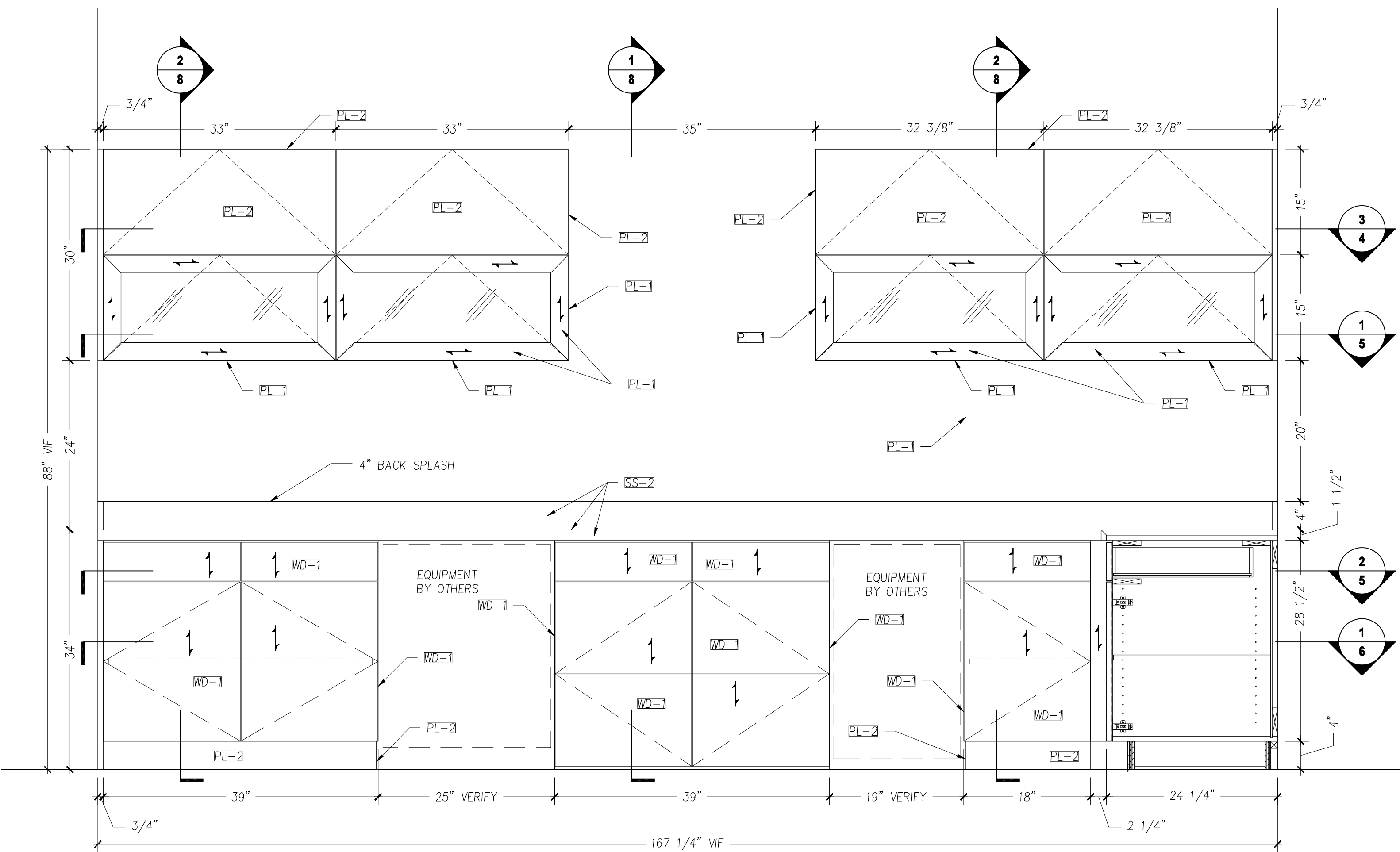


Project Title:  
**Discovery Center I**  
9365 Discovery Boulevard  
Manassas, Virginia 20109

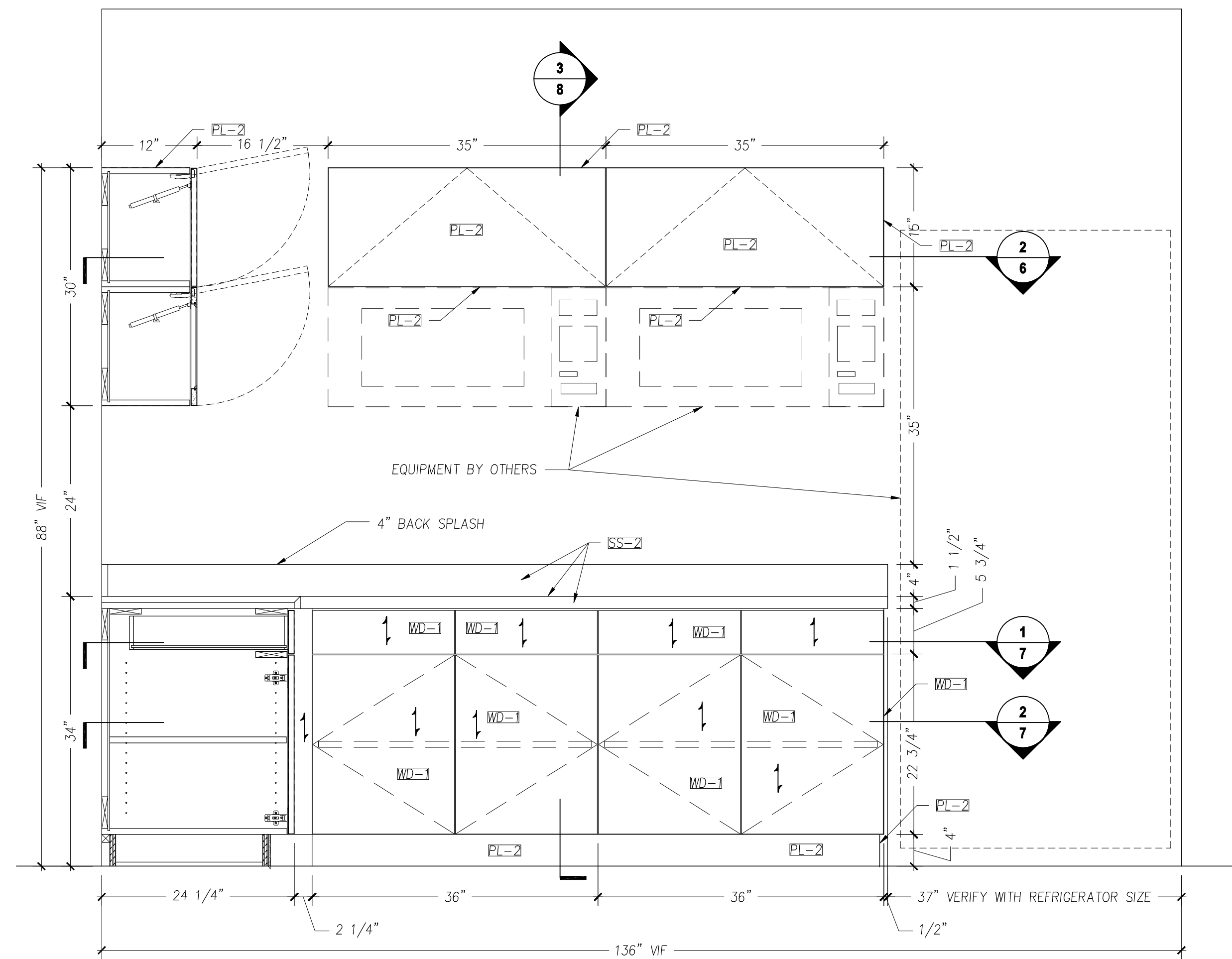
Architect: Powers Brown Architecture  
800 Tower Crescent Dr. Suite 240, Vienna, VA 22182  
Contractor: R.W. Murray Company  
10440 Balls Ford Rd. Suite100, Manassas, VA 20109

Drawing Title:  
**ELEVATIONS, SECTION - KITCHEN 259**

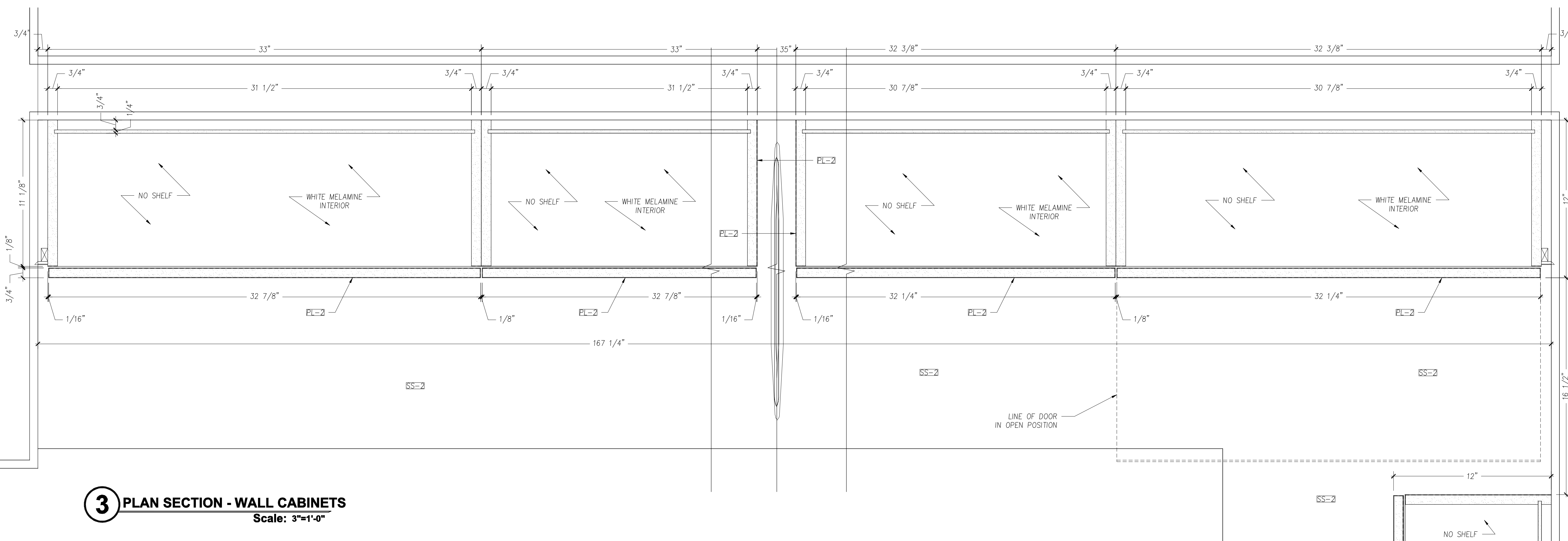
Drawn By: GM	Scale: As Noted	Job No: N/A	Dwg No: 5.04
Ref Dwg: VARIOUS	Date: 2/20/12		



**1 ELEVATION - KITCHEN 259**  
Scale: 1"=1'-0"



**2 ELEVATION - KITCHEN 259**  
Scale: 1"=1'-0"



**3 PLAN SECTION - WALL CABINETS**  
Scale: 3"=1'-0"

Note:  
Architect specify and/or  
approve items listed below

**Wood Species**

WD1	Make, Finished to Match Control Sample
WD2	Plain Sliced Figured Maple, Fin to Match Control Sample
WD3	
WD4	

**Plastic Laminate**

PL1	Formica DecoMetal - 2032 Brushed Pewter
PL2	Wilsonart - D354-60 Designer White Matte
PL3	
PL4	
PL5	
PL6	

**Hardware**

H1	European Concealed Hinge
H2	5mm Shelf Pin
H3	Accuride Full Extension Slides #3832
H4	Pneumatic Lid Stay
H5	--
H6	--
H7	--
H8	--

**Other Materials**

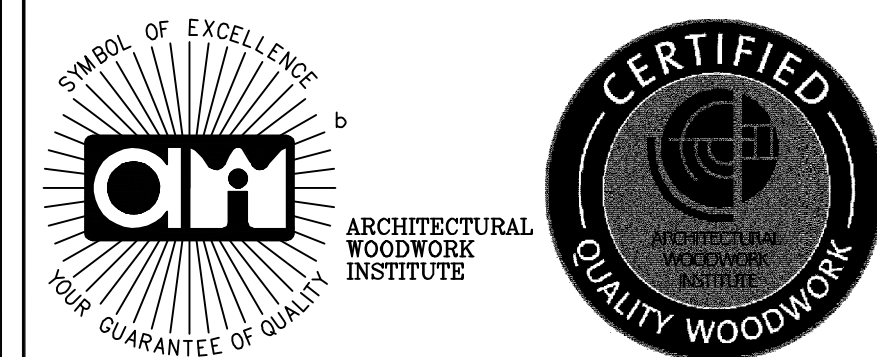
SS-1	Corian - Venaro White (C)
SS-2	ECO by Consentino - Riverbed, Recycled Glass Mt
ML-1	White Melamine
M-1	--
ST1	Granite - Stone Quarry - Labrador Antico
ST2	
ST3	

**Exclusions**

E1	Finished Floor	E7	Dishwashers
E2	Finished Wall	E8	Appliances
E3	Finished Ceiling	E9	Vinyl Base Board
E4	Light Fixtures	E10	--
E5	Under Counter Refrigerator	E11	
E6	Sinks	E12	

**SUBMITTALS**

NO	DATE	DESCRIPTION
1	2/20/12	FOR REVIEW
2	--	--
3	--	--
4	--	--
5	--	--

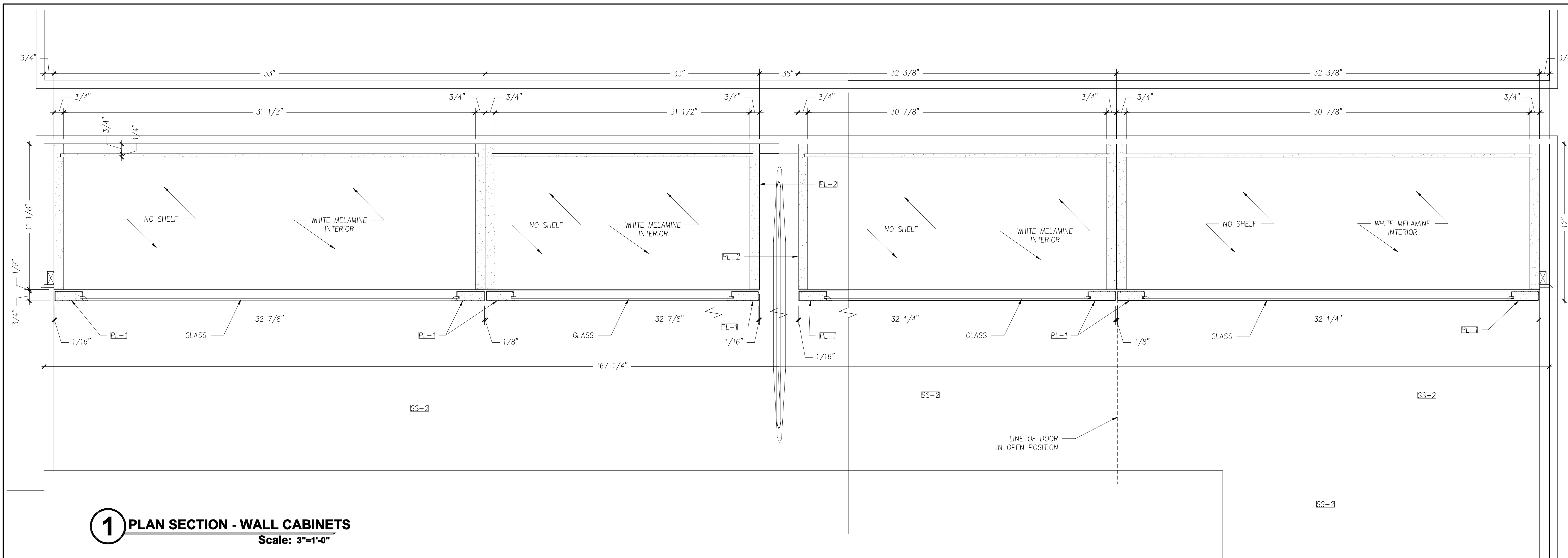


Project Title:  
**Discovery Center I**  
9365 Discovery Boulevard  
Manassas, Virginia 20109

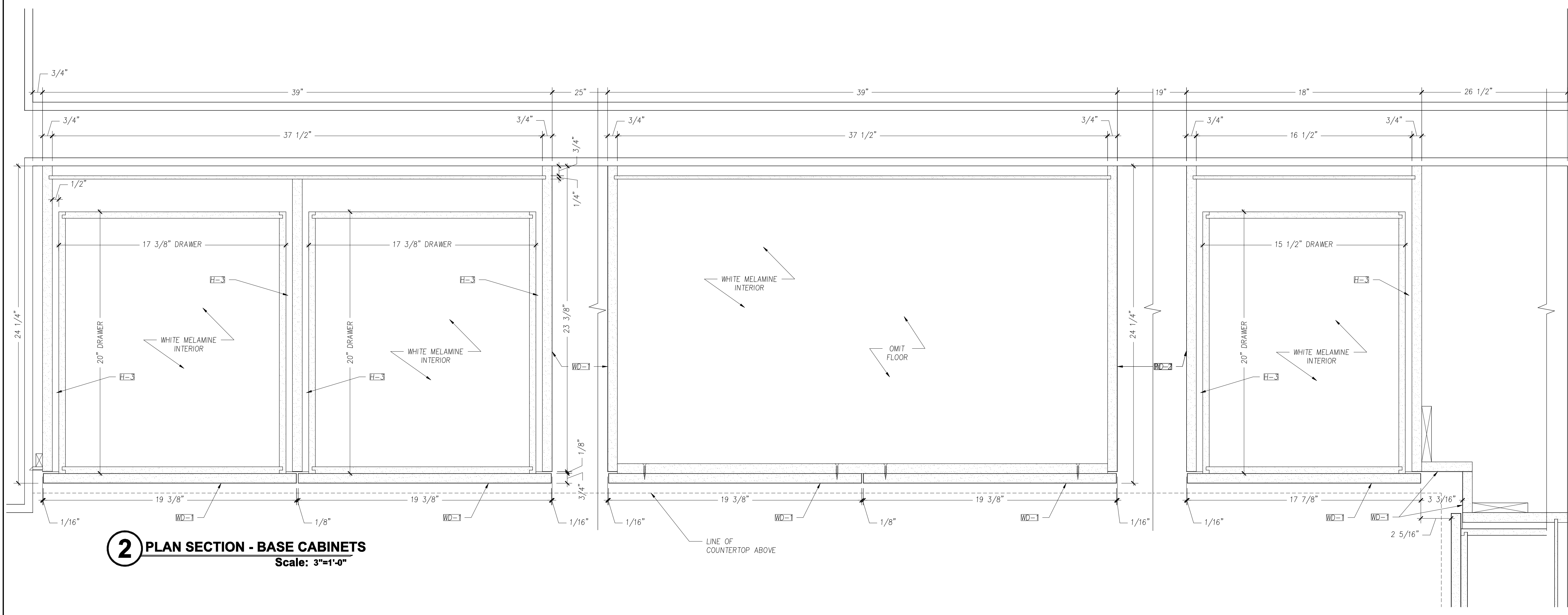
Architect: Powers Brown Architecture  
800 Tower Crescent Dr. Suite 240, Vienna, VA 22182  
Contractor: R.W. Murray Company  
10440 Balls Ford Rd. Suite 100, Manassas, VA 20109

Drawing Title:  
**PLAN SECTIONS - KITCHEN 259**

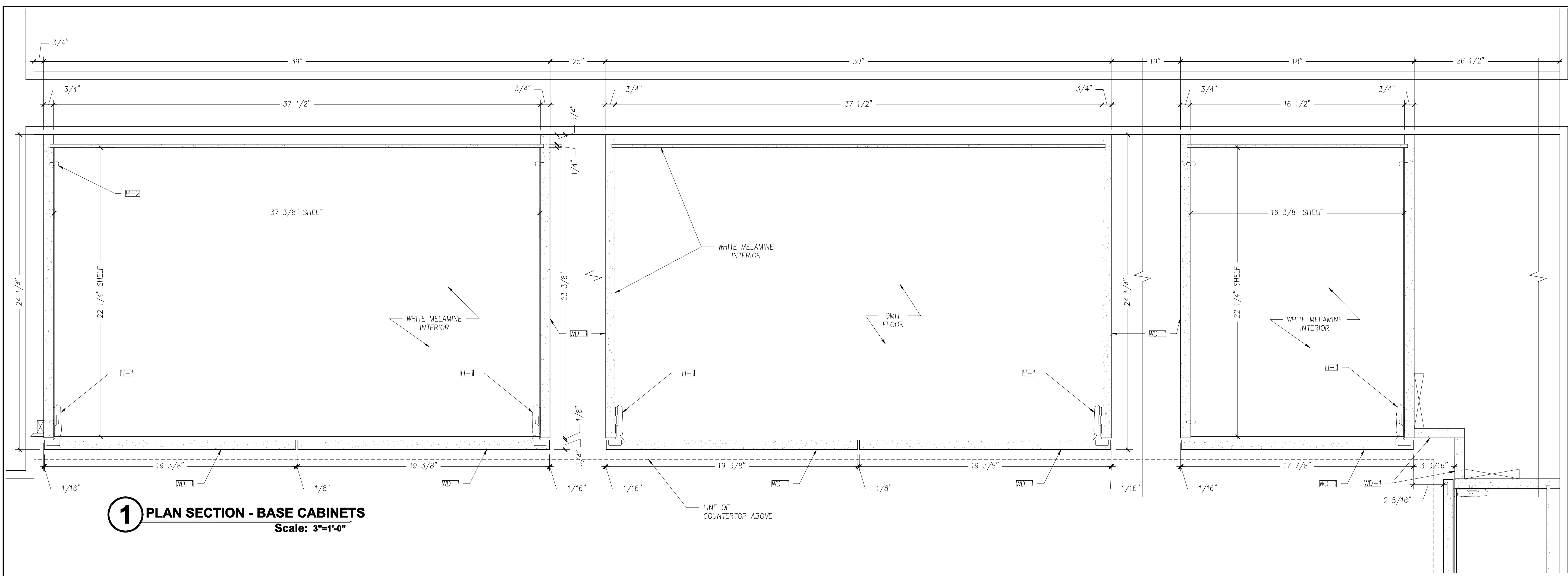
Drawn By:	GM	Scale:	As Noted	Job No.:	N/A	Dwg No.:	5.05
Ref Dwg.:	VARIOUS	Date:	2/20/12				



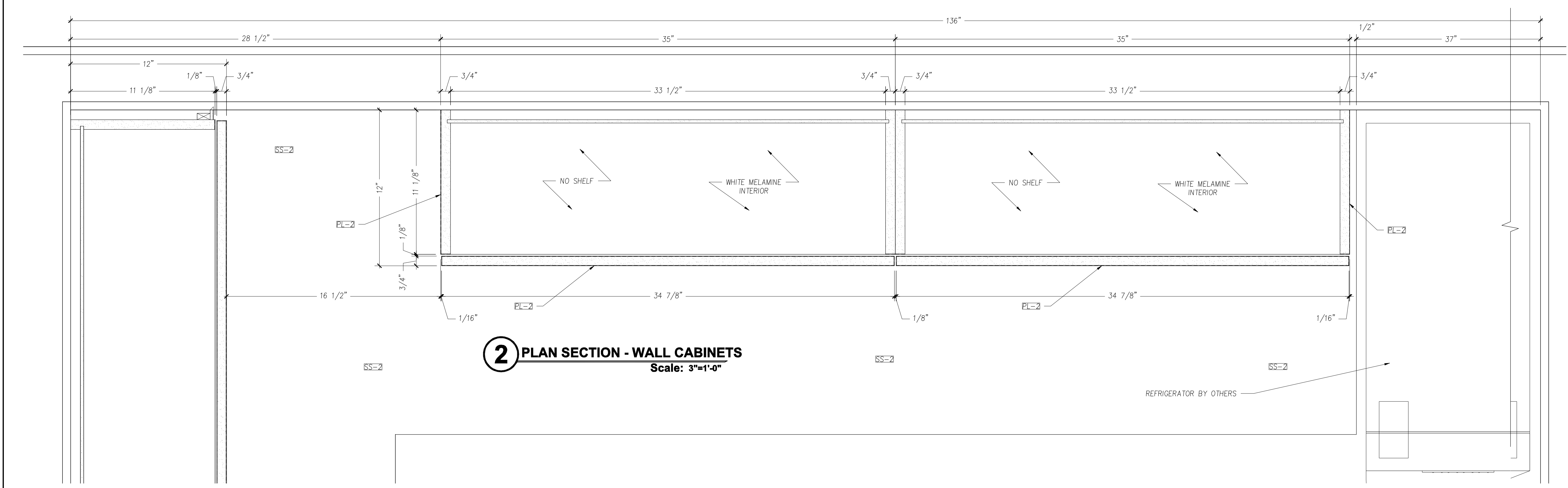
**1 PLAN SECTION - WALL CABINETS**  
Scale: 3"=1'-0"



**2 PLAN SECTION - BASE CABINETS**  
Scale: 3"=1'-0"



**1 PLAN SECTION - BASE CABINETS**  
Scale: 3"=1'-0"



**2 PLAN SECTION - WALL CABINETS**  
Scale: 3"=1'-0"

Note:  
Architect specify and/or  
approve items listed below

**Wood Species**

WD1	Makore, Finished to Match Control Sample
WD2	Plain Sliced Figured Maple, Fin to Match Control Sample
WD3	
WD4	

**Plastic Laminate**

PL1	Formica DecoMetal - 2032 Brushed Pewter
PL2	Wilsonart - D354-60 Designer White Matte
PL3	
PL4	
PL5	
PL6	

**Hardware**

H1	European Concealed Hinge
H2	5mm Shelf Pin
H3	Accuride Full Extension Slides #3832
H4	Pneumatic Lid Stay
H5	--
H6	--
H7	--
H8	--

**Other Materials**

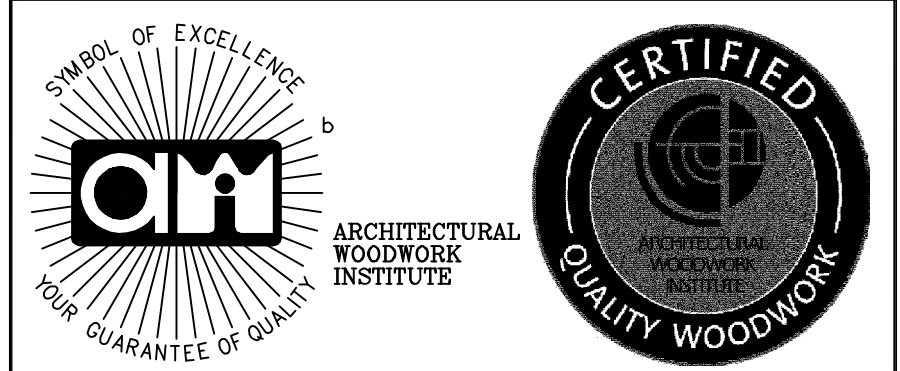
SS-1	Corian - Venaro White (C)
SS-2	ECO by Consentino - Riverbed, Recycled Glass Mt
ML-1	White Melamine
M-1	--
ST1	Granite - Stone Quarry - Labrador Antico
ST2	
ST3	

**Exclusions**

E1	Finished Floor	E7	Dishwashers
E2	Finished Wall	E8	Appliances
E3	Finished Ceiling	E9	Vinyl Base Board
E4	Light Fixtures	E10	--
E5	Under Counter Refrigerator	E11	
E6	Sinks	E12	

**SUBMITTALS**

NO	DATE	DESCRIPTION
1	2/20/12	FOR REVIEW
2	--	--
3	--	--
4	--	--
5	--	--

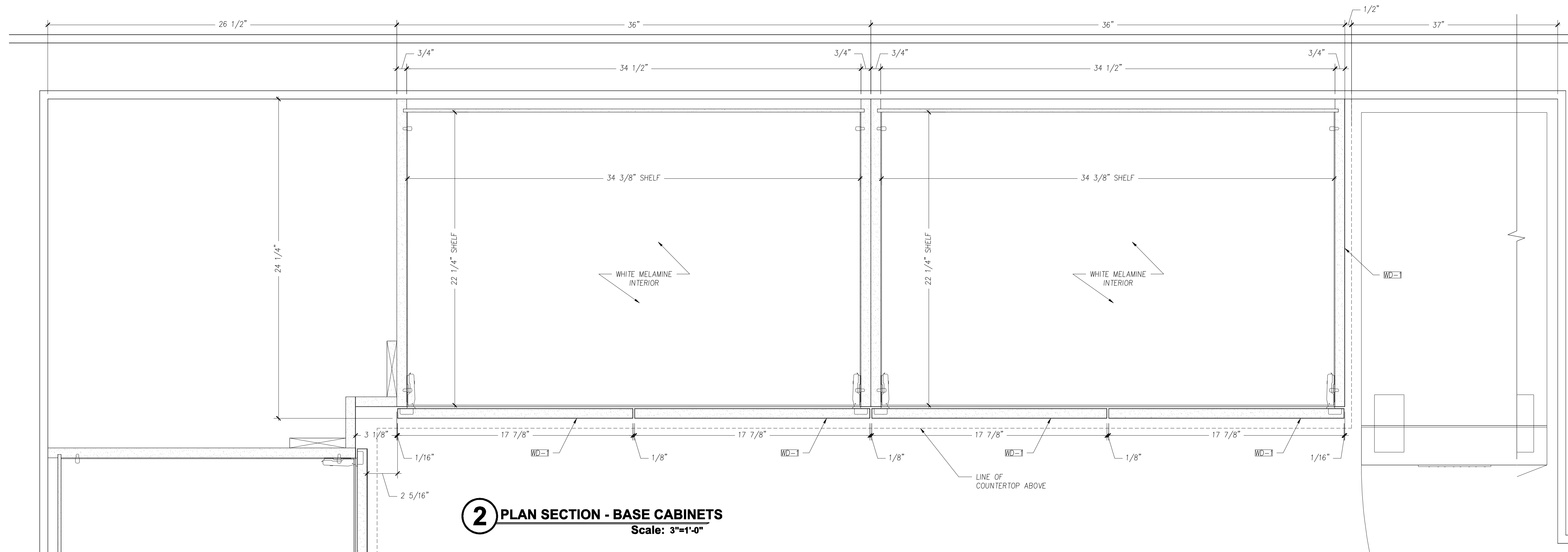
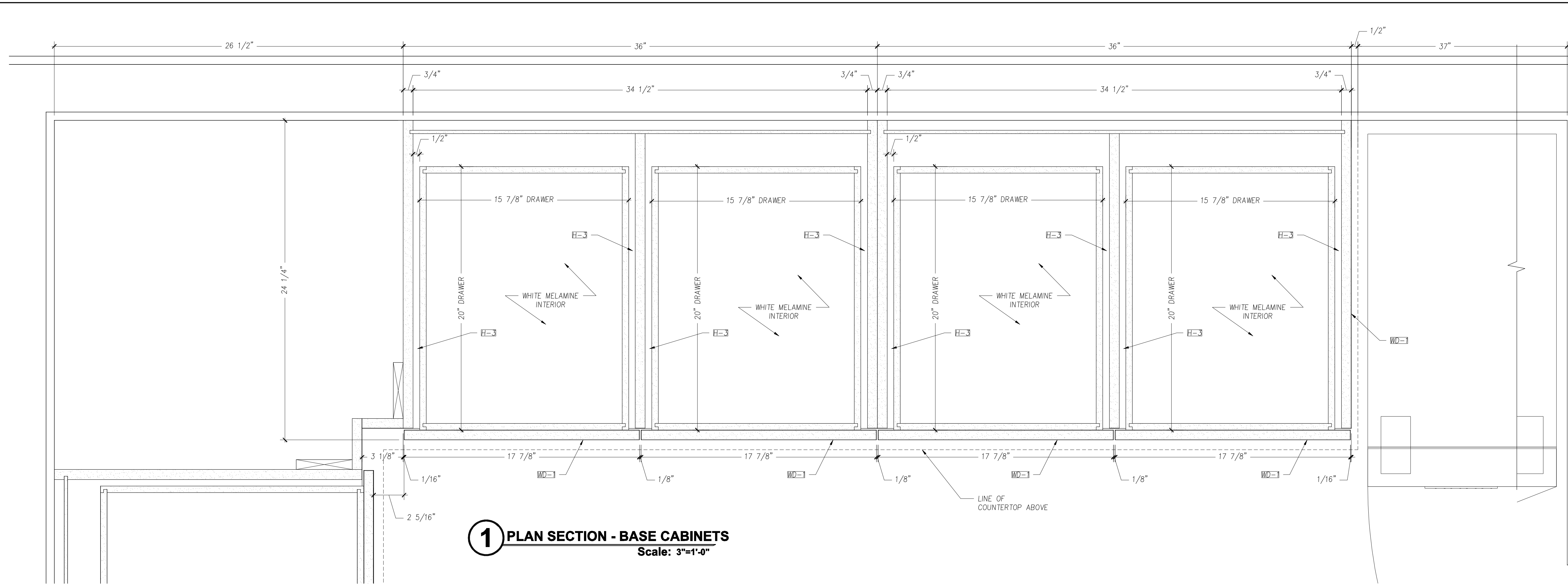


Project Title:  
**Discovery Center I**  
9365 Discovery Boulevard  
Manassas, Virginia 20109

Architect: Powers Brown Architecture  
800 Tower Crescent Dr. Suite 240, Vienna, VA 22182  
Contractor: R.W. Murray Company  
10440 Balls Ford Rd. Suite100, Manassas, VA 20109

Drawing Title:  
**PLAN SECTIONS RESTROOM 106**

Drawn By:	GM	Scale:	As Noted	Job No:	N/A	Dwg No:	5.06
Ref Dwg:	VARIOUS	Date:	2/20/12				



Note:  
Architect specify and/or  
approve items listed below

**Wood Species**

WD1	Makore, Finished to Match Control Sample
WD2	Plain Sliced Figured Maple, Fin to Match Control Sample
WD3	
WD4	

**Plastic Laminate**

PL1	Formica DecoMetal - 2032 Brushed Pewter
PL2	Wilsonart - D354-60 Designer White Matte
PL3	
PL4	
PL5	
PL6	

**Hardware**

H1	European Concealed Hinge
H2	5mm Shelf Pin
H3	Accuride Full Extension Slides #3832
H4	Pneumatic Lid Stay
H5	--
H6	--
H7	--
H8	--

**Other Materials**

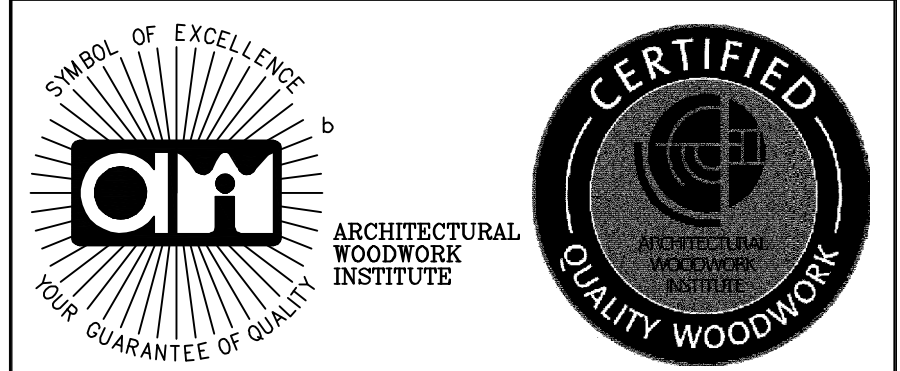
SS-1	Corian - Venaro White (C)
SS-2	ECO by Consentino - Riverbed, Recycled Glass Mt
ML-1	White Melamine
M-1	--
ST1	Granite - Stone Quarry - Labrador Antico
ST2	
ST3	

**Exclusions**

E1	Finished Floor	E7	Dishwashers
E2	Finished Wall	E8	Appliances
E3	Finished Ceiling	E9	Vinyl Base Board
E4	Light Fixtures	E10	--
E5	Under Counter Refrigerator	E11	
E6	Sinks	E12	

**SUBMITTALS**

NO	DATE	DESCRIPTION
1	2/20/12	FOR REVIEW
2	--	--
3	--	--
4	--	--
5	--	--



Project Title:  
**Discovery Center I**  
9365 Discovery Boulevard  
Manassas, Virginia 20109

Architect: Powers Brown Architecture  
800 Tower Crescent Dr. Suite 240, Vienna, VA 22182  
Contractor: R.W. Murray Company  
10440 Balls Ford Rd. Suite100, Manassas, VA 20109

Drawing Title:  
**VERTICAL SECTIONS RESTROOM 106**

Drawn By:	GM	Scale:	As Noted	Job No:	N/A	Dwg No:	5.07
Ref Dwg:	VARIOUS	Date:	2/20/12				

Note:  
Architect specify and/or  
approve items listed below

**Wood Species**

WD1	Make, Finished to Match Control Sample
WD2	Plain Sliced Figured Maple, Fin to Match Control Sample
WD3	
WD4	

**Plastic Laminate**

PL1	Formica DecoMetal - 2032 Brushed Pewter
PL2	Wilsonart - D354-60 Designer White Matte
PL3	
PL4	
PL5	
PL6	

**Hardware**

H1	European Concealed Hinge
H2	5mm Shelf Pin
H3	Accuride Full Extension Slides #3832
H4	Pneumatic Lid Stay
H5	--
H6	--
H7	--
H8	--

**Other Materials**

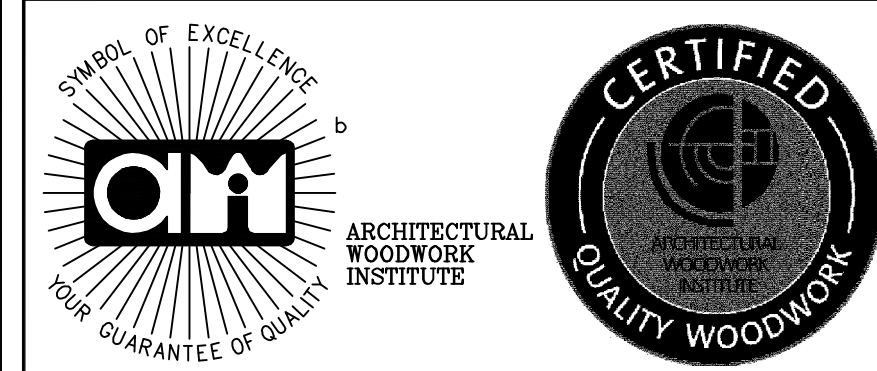
SS-1	Corian - Venaro White (C)
SS-2	ECO by Consentino - Riverbed, Recycled Glass Mt
ML-1	White Melamine
M-1	--
ST1	Granite - Stone Quarry - Labrador Antico
ST2	
ST3	

**Exclusions**

E1	Finished Floor	E7	Dishwashers
E2	Finished Wall	E8	Appliances
E3	Finished Ceiling	E9	Vinyl Base Board
E4	Light Fixtures	E10	--
E5	Under Counter Refrigerator	E11	
E6	Sinks	E12	

**SUBMITTALS**

NO	DATE	DESCRIPTION
1	2/20/12	FOR REVIEW
2	--	--
3	--	--
4	--	--
5	--	--

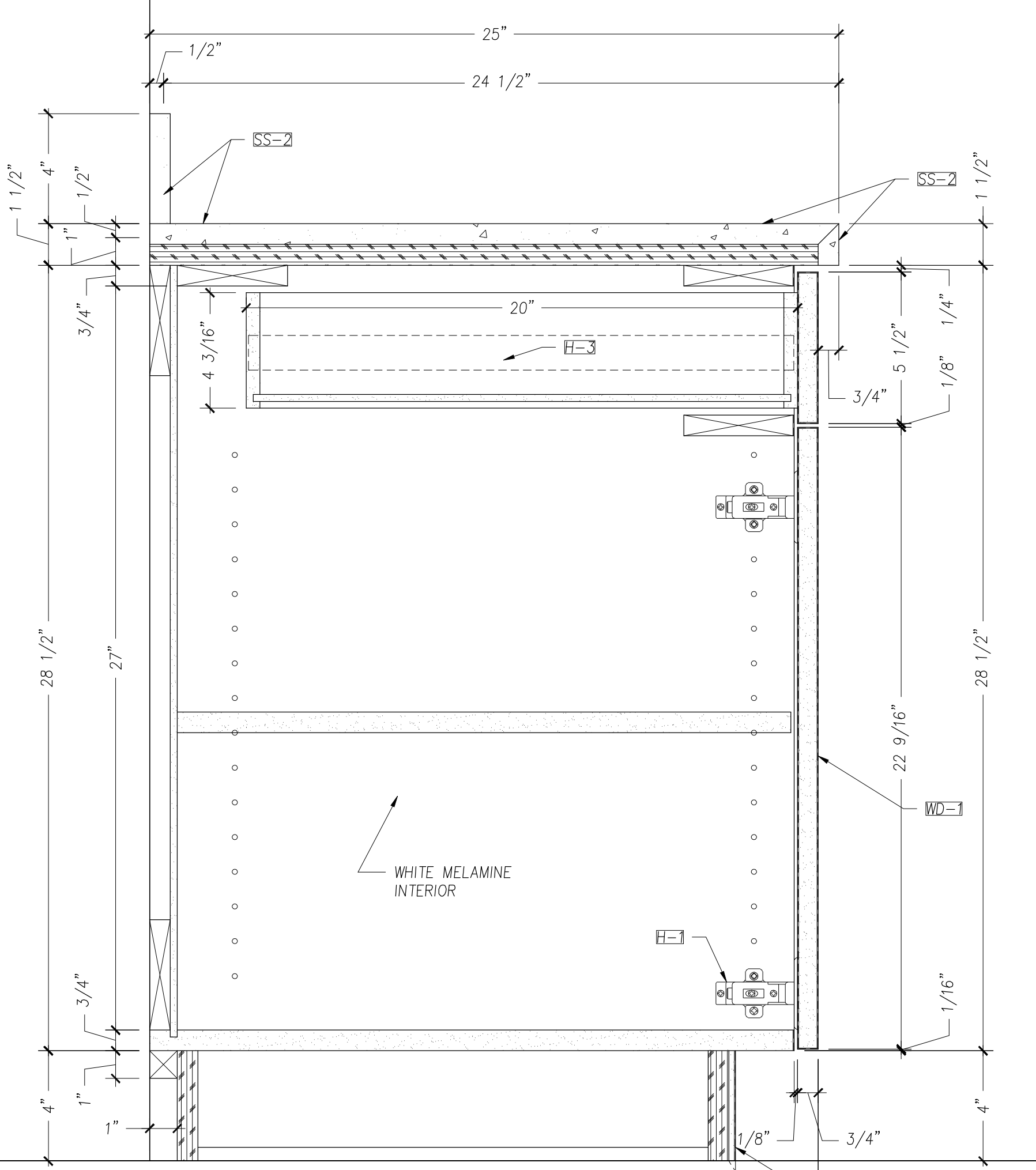
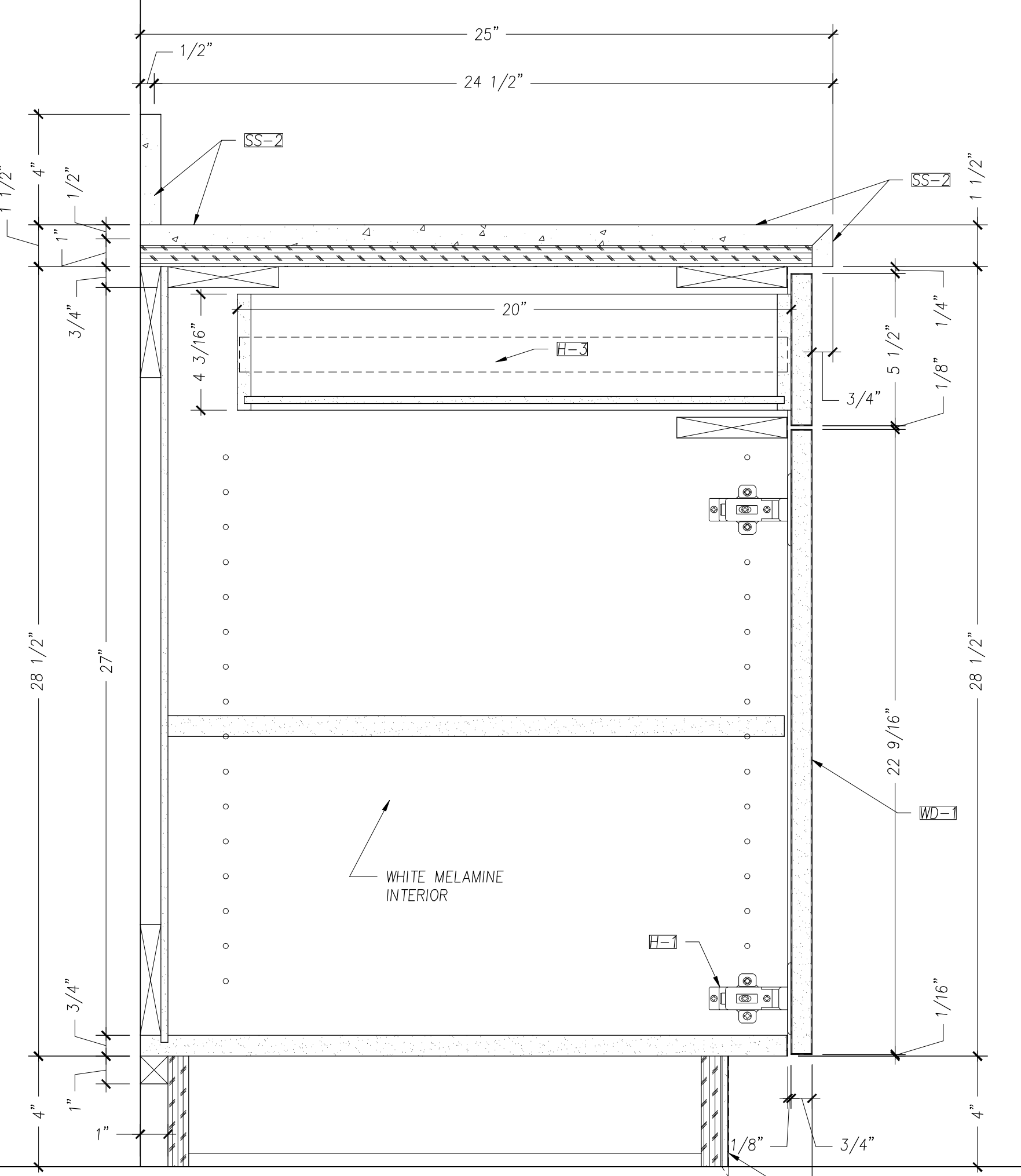
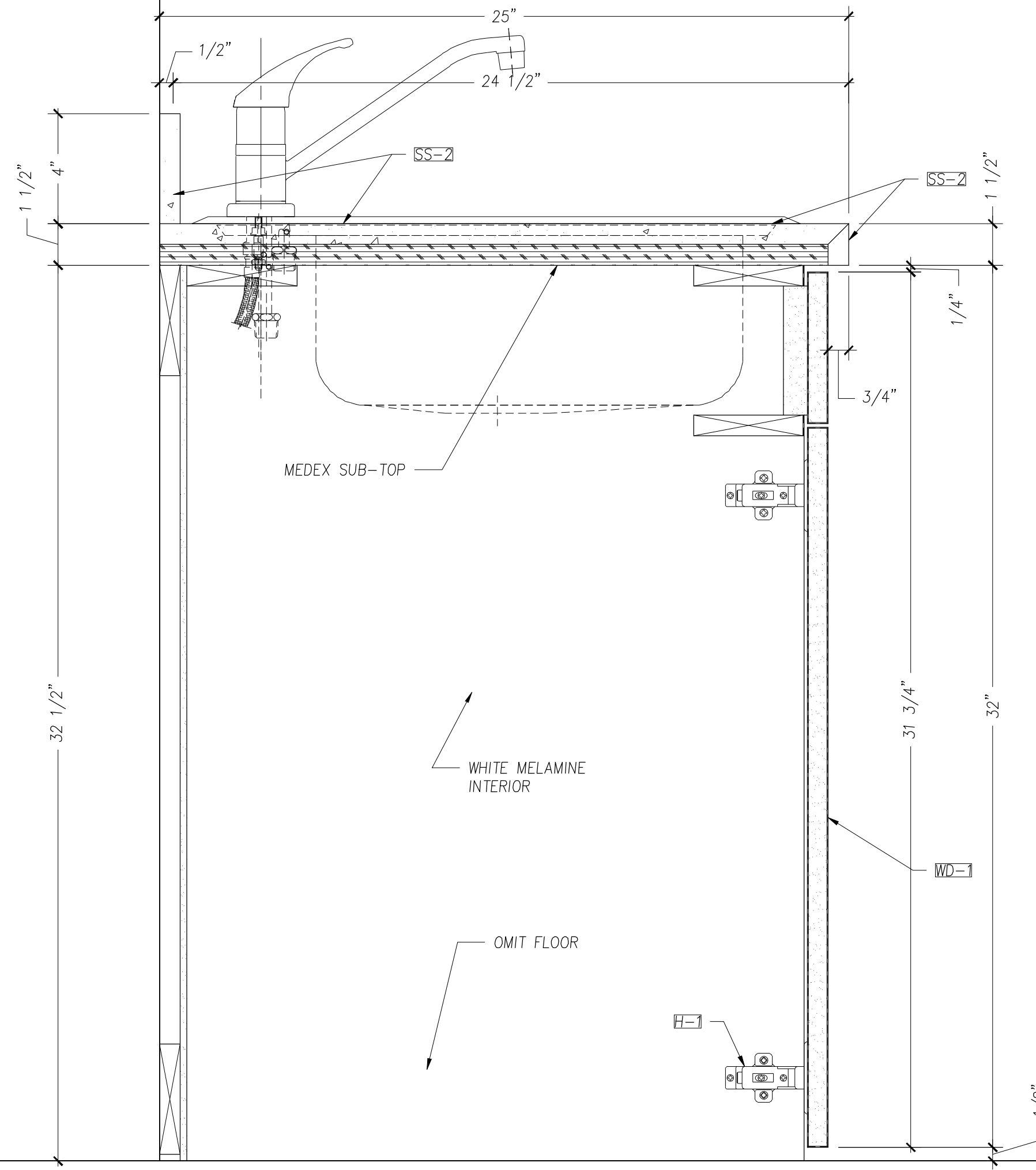
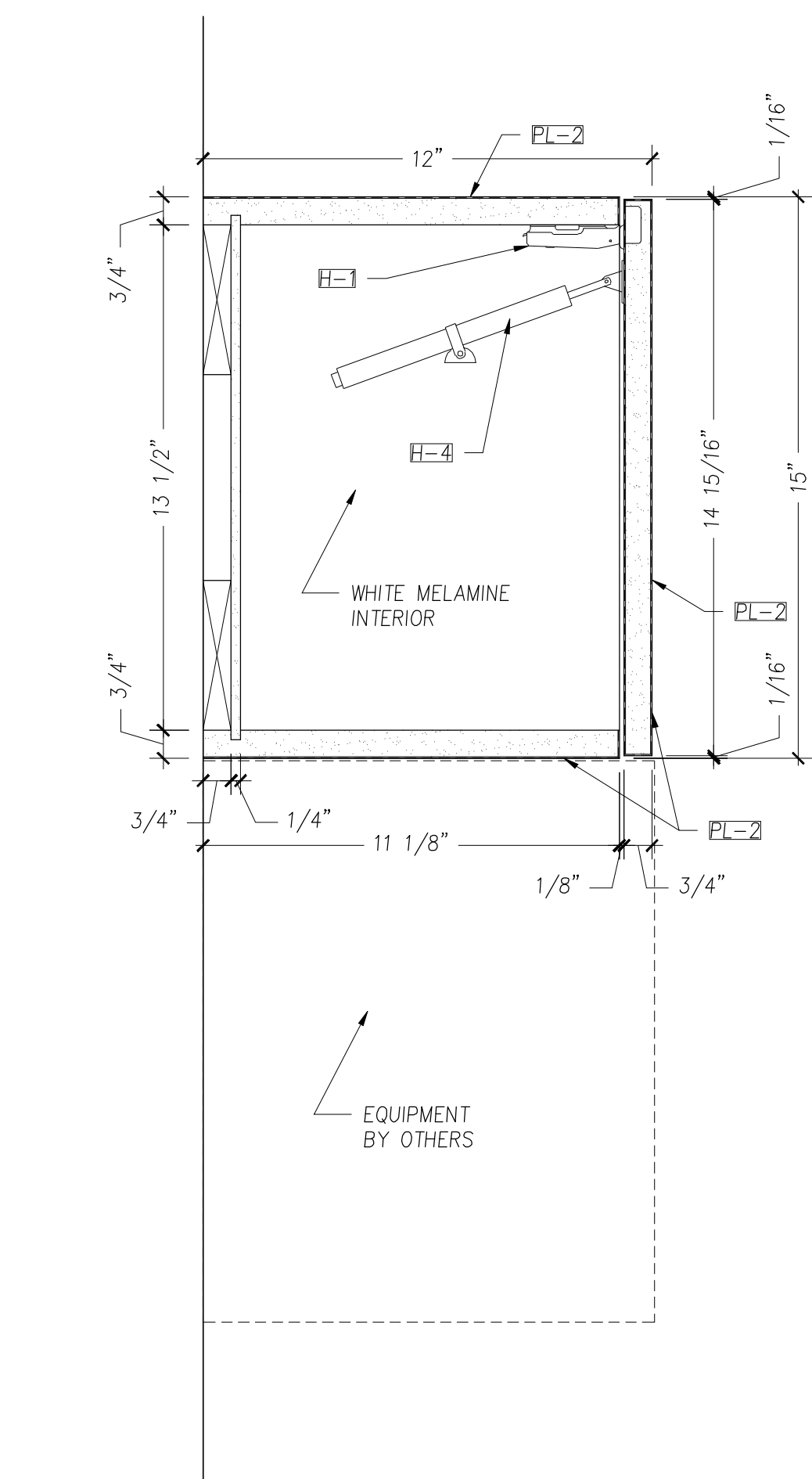
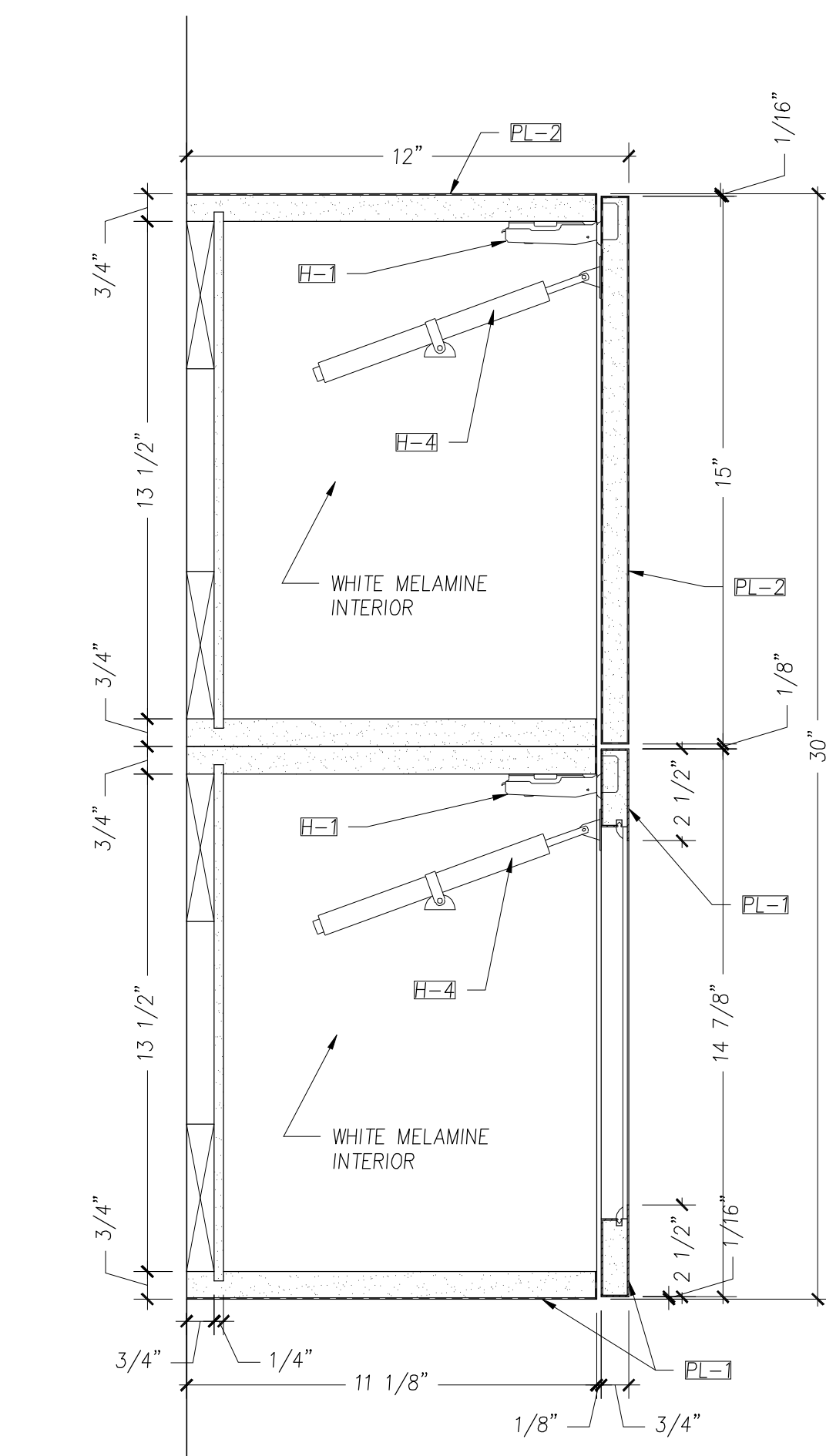


Project Title:  
**Discovery Center I**  
9365 Discovery Boulevard  
Manassas, Virginia 20109

Architect: Powers Brown Architecture  
800 Tower Crescent Dr. Suite 240, Vienna, VA 22182  
Contractor: R.W. Murray Company  
10440 Balls Ford Rd. Suite100, Manassas, VA 20109

Drawing Title:  
**VERTICAL SECTIONS - KITCHEN 259**

Drawn By:	GM	Scale:	As Noted	Job No:	N/A	Dwg No:	5.08
Ref Dwg:	VARIOUS	Date:	2/20/12				



**1** VERTICAL SECTION -KITCHEN 259  
Scale: 3"=1'-0"

**2** VERTICAL SECTION -KITCHEN 259  
Scale: 3"=1'-0"

**3** VERTICAL SECTION -KITCHEN 259  
Scale: 3"=1'-0"