

1 FLOOR PLAN - 1ST FLOOR
Scale: 3/8"=1'-0"

2 REFLECTED CLG - 1ST FLOOR
Scale: 3/8"=1'-0"

All Dimensions On This Page Are Verify In Field

Note:
Architect specify and/or approve items listed below

Wood Species	
WD1	Makore, finished to match control sample
WD2	
WD3	
WD4	

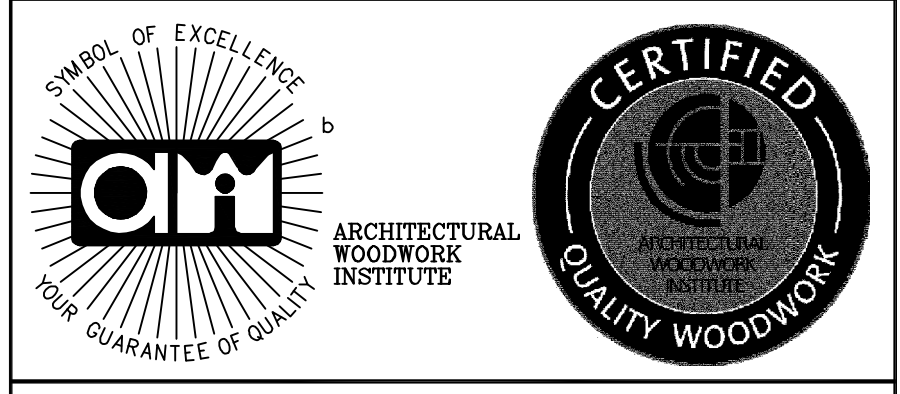
Plastic Laminate	
PL1	Formica DecoMetal - 2032 Brushed Pewter
PL2	
PL3	
PL4	
PL5	
PL6	

Hardware	
H1	European Concealed Hinge
H2	5mm Shelf Pin
H3	Accuride Full Extension Slides #3832
H4	--
H5	--
H6	--
H7	--
H8	--

Other Materials	
SS-1	--
SS-2	--
ML-1	--
M-1	--
ST1	--
ST2	--
ST3	--

Exclusions			
E1	Finished Floor	E7	Dishwashers
E2	Finished Wall	E8	Appliances
E3	Finished Ceiling	E9	Vinyl Base Board
E4	Light Fixtures	E10	Stone Countertops
E5	Under Counter Refrigerator	E11	
E6	Sinks	E12	

SUBMITTALS		
NO	DATE	DESCRIPTION
1	2/13/12	FOR REVIEW
2	--	--
3	--	--
4	--	--
5	--	--

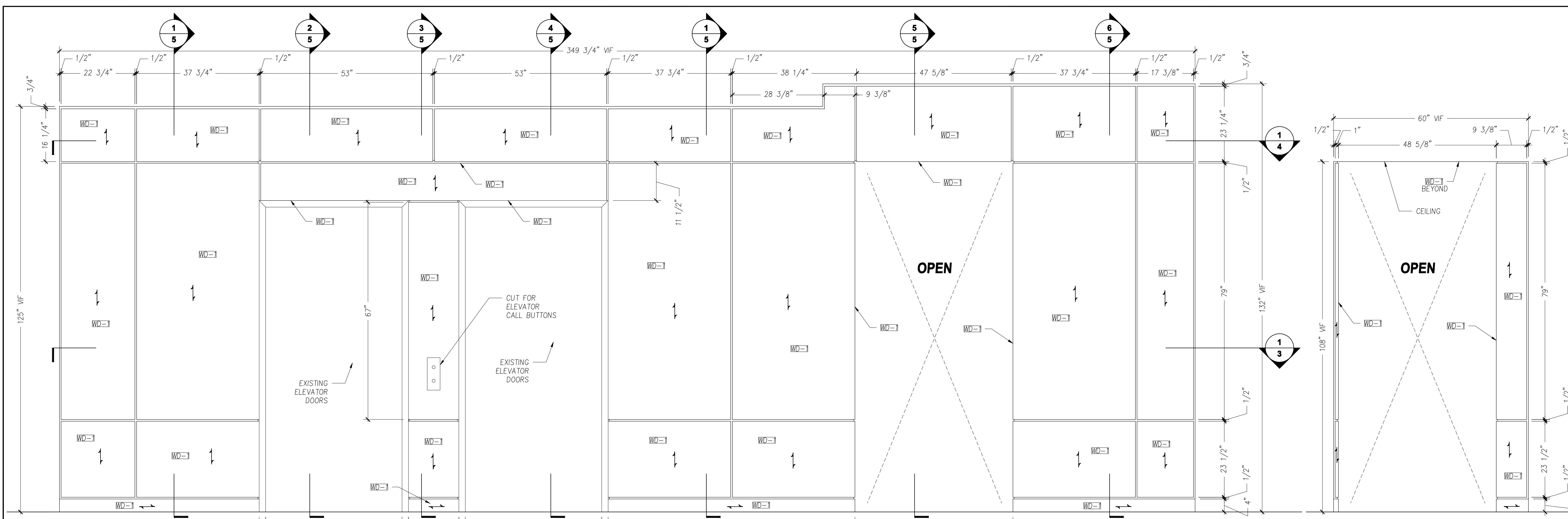


Project Title:
Discovery Center I
9365 Discovery Boulevard
Manassas, Virginia 20109

Architect: Powers Brown Architecture
800 Tower Crescent Dr. Suite 240, Vienna, VA 22182
Contractor: R.W. Murray Company
10440 Balls Ford Rd. Suite100, Manassas, VA 20109

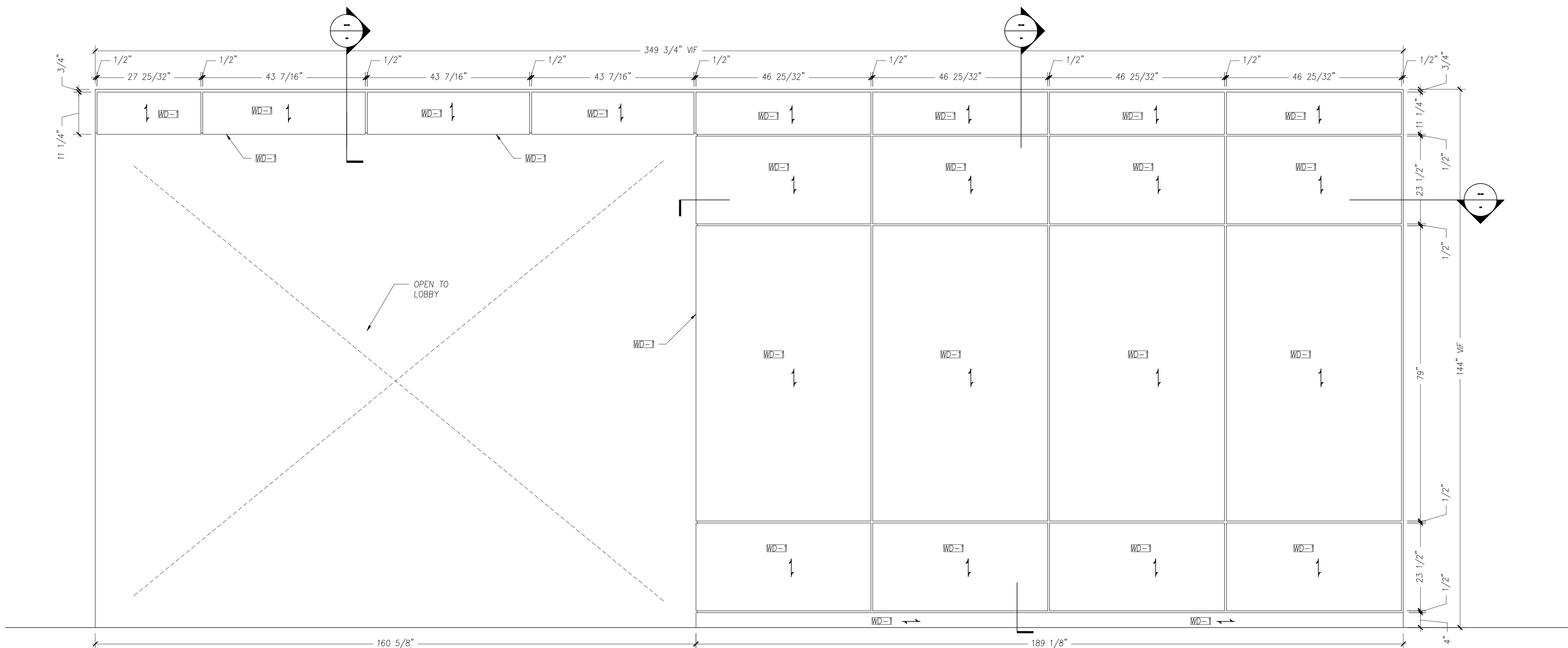
Drawing Title:
FLOOR & REFLECTED CLG. LOBBY 100,01

Drawn By:	GM	Scale:	As Noted	Job No:	N/A	Dwg No:	1.01
Ref Dwg:	VARIOUS	Date:	2/13/12				



1 ELEVATION - ELEVATOR LOBBY
Scale: 3/4"=1'-0"

2 ELEVATION - ELEVATOR LOBBY
Scale: 3/4"=1'-0"



3 ELEVATION - ELEVATOR LOBBY
Scale: 3/4"=1'-0"

Note:
Architect specify and/or
approve items listed below

Wood Species	
WD1	Makore, finished to match control sample
WD2	
WD3	
WD4	

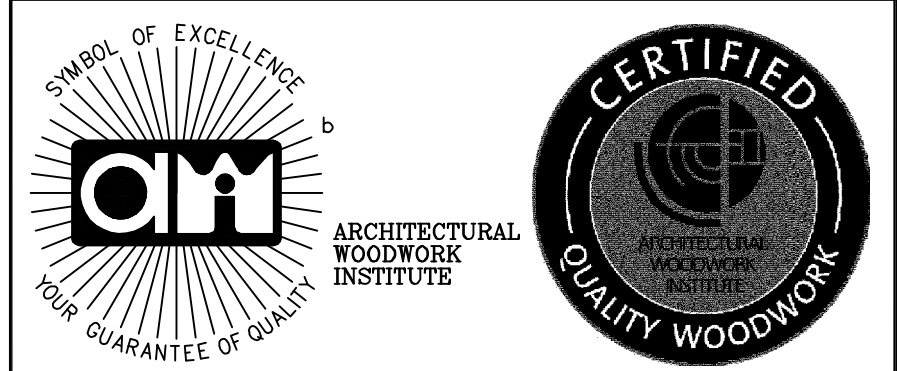
Plastic Laminate	
PL1	Formica DecoMetal - 2032 Brushed Pewter
PL2	
PL3	
PL4	
PL5	
PL6	

Hardware	
H1	European Concealed Hinge
H2	5mm Shelf Pin
H3	Accuride Full Extension Slides #3832
H4	--
H5	--
H6	--
H7	--
H8	--

Other Materials	
SS-1	--
SS-2	--
ML-1	--
M-1	--
ST1	--
ST2	--
ST3	--

Exclusions			
E1	Finished Floor	E7	Dishwashers
E2	Finished Wall	E8	Appliances
E3	Finished Ceiling	E9	Vinyl Base Board
E4	Light Fixtures	E10	Stone Countertops
E5	Under Counter Refrigerator	E11	
E6	Sinks	E12	

SUBMITTALS		
NO	DATE	DESCRIPTION
1	2/13/12	FOR REVIEW
2	--	--
3	--	--
4	--	--
5	--	--



Project Title:
Discovery Center I
9365 Discovery Boulevard
Manassas, Virginia 20109

Architect: Powers Brown Architecture
800 Tower Crescent Dr. Suite 240, Vienna, VA 22182

Contractor: R.W. Murray Company
10440 Balls Ford Rd. Suite100, Manassas, VA 20109

Drawing Title:
ELEVATION - ELEV LOBBY PANELING

Drawn By: GM	Scale: As Noted	Job No: N/A	Dwg No: 1.02
Ref Dwg: VARIOUS	Date: 2/13/12		

Note:
Architect specify and/or
approve items listed below

Wood Species

- WD1 Makore, finished to match control sample
- WD2
- WD3
- WD4

Plastic Laminate

- PL1 Formica DecoMetal - 2032 Brushed Pewter
- PL2
- PL3
- PL4
- PL5
- PL6

Hardware

- H1 European Concealed Hinge
- H2 5mm Shelf Pin
- H3 Accuride Full Extension Slides #3832
- H4 -
- H5 -
- H6 -
- H7 -
- H8 -

Other Materials

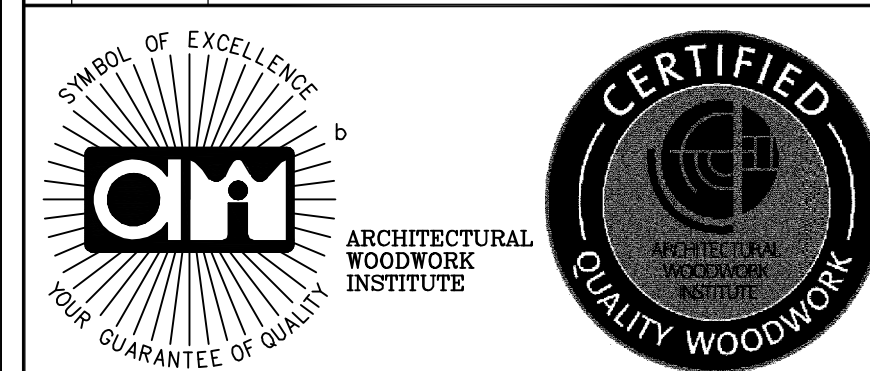
- SS-1 -
- SS-2 -
- ML-1 -
- M-1 -
- ST1 -
- ST2
- ST3

Exclusions

- | | |
|-------------------------------|-----------------------|
| E1 Finished Floor | E7 Dishwashers |
| E2 Finished Wall | E8 Appliances |
| E3 Finished Ceiling | E9 Vinyl Base Board |
| E4 Light Fixtures | E10 Stone Countertops |
| E5 Under Counter Refrigerator | E11 |
| E6 Sinks | E12 |

SUBMITTALS

NO	DATE	DESCRIPTION
1	2/13/12	FOR REVIEW
2	--	--
3	--	--
4	--	--
5	--	--



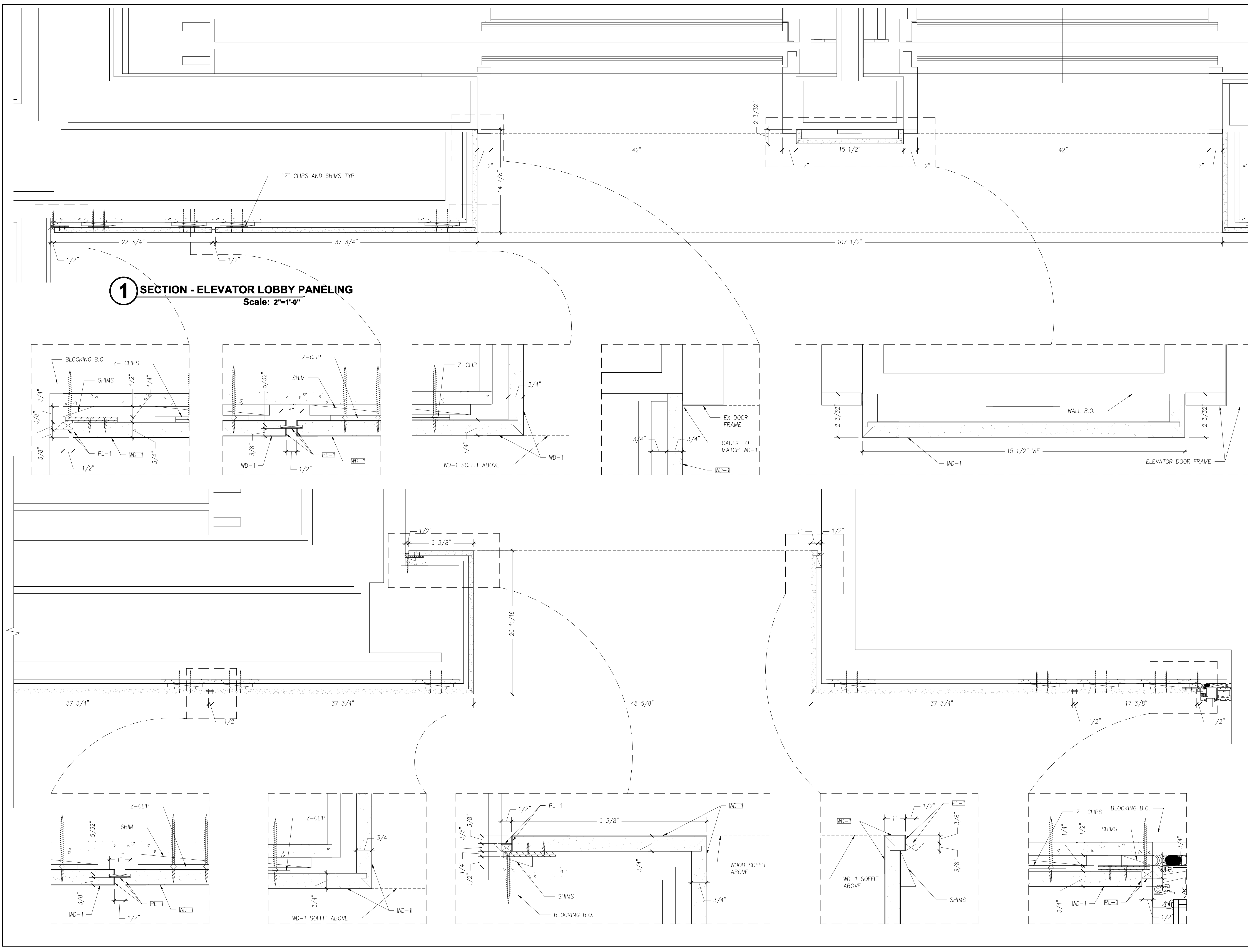
Project Title:
Discovery Center I
9365 Discovery Boulevard
Manassas, Virginia 20109

Architect: Powers Brown Architecture
800 Tower Crescent Dr. Suite 240, Vienna, VA 22182

Contractor: R.W. Murray Company
10440 Balls Ford Rd. Suite 100, Manassas, VA 20109

Drawing Title:
PLAN SECTION - ELEV LOBBY PANELING

Drawn By: GM	Scale: As Noted	Job No: N/A	Dwg No: 1.03
Ref Dwg: VARIOUS	Date: 2/13/12		



Note:
Architect specify and/or
approve items listed below

Wood Species

WD1	MaKore, finished to match control sample
WD2	
WD3	
WD4	

Plastic Laminate

PL1	Formica DecoMetal - 2032 Brushed Pewter
PL2	
PL3	
PL4	
PL5	
PL6	

Hardware

H1	European Concealed Hinge
H2	5mm Shelf Pin
H3	Accuride Full Extension Slides #3832
H4	--
H5	--
H6	--
H7	--
H8	--

Other Materials

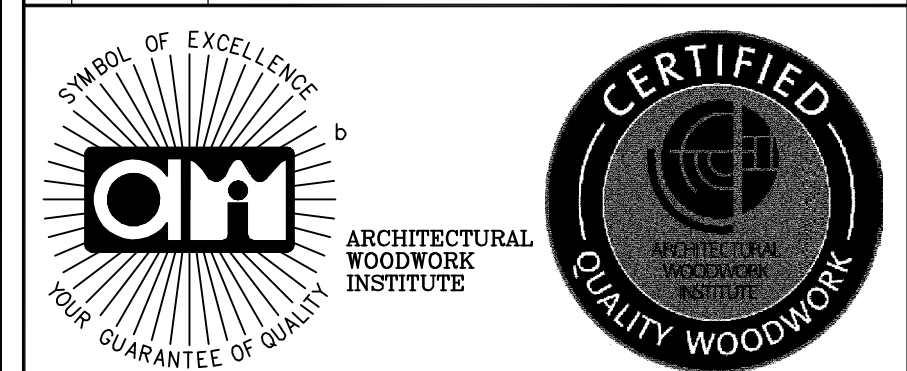
SS-1	--
SS-2	--
ML-1	--
M-1	--
ST1	--
ST2	--
ST3	--

Exclusions

E1	Finished Floor	E7	Dishwashers
E2	Finished Wall	E8	Appliances
E3	Finished Ceiling	E9	Vinyl Base Board
E4	Light Fixtures	E10	Stone Countertops
E5	Under Counter Refrigerator	E11	
E6	Sinks	E12	

SUBMITTALS

NO	DATE	DESCRIPTION
1	2/13/12	FOR REVIEW
2	--	--
3	--	--
4	--	--
5	--	--

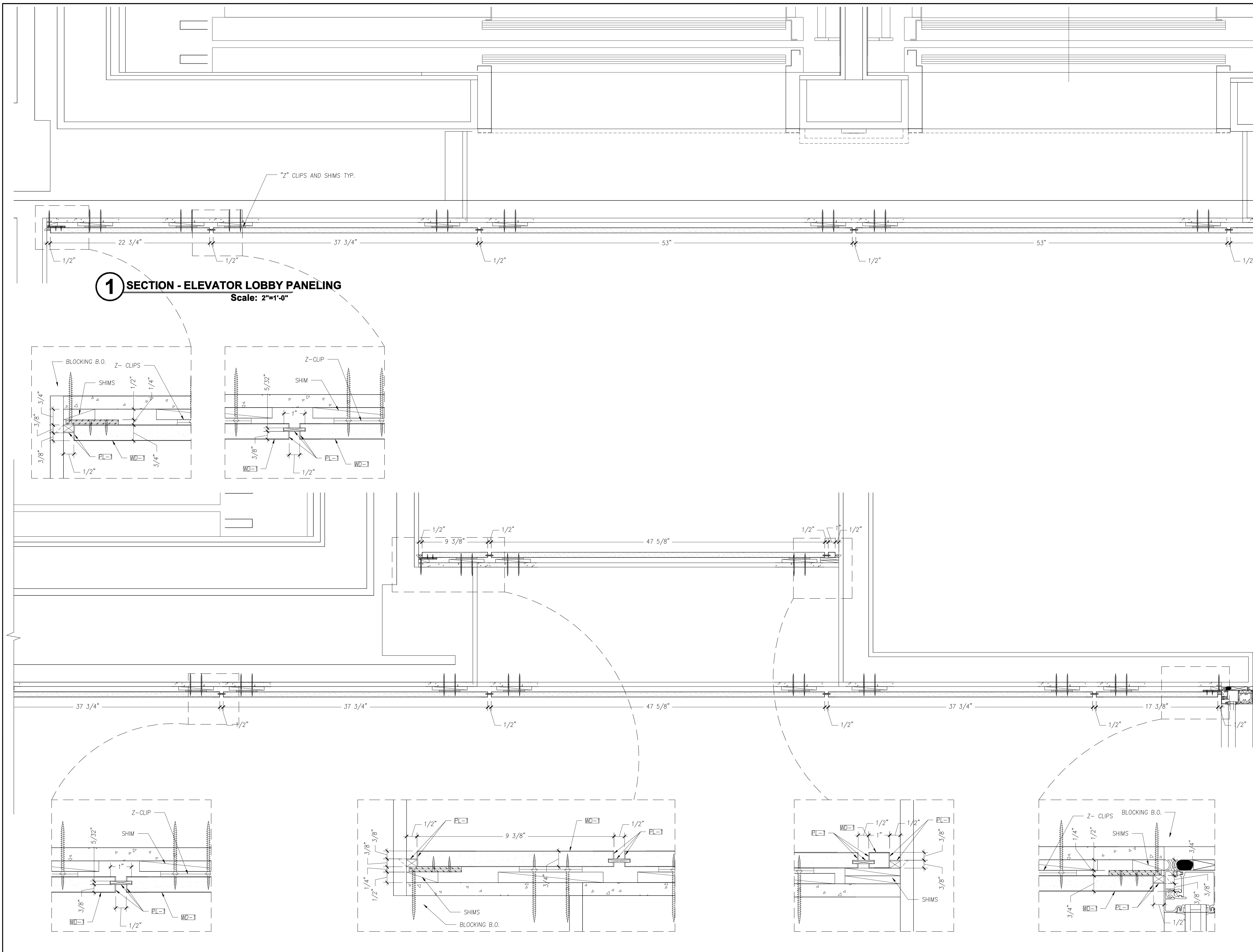


Project Title:
Discovery Center I
9365 Discovery Boulevard
Manassas, Virginia 20109

Architect: Powers Brown Architecture
800 Tower Crescent Dr. Suite 240, Vienna, VA 22182
Contractor: R.W. Murray Company
10440 Balls Ford Rd. Suite100, Manassas, VA 20109

Drawing Title:
PLAN SECTION - ELEV LOBBY PANELING

Drawn By:	GM	Scale:	As Noted	Job No:	N/A	Dwg No.:	1.04
Ref Dwg:	VARIOUS	Date:	2/13/12				



Note:
Architect specify and/or
approve items listed below

Wood Species

WD1	Make, finished to match control sample
WD2	
WD3	
WD4	

Plastic Laminate

PL1	Formica DecoMetal - 2032 Brushed Pewter
PL2	
PL3	
PL4	
PL5	
PL6	

Hardware

H1	European Concealed Hinge
H2	5mm Shelf Pin
H3	Accuride Full Extension Slides #3832
H4	--
H5	--
H6	--
H7	--
H8	--

Other Materials

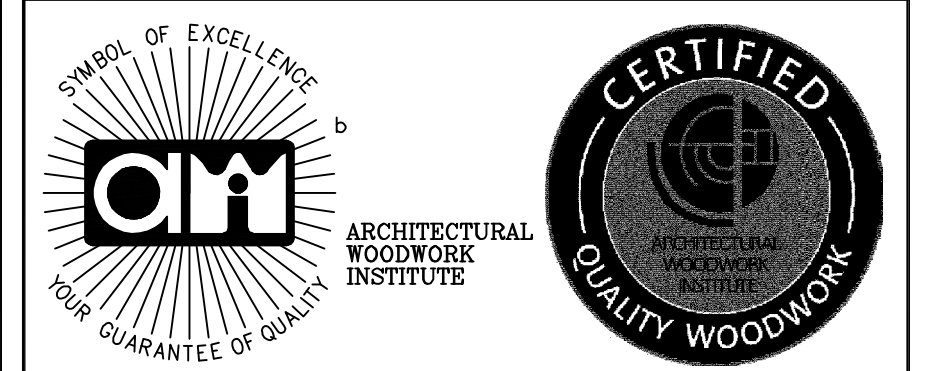
SS-1	--
SS-2	--
ML-1	--
M-1	--
ST1	--
ST2	--
ST3	--

Exclusions

E1	Finished Floor	E7	Dishwashers
E2	Finished Wall	E8	Appliances
E3	Finished Ceiling	E9	Vinyl Base Board
E4	Light Fixtures	E10	Stone Countertops
E5	Under Counter Refrigerator	E11	
E6	Sinks	E12	

SUBMITTALS

NO	DATE	DESCRIPTION
1	2/13/12	FOR REVIEW
2	--	--
3	--	--
4	--	--
5	--	--

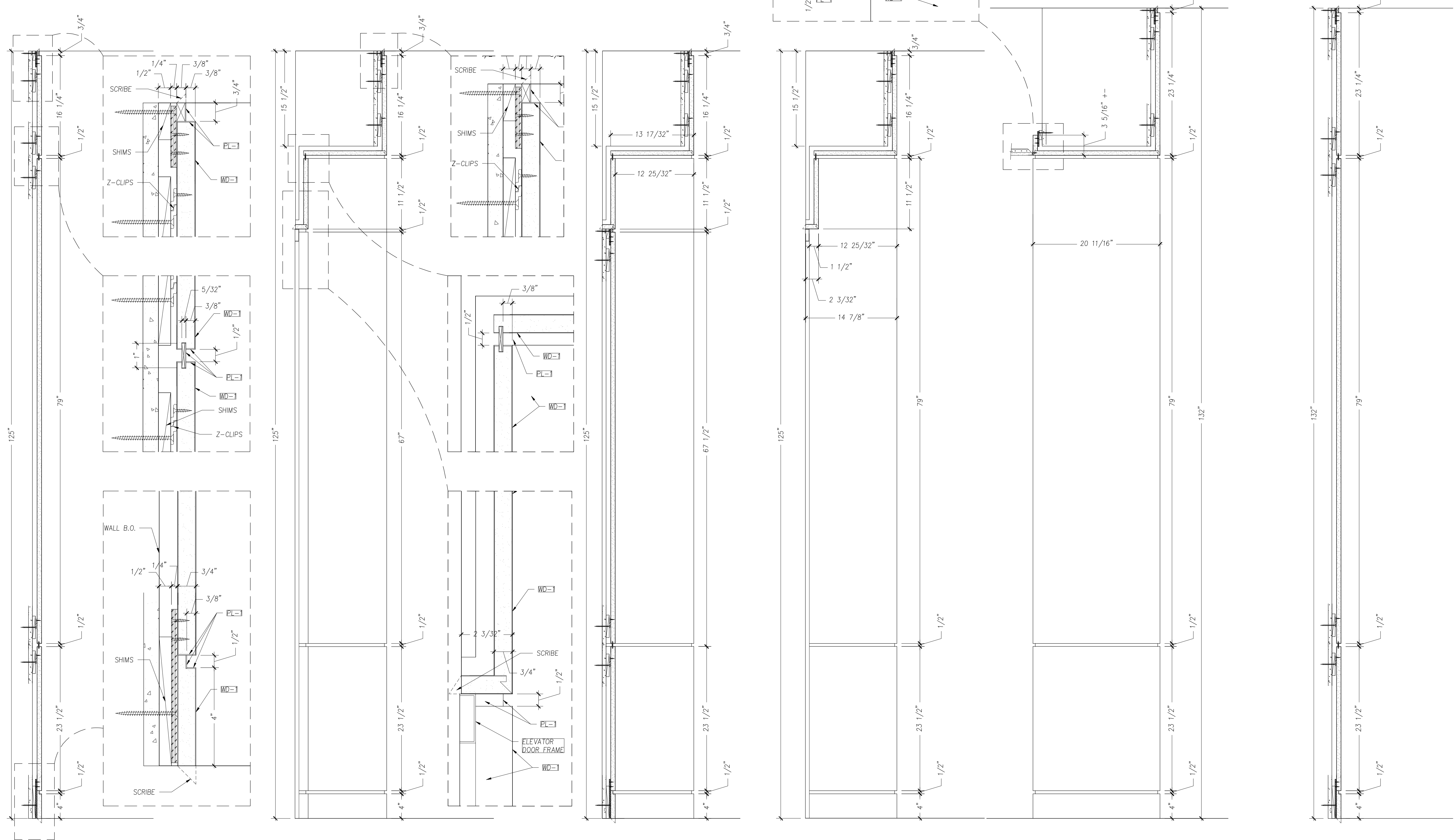


Project Title:
Discovery Center I
9365 Discovery Boulevard
Manassas, Virginia 20109

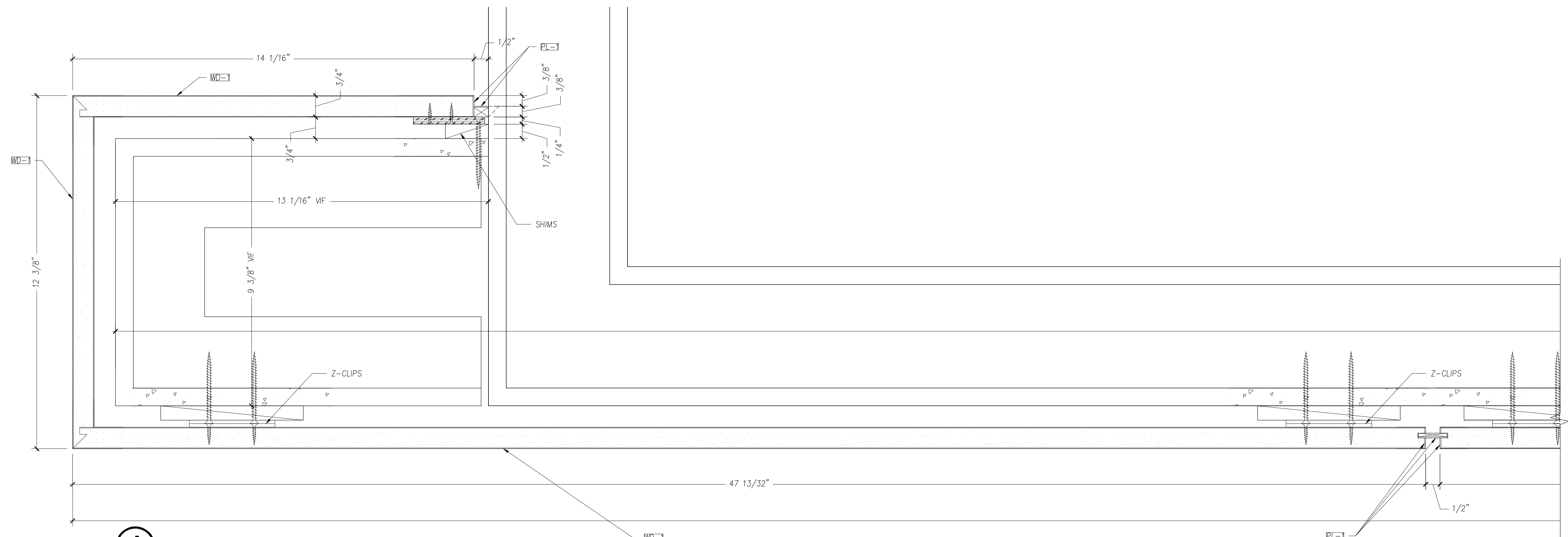
Architect: Powers Brown Architecture
800 Tower Crescent Dr. Suite 240, Vienna, VA 22182
Contractor: R.W. Murray Company
10440 Balls Ford Rd. Suite 100, Manassas, VA 20109

Drawing Title:
VERT SECTION - ELEV LOBBY PANELING

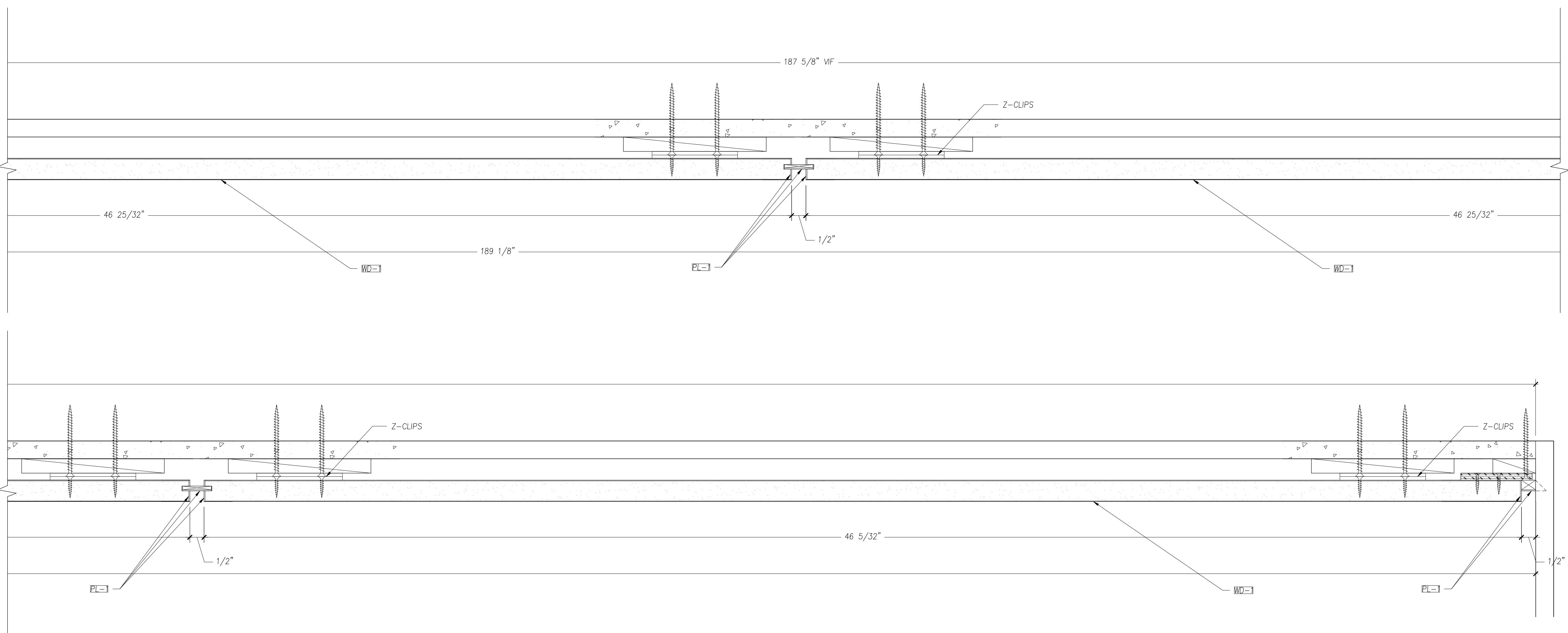
Drawn By:	GM	Scale:	As Noted	Job No.:	N/A	Dwg No.:	1.05
Ref Dwg.:	VARIOUS	Date:	2/13/12				



1 VERTICAL SECTION - PANELING Scale: 1 1/2"=1'-0"
2 VERTICAL SECTION - PANELING Scale: 1 1/2"=1'-0"
3 VERTICAL SECTION - PANELING Scale: 1 1/2"=1'-0"
4 VERTICAL SECTION - PANELING Scale: 1 1/2"=1'-0"
5 VERTICAL SECTION - PANELING Scale: 1 1/2"=1'-0"
6 VERTICAL SECTION - PANELING Scale: 1 1/2"=1'-0"



1 PLAN SECTION - LOBBY PANELING
Scale: 6"=1'-0"



Note:
Architect specify and/or
approve items listed below

Wood Species	
WD1	Makore, finished to match control sample
WD2	
WD3	
WD4	

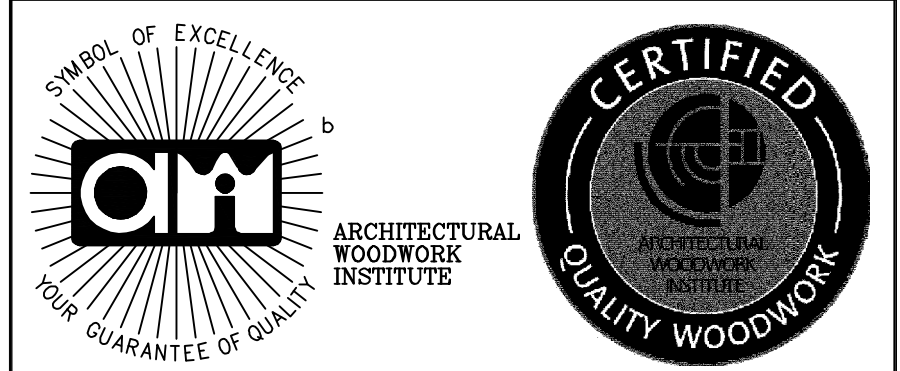
Plastic Laminate	
PL1	Formica DecoMetal - 2032 Brushed Pewter
PL2	
PL3	
PL4	
PL5	
PL6	

Hardware	
H1	European Concealed Hinge
H2	5mm Shelf Pin
H3	Accuride Full Extension Slides #3832
H4	--
H5	--
H6	--
H7	--
H8	--

Other Materials	
SS-1	--
SS-2	--
ML-1	--
M-1	--
ST1	--
ST2	--
ST3	--

Exclusions			
E1	Finished Floor	E7	Dishwashers
E2	Finished Wall	E8	Appliances
E3	Finished Ceiling	E9	Vinyl Base Board
E4	Light Fixtures	E10	Stone Countertops
E5	Under Counter Refrigerator	E11	
E6	Sinks	E12	

SUBMITTALS		
NO	DATE	DESCRIPTION
1	2/13/12	FOR REVIEW
2	--	--
3	--	--
4	--	--
5	--	--

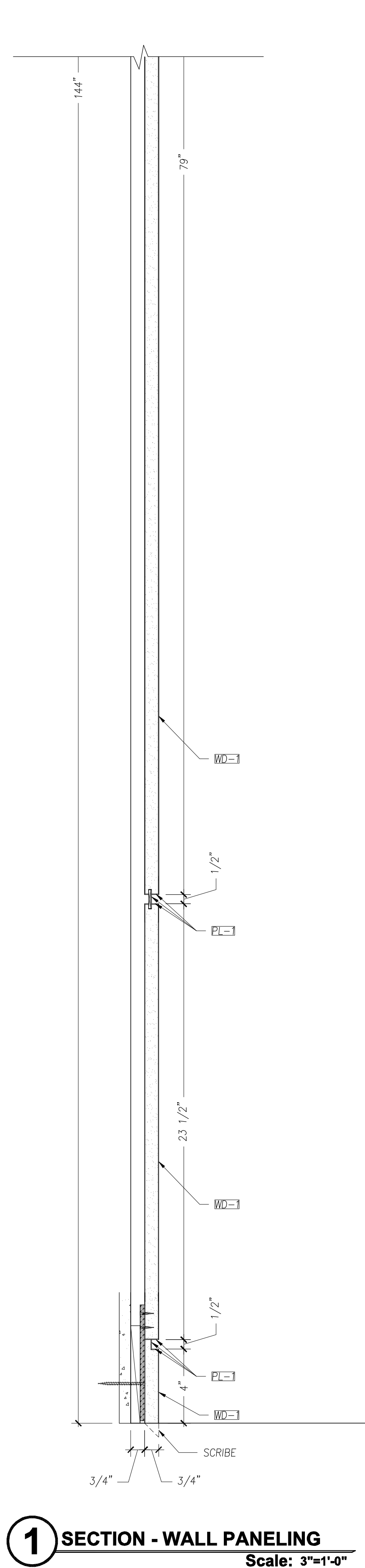


Project Title:
Discovery Center I
9365 Discovery Boulevard
Manassas, Virginia 20109

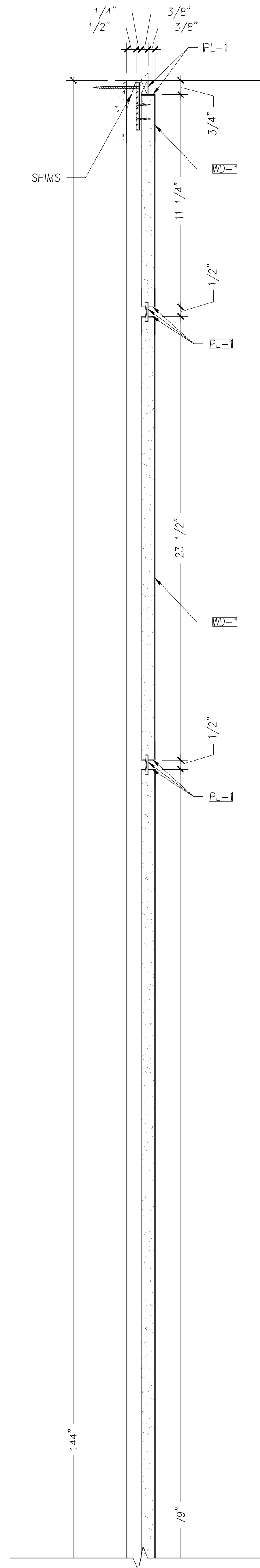
Architect: Powers Brown Architecture
800 Tower Crescent Dr. Suite 240, Vienna, VA 22182
Contractor: R.W. Murray Company
10440 Balls Ford Rd. Suite100, Manassas, VA 20109

Drawing Title:
SECTION - ELEV LOBBY PANELING

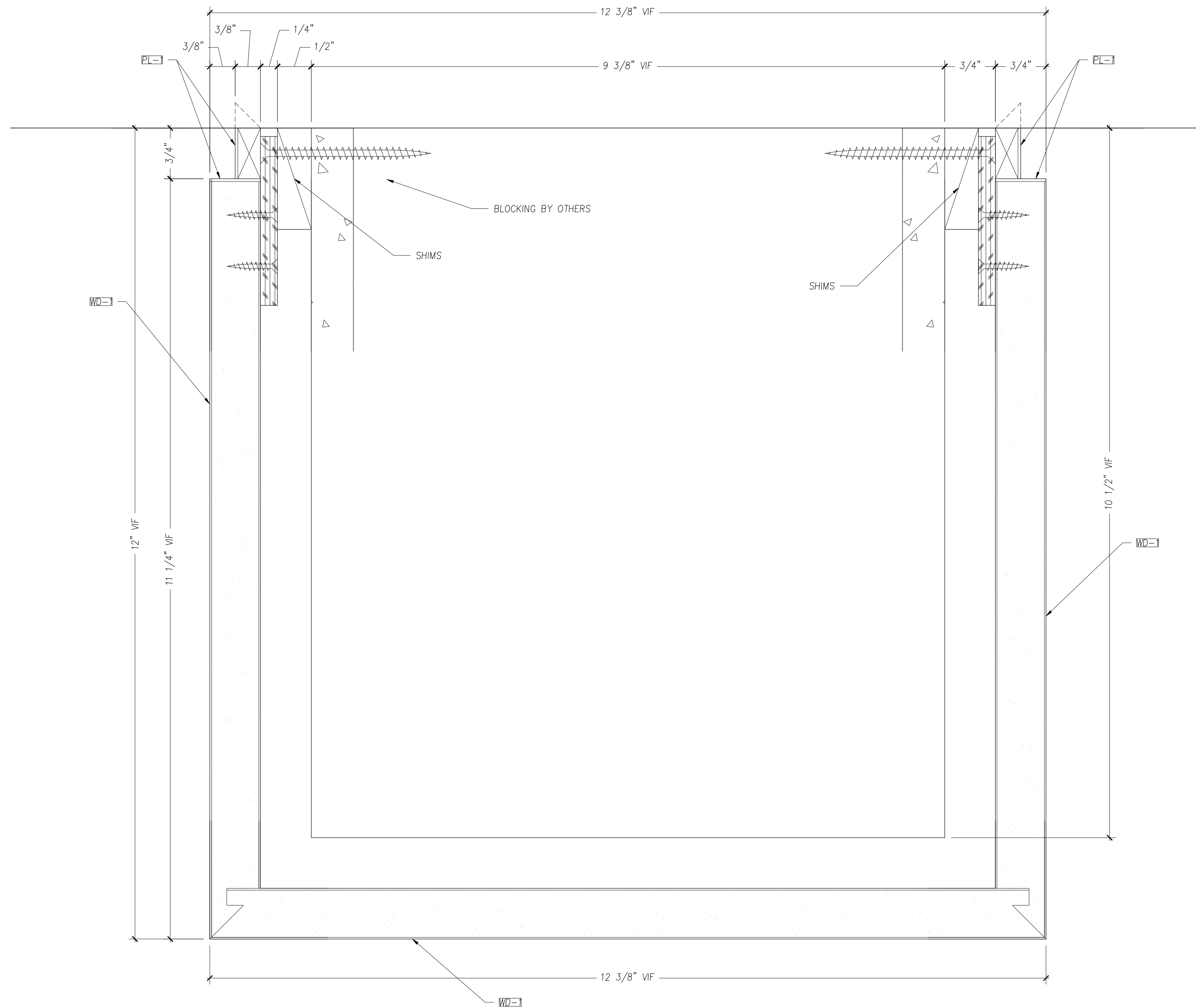
Drawn By:	GM	Scale:	As Noted	Job No:		Dwg No:	
Ref Dwg:	VARIOUS	Date:	2/13/12		N/A		1.06



1 SECTION - WALL PANELING
Scale: 3"=1'-0"



2 SECTION - WD-1 BEAM WRAP
Scale: Full Size



Note:
Architect specify and/or
approve items listed below

Wood Species	
WD1	Makore, finished to match control sample
WD2	
WD3	
WD4	

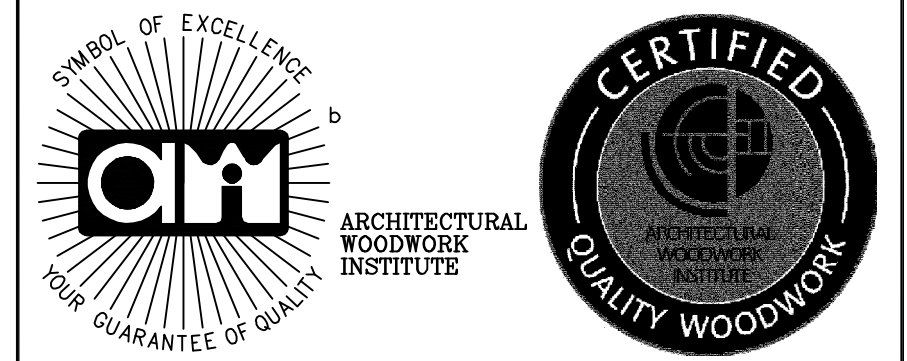
Plastic Laminate	
PL1	Formica DecoMetal - 2032 Brushed Pewter
PL2	
PL3	
PL4	
PL5	
PL6	

Hardware	
H1	European Concealed Hinge
H2	5mm Shelf Pin
H3	Accuride Full Extension Slides #3832
H4	--
H5	--
H6	--
H7	--
H8	--

Other Materials	
SS-1	--
SS-2	--
ML-1	--
M-1	--
ST1	--
ST2	--
ST3	--

Exclusions			
E1	Finished Floor	E7	Dishwashers
E2	Finished Wall	E8	Appliances
E3	Finished Ceiling	E9	Vinyl Base Board
E4	Light Fixtures	E10	Stone Countertops
E5	Under Counter Refrigerator	E11	
E6	Sinks	E12	

SUBMITTALS		
NO	DATE	DESCRIPTION
1	2/13/12	FOR REVIEW
2	--	--
3	--	--
4	--	--
5	--	--

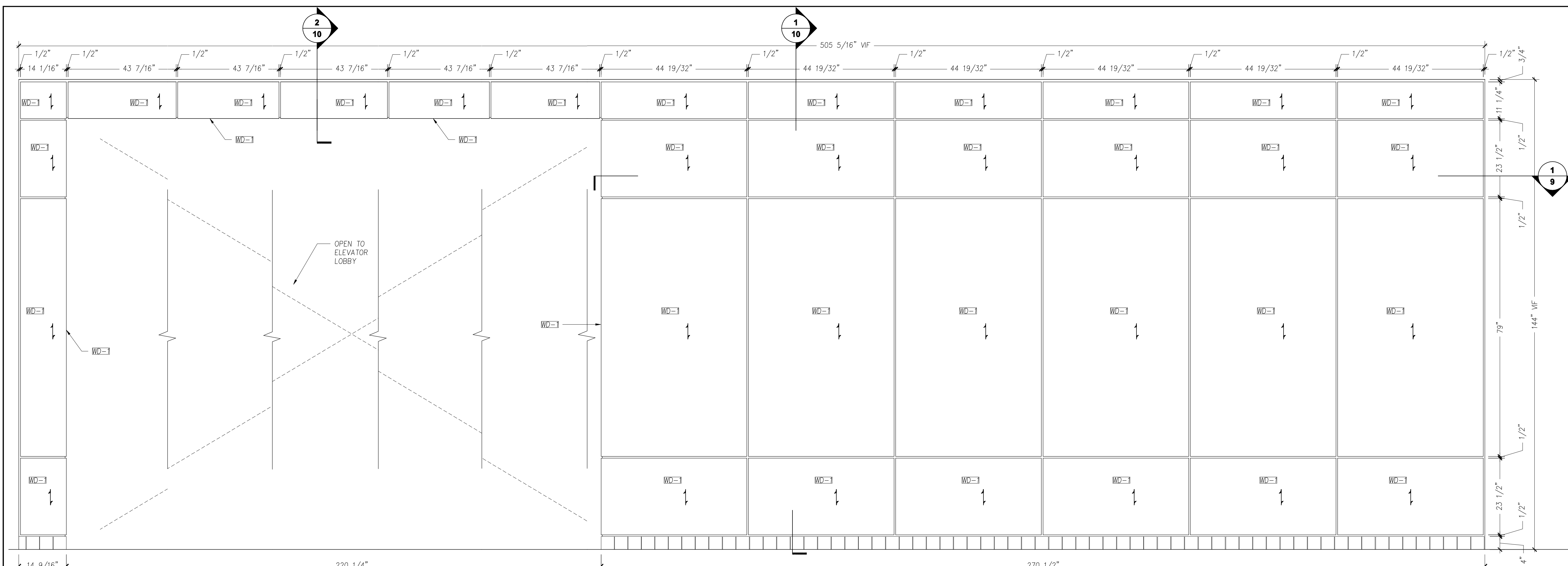


Project Title:
Discovery Center I
9365 Discovery Boulevard
Manassas, Virginia 20109

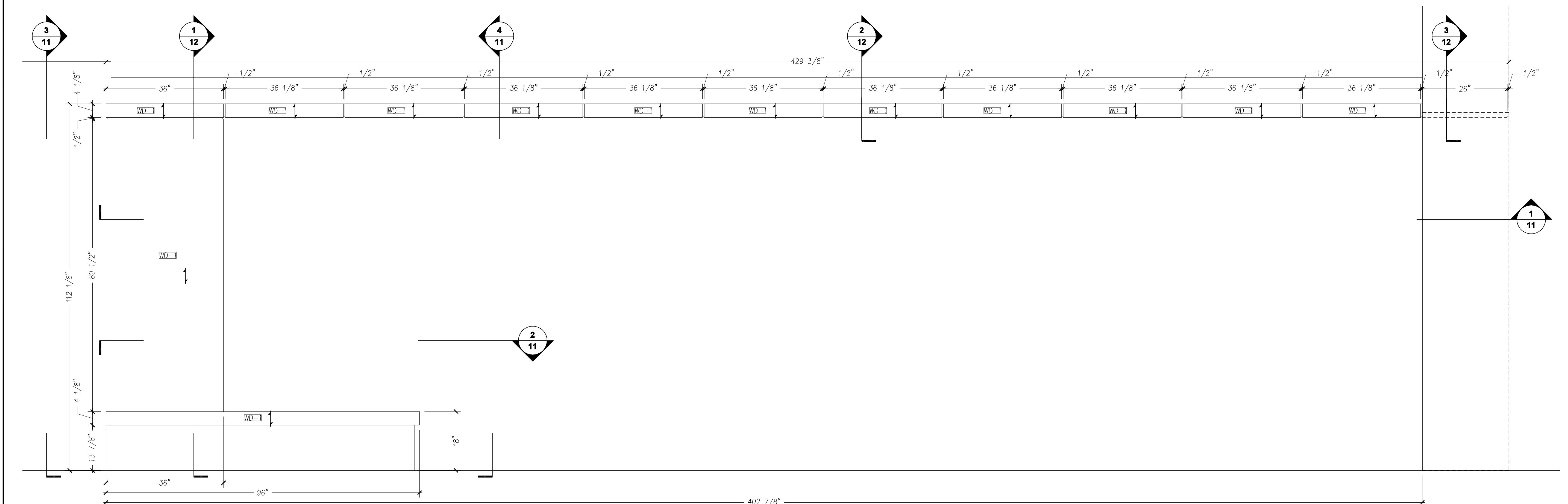
Architect: Powers Brown Architecture
800 Tower Crescent Dr. Suite 240, Vienna, VA 22182
Contractor: R.W. Murray Company
10440 Balls Ford Rd. Suite100, Manassas, VA 20109

Drawing Title:
SECTION - ELEV LOBBY PANELING

Drawn By:	GM	Scale:	As Noted	Job No.:	N/A	Dwg No.:	1.07
Ref Dwg.:	VARIOUS	Date:	2/13/12				



1 ELEVATION - LOBBY PANELING
Scale: 3/4"=1'-0"



2 ELEVATION - LOBBY PANELING
Scale: 3/4"=1'-0"

Note:
Architect specify and/or
approve items listed below

Wood Species

WD1	Makore, finished to match control sample
WD2	
WD3	
WD4	

Plastic Laminate

PL1	Formica DecoMetal - 2032 Brushed Pewter
PL2	
PL3	
PL4	
PL5	
PL6	

Hardware

H1	European Concealed Hinge
H2	5mm Shelf Pin
H3	Accuride Full Extension Slides #3832
H4	--
H5	--
H6	--
H7	--
H8	--

Other Materials

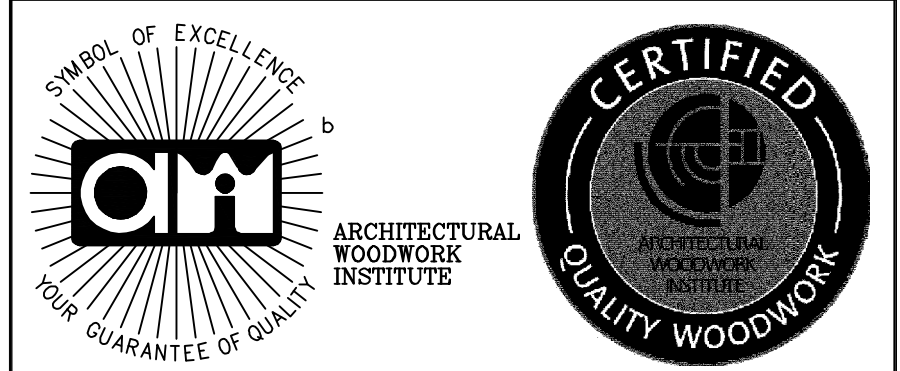
SS-1	--
SS-2	--
ML-1	--
M-1	--
ST1	--
ST2	--
ST3	--

Exclusions

E1	Finished Floor	E7	Dishwashers
E2	Finished Wall	E8	Appliances
E3	Finished Ceiling	E9	Vinyl Base Board
E4	Light Fixtures	E10	Stone Countertops
E5	Under Counter Refrigerator	E11	
E6	Sinks	E12	

SUBMITTALS

NO	DATE	DESCRIPTION
1	2/13/12	FOR REVIEW
2	--	--
3	--	--
4	--	--
5	--	--

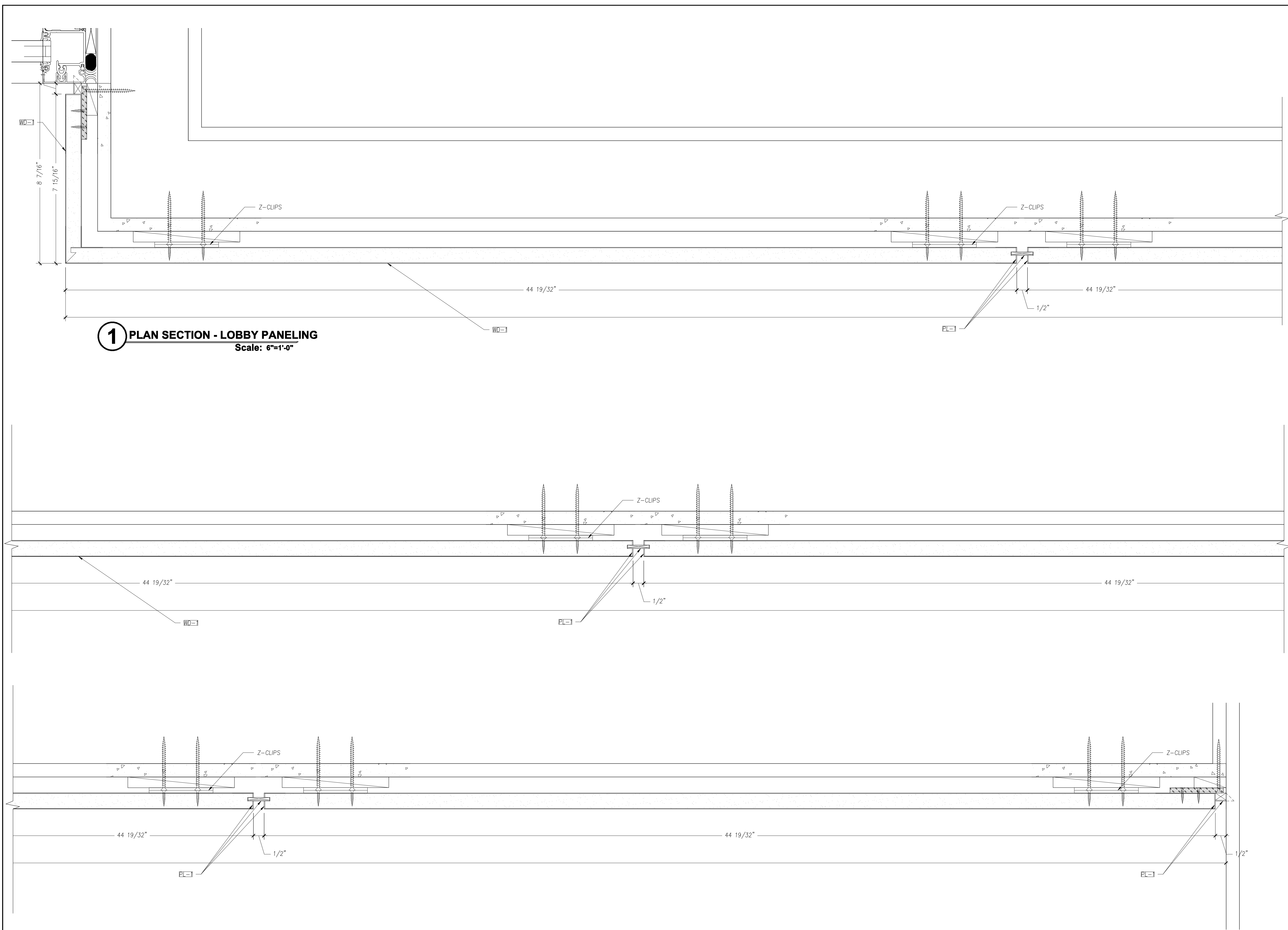


Project Title:
Discovery Center I
9365 Discovery Boulevard
Manassas, Virginia 20109

Architect: Powers Brown Architecture
800 Tower Crescent Dr. Suite 240, Vienna, VA 22182
Contractor: R.W. Murray Company
10440 Balls Ford Rd. Suite100, Manassas, VA 20109

Drawing Title:
ELEVATION - LOBBY PANELING

Drawn By:	GM	Scale:	As Noted	Job No:	N/A	Dwg No.:	1.08
Ref Dwg:	VARIOUS	Date:	2/13/12				



1 PLAN SECTION - LOBBY PANELING
Scale: 6"=1'-0"

Note:
Architect specify and/or
approve items listed below

Wood Species	
WD1	Makore, finished to match control sample
WD2	
WD3	
WD4	

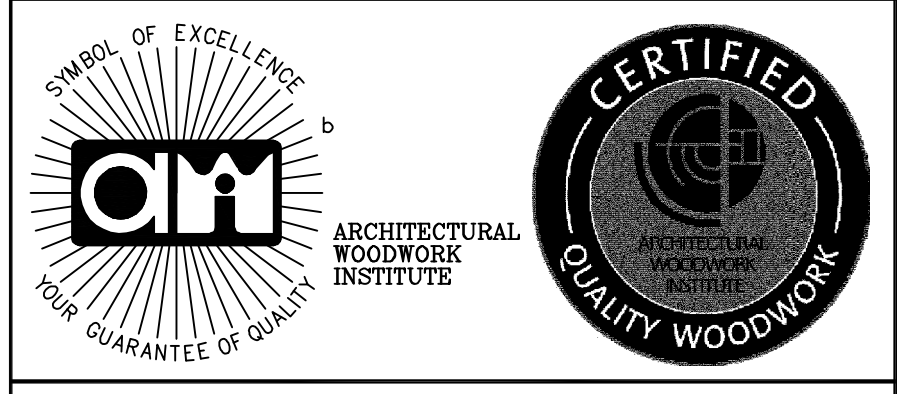
Plastic Laminate	
PL1	Formica DecoMetal - 2032 Brushed Pewter
PL2	
PL3	
PL4	
PL5	
PL6	

Hardware	
H1	European Concealed Hinge
H2	5mm Shelf Pin
H3	Accuride Full Extension Slides #3832
H4	--
H5	--
H6	--
H7	--
H8	--

Other Materials	
SS-1	--
SS-2	--
ML-1	--
M-1	--
ST1	--
ST2	--
ST3	--

Exclusions			
E1	Finished Floor	E7	Dishwashers
E2	Finished Wall	E8	Appliances
E3	Finished Ceiling	E9	Vinyl Base Board
E4	Light Fixtures	E10	Stone Countertops
E5	Under Counter Refrigerator	E11	
E6	Sinks	E12	

SUBMITTALS		
NO	DATE	DESCRIPTION
1	2/13/12	FOR REVIEW
2	--	--
3	--	--
4	--	--
5	--	--



Project Title:
Discovery Center I
9365 Discovery Boulevard
Manassas, Virginia 20109

Architect: Powers Brown Architecture
800 Tower Crescent Dr. Suite 240, Vienna, VA 22182
Contractor: R.W. Murray Company
10440 Balls Ford Rd. Suite100, Manassas, VA 20109

Drawing Title:
PLAN SECTION - LOBBY PANELING

Drawn By:	GM	Scale:	As Noted	Job No:	N/A	Dwg No:	1.09
Ref Dwg:	VARIOUS	Date:	2/13/12				

Note:
Architect specify and/or
approve items listed below

Wood Species

WD1	Makore, finished to match control sample
WD2	
WD3	
WD4	

Plastic Laminate

PL1	Formica DecoMetal - 2032 Brushed Pewter
PL2	
PL3	
PL4	
PL5	
PL6	

Hardware

H1	European Concealed Hinge
H2	5mm Shelf Pin
H3	Accuride Full Extension Slides #3832
H4	--
H5	--
H6	--
H7	--
H8	--

Other Materials

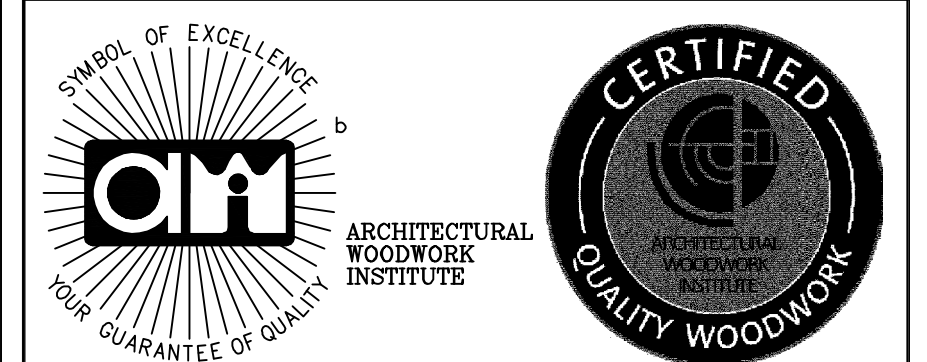
SS-1	--
SS-2	--
ML-1	--
M-1	--
ST1	--
ST2	--
ST3	--

Exclusions

E1	Finished Floor	E7	Dishwashers
E2	Finished Wall	E8	Appliances
E3	Finished Ceiling	E9	Vinyl Base Board
E4	Light Fixtures	E10	Stone Countertops
E5	Under Counter Refrigerator	E11	
E6	Sinks	E12	

SUBMITTALS

NO	DATE	DESCRIPTION
1	2/13/12	FOR REVIEW
2	--	--
3	--	--
4	--	--
5	--	--

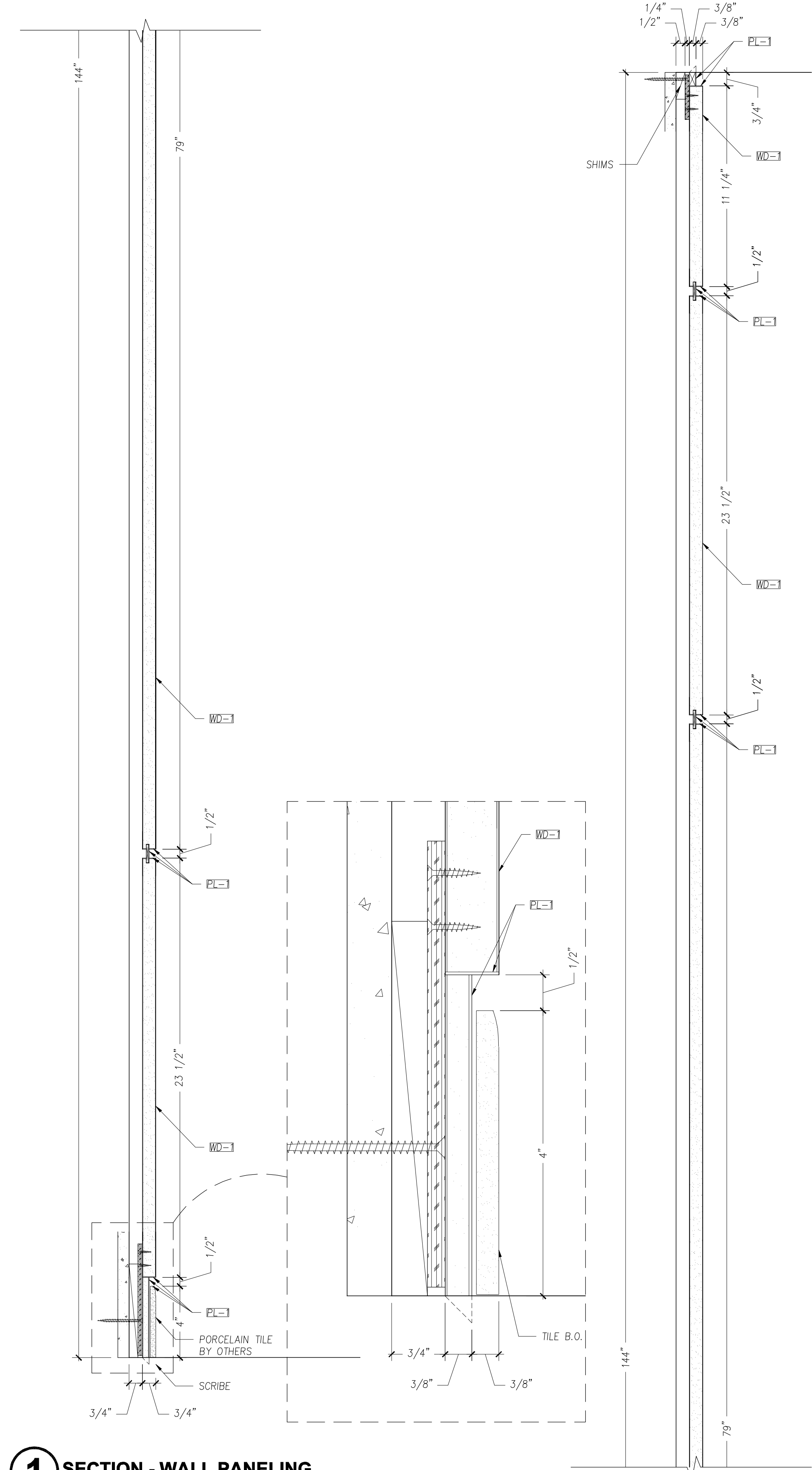


Project Title:
Discovery Center I
9365 Discovery Boulevard
Manassas, Virginia 20109

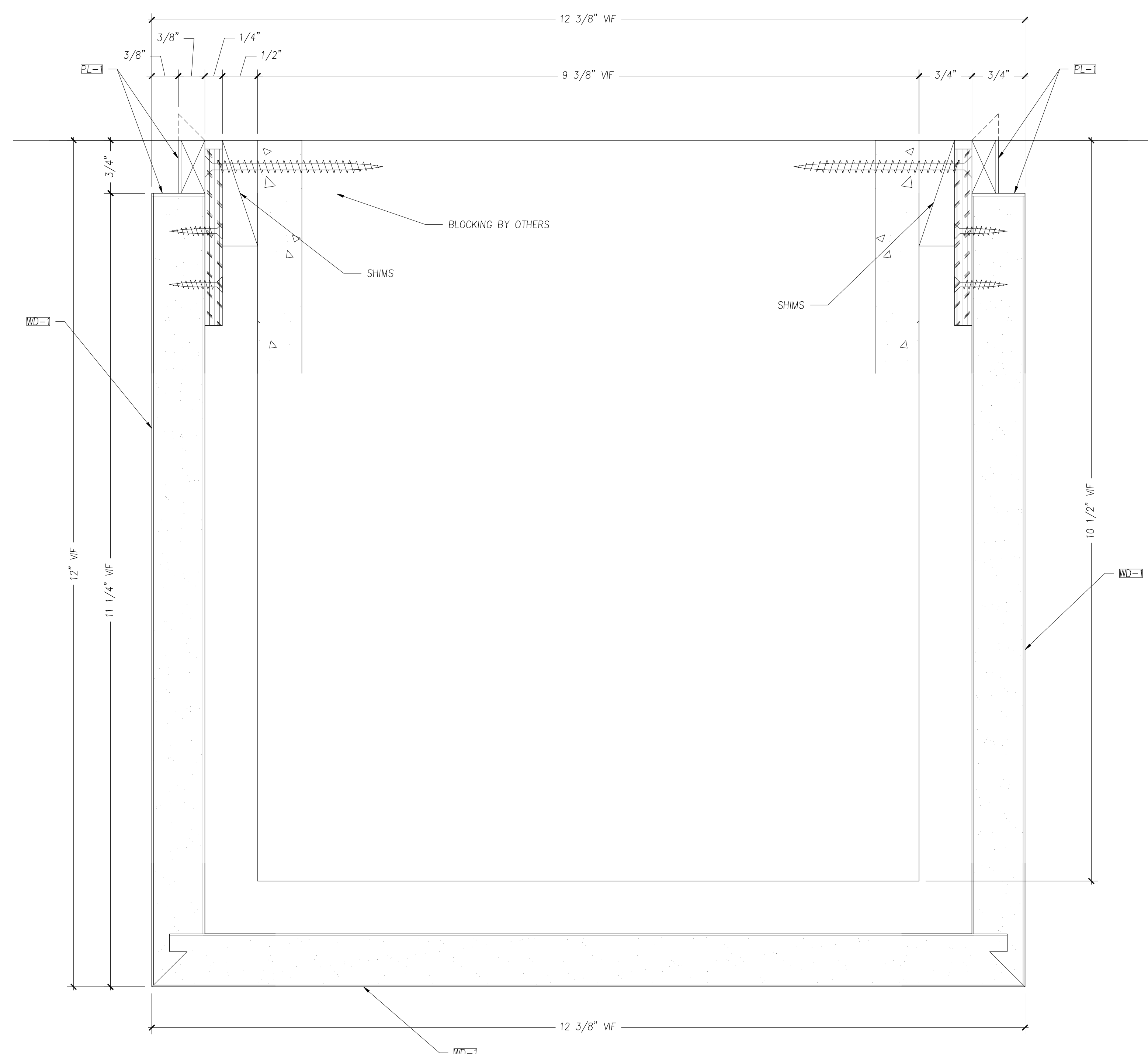
Architect: Powers Brown Architecture
800 Tower Crescent Dr. Suite 240, Vienna, VA 22182
Contractor: R.W. Murray Company
10440 Balls Ford Rd. Suite100, Manassas, VA 20109

Drawing Title:
VERT SECTION - LOBBY PANELING

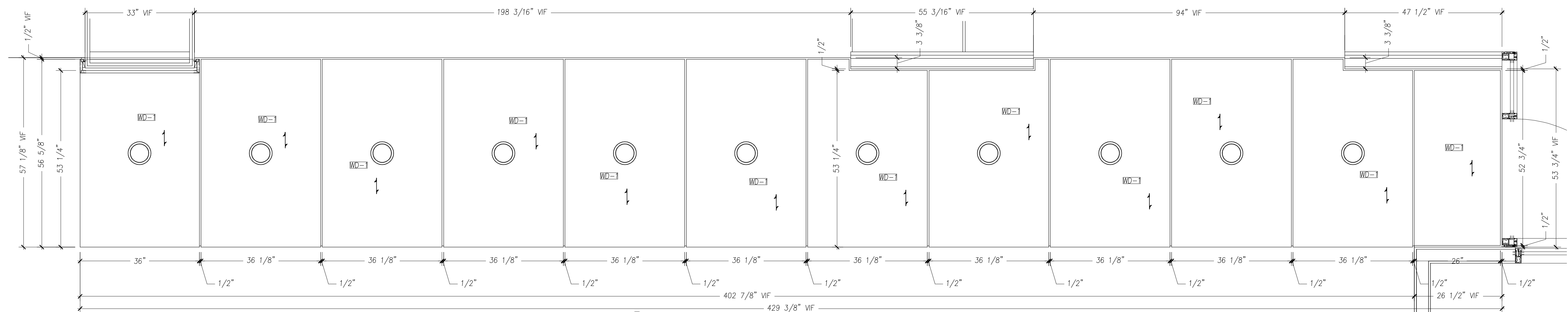
Drawn By:	GM	Scale:	As Noted	Job No:	N/A	Dwg No:	1.10
Ref Dwg:	VARIOUS	Date:	2/13/12				



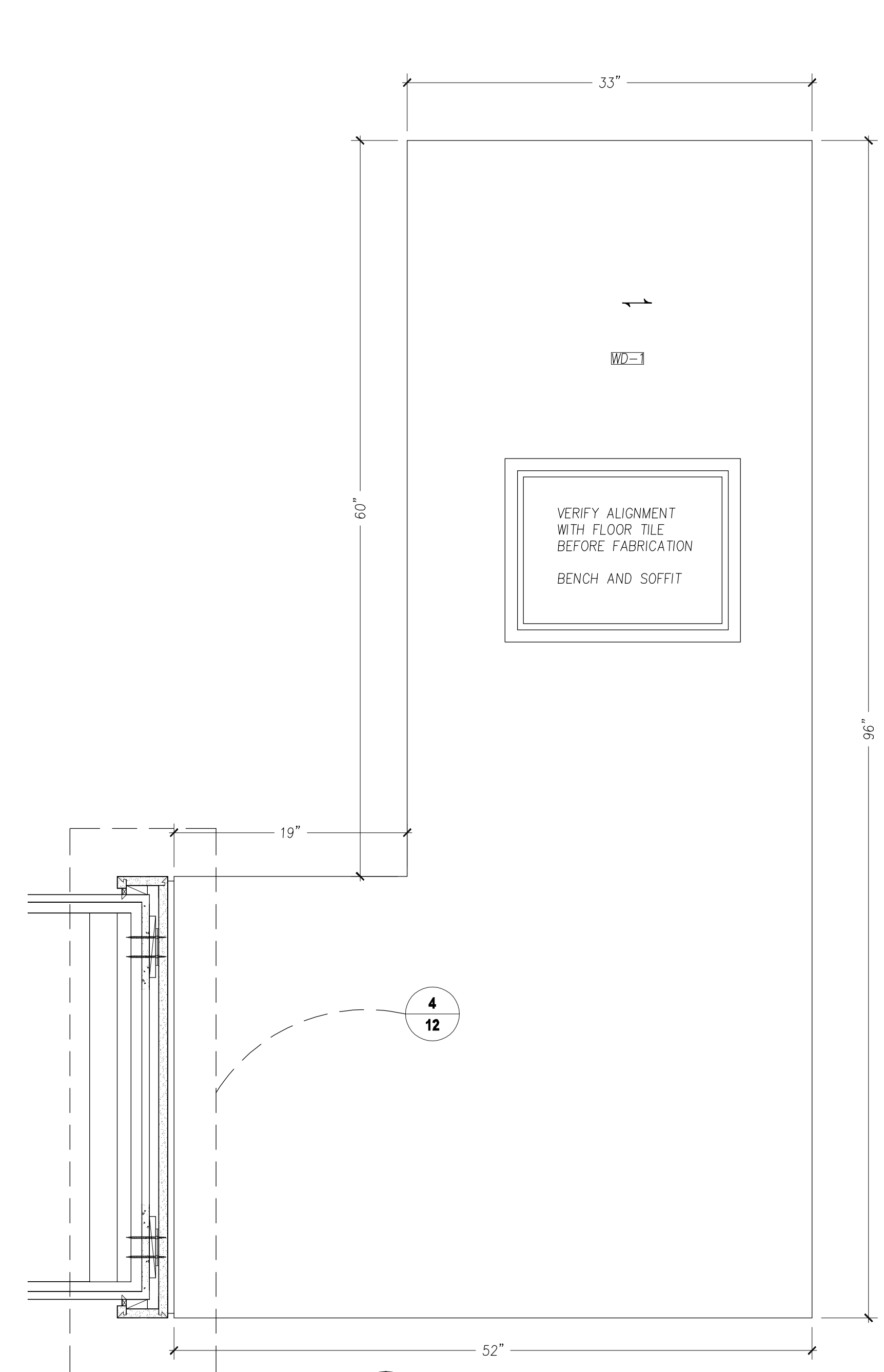
1 SECTION - WALL PANELING
Scale: 3"=1'-0"



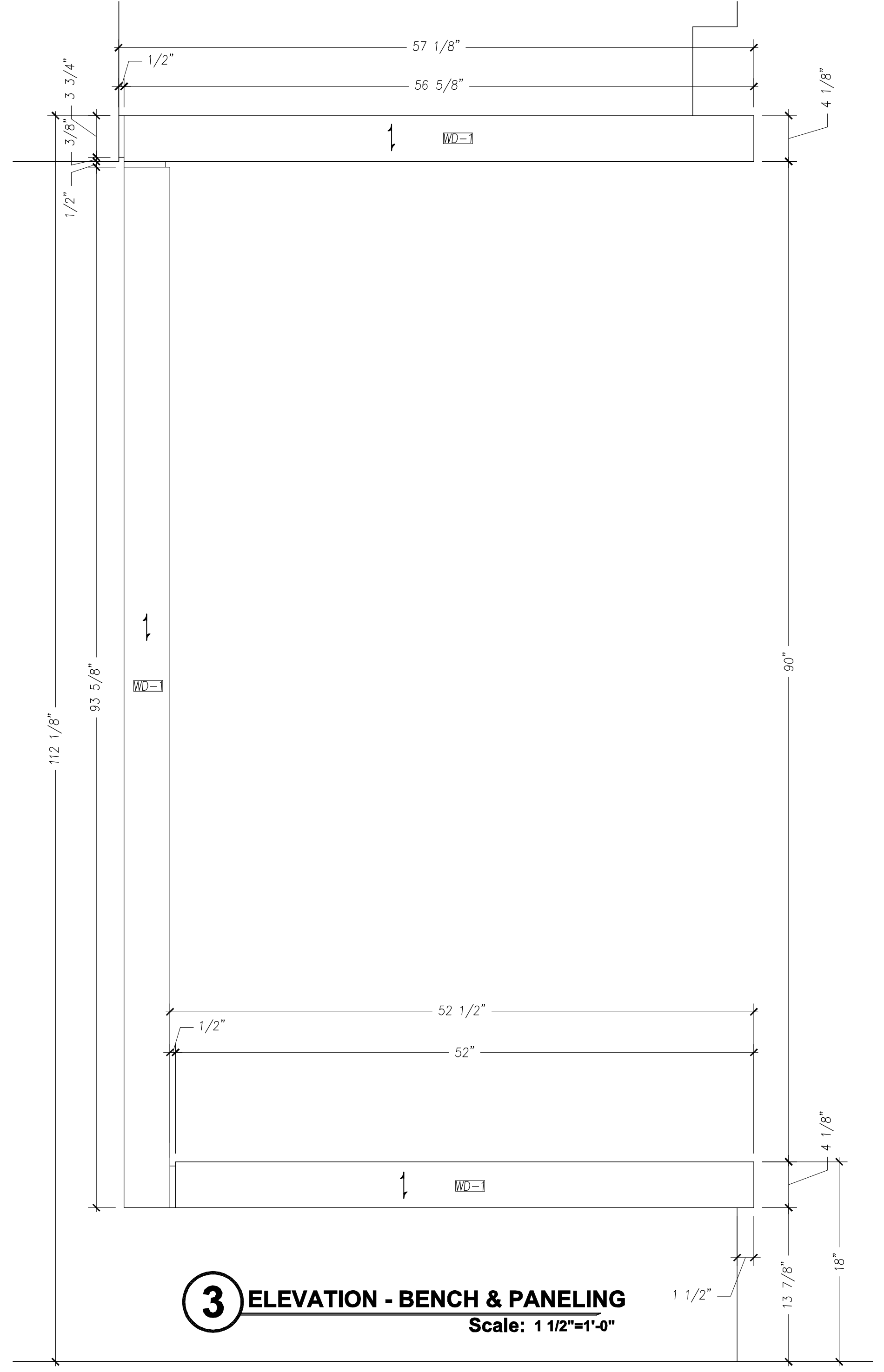
2 SECTION - WD-1 BEAM WRAP
Scale: Full Size



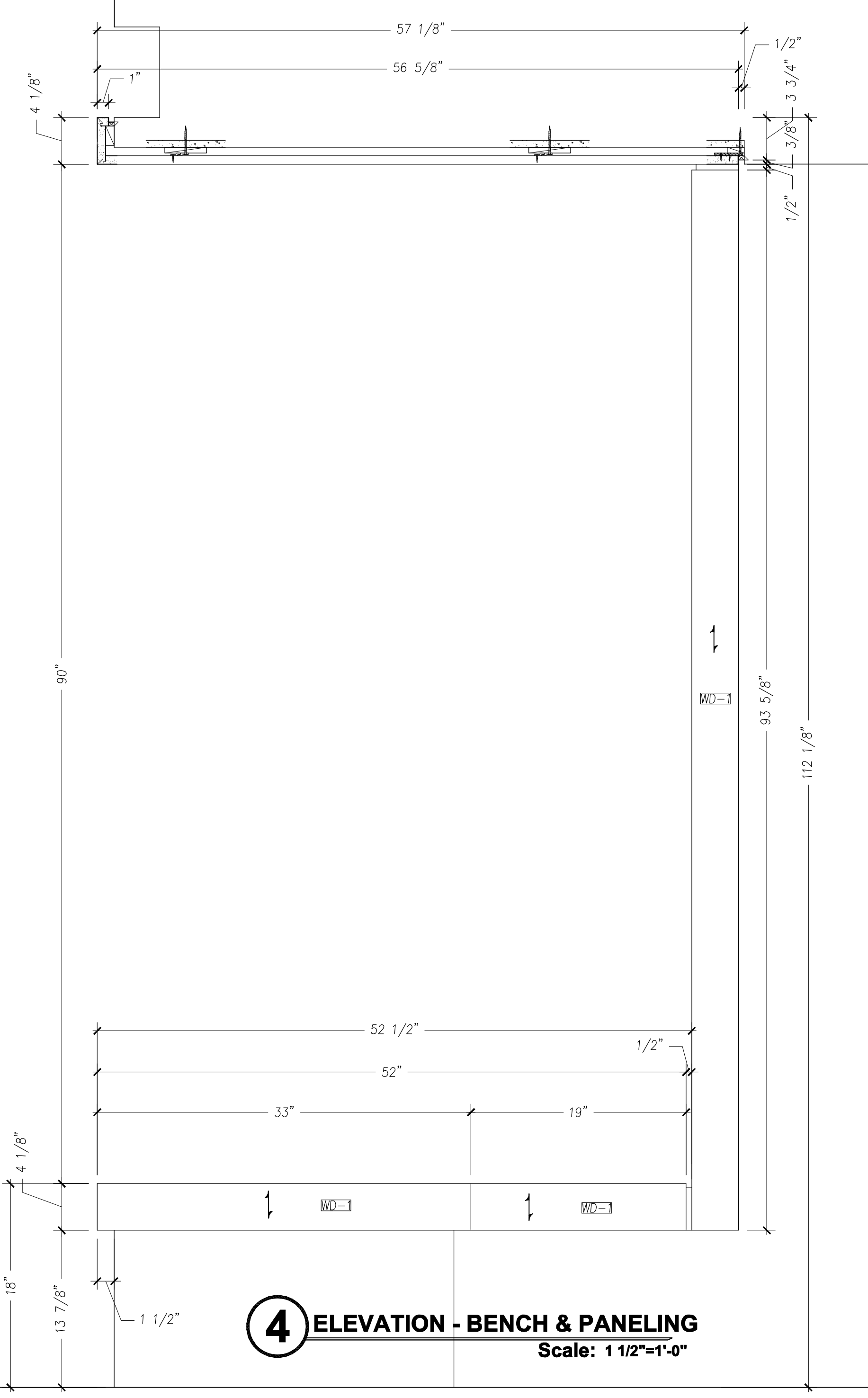
1 REF CLG PLAN - LOBBY PANELING
Scale: 3/4"=1'-0"



2 PLAN VIEW - WD-1 BENCH
Scale: 1 1/2"=1'-0"



3 ELEVATION - BENCH & PANELING
Scale: 1 1/2"=1'-0"



4 ELEVATION - BENCH & PANELING
Scale: 1 1/2"=1'-0"

Note:
Architect specify and/or
approve items listed below

Wood Species

WD1	Makore, finished to match control sample
WD2	
WD3	
WD4	

Plastic Laminate

PL1	Formica DecoMetal - 2032 Brushed Pewter
PL2	
PL3	
PL4	
PL5	
PL6	

Hardware

H1	European Concealed Hinge
H2	5mm Shelf Pin
H3	Accuride Full Extension Slides #3832
H4	--
H5	--
H6	--
H7	--
H8	--

Other Materials

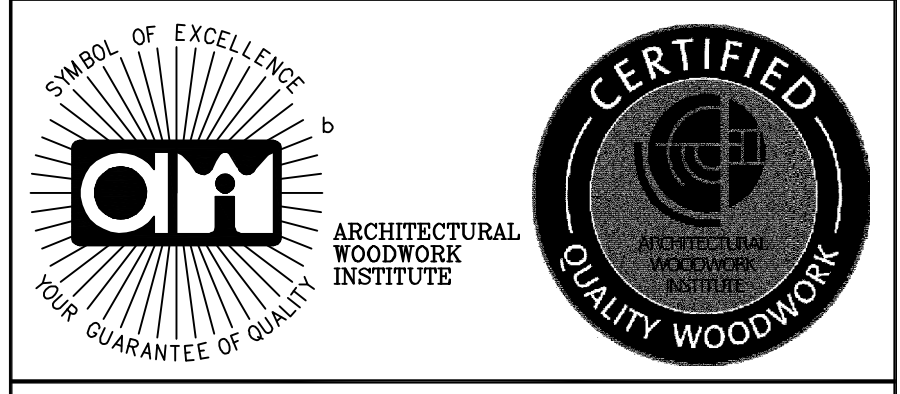
SS-1	--
SS-2	--
ML-1	--
M-1	--
ST1	--
ST2	--
ST3	--

Exclusions

E1	Finished Floor	E7	Dishwashers
E2	Finished Wall	E8	Appliances
E3	Finished Ceiling	E9	Vinyl Base Board
E4	Light Fixtures	E10	Stone Countertops
E5	Under Counter Refrigerator	E11	
E6	Sinks	E12	

SUBMITTALS

NO	DATE	DESCRIPTION
1	2/13/12	FOR REVIEW
2	--	--
3	--	--
4	--	--
5	--	--



Project Title:
Discovery Center I
9365 Discovery Boulevard
Manassas, Virginia 20109

Architect: Powers Brown Architecture
800 Tower Crescent Dr. Suite 240, Vienna, VA 22182
Contractor: R.W. Murray Company
10440 Balls Ford Rd. Suite100, Manassas, VA 20109

Drawing Title:
ELEVATION - LOBBY PANELING & BENCH

Drawn By:	GM	Scale:	As Noted	Job No:	N/A	Dwg No:	1.11
Ref Dwg:	VARIOUS	Date:	2/13/12				

Note:
Architect specify and/or
approve items listed below

Wood Species

WD1	Makore, finished to match control sample
WD2	
WD3	
WD4	

Plastic Laminate

PL1	Formica DecoMetal - 2032 Brushed Pewter
PL2	
PL3	
PL4	
PL5	
PL6	

Hardware

H1	European Concealed Hinge
H2	5mm Shelf Pin
H3	Accuride Full Extension Slides #3832
H4	--
H5	--
H6	--
H7	--
H8	--

Other Materials

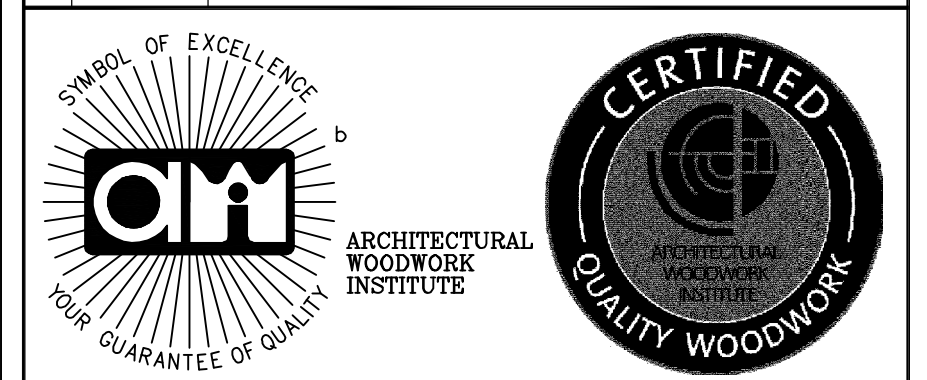
SS-1	--
SS-2	--
ML-1	--
M-1	--
ST1	--
ST2	--
ST3	--

Exclusions

E1	Finished Floor	E7	Dishwashers
E2	Finished Wall	E8	Appliances
E3	Finished Ceiling	E9	Vinyl Base Board
E4	Light Fixtures	E10	Stone Countertops
E5	Under Counter Refrigerator	E11	
E6	Sinks	E12	

SUBMITTALS

NO	DATE	DESCRIPTION
1	2/13/12	FOR REVIEW
2	--	--
3	--	--
4	--	--
5	--	--

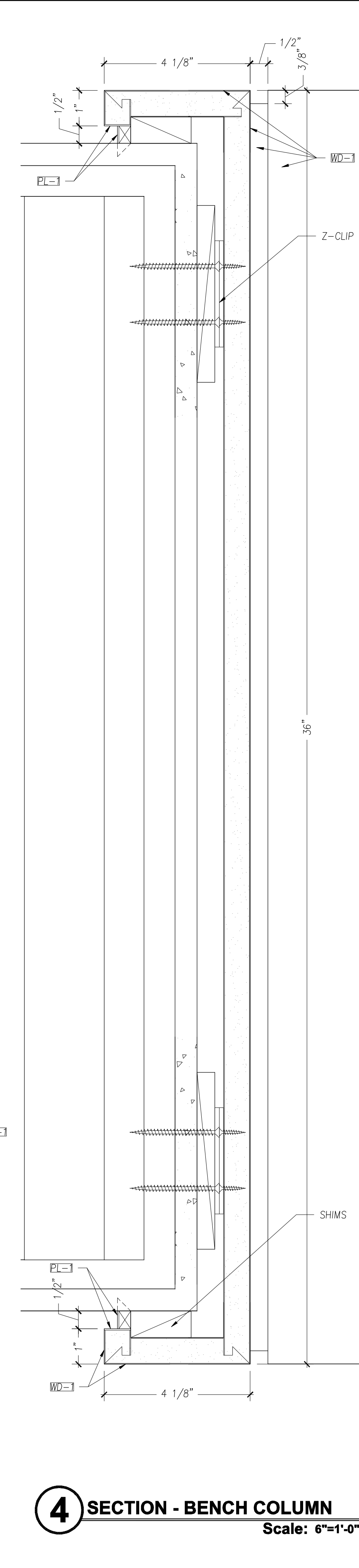


Project Title:
Discovery Center I
9365 Discovery Boulevard
Manassas, Virginia 20109

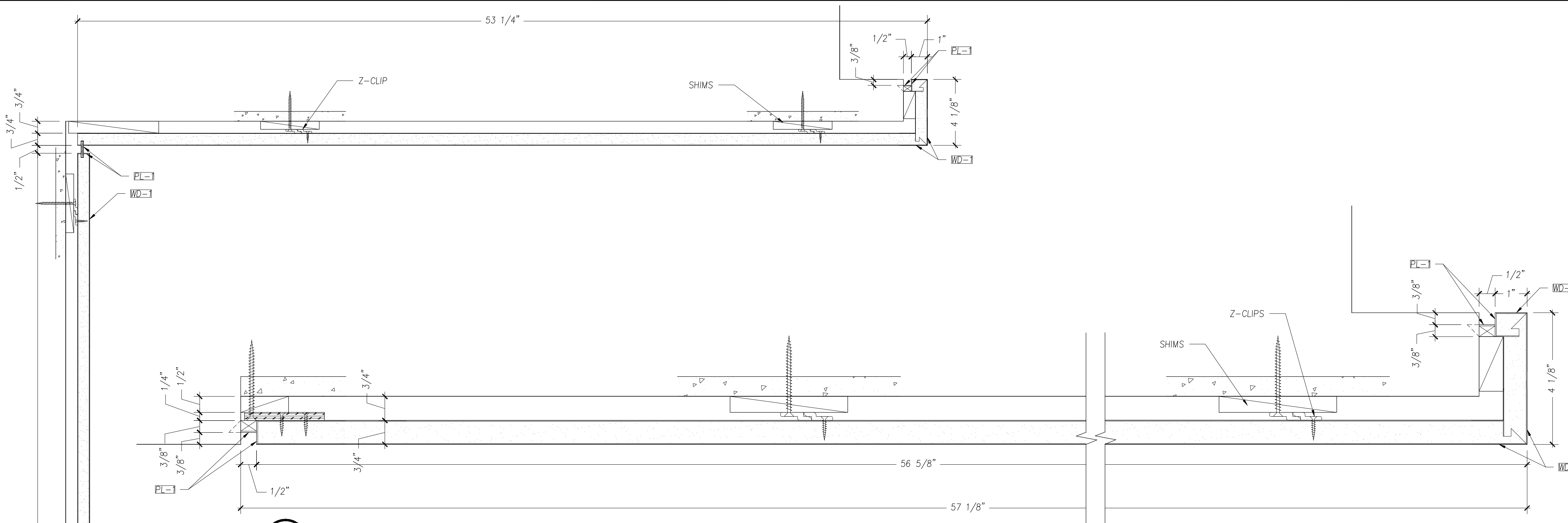
Architect: Powers Brown Architecture
800 Tower Crescent Dr. Suite 240, Vienna, VA 22182
Contractor: R.W. Murray Company
10440 Balls Ford Rd. Suite 100, Manassas, VA 20109

Drawing Title:
SECTION - LOBBY PANELING & BENCH

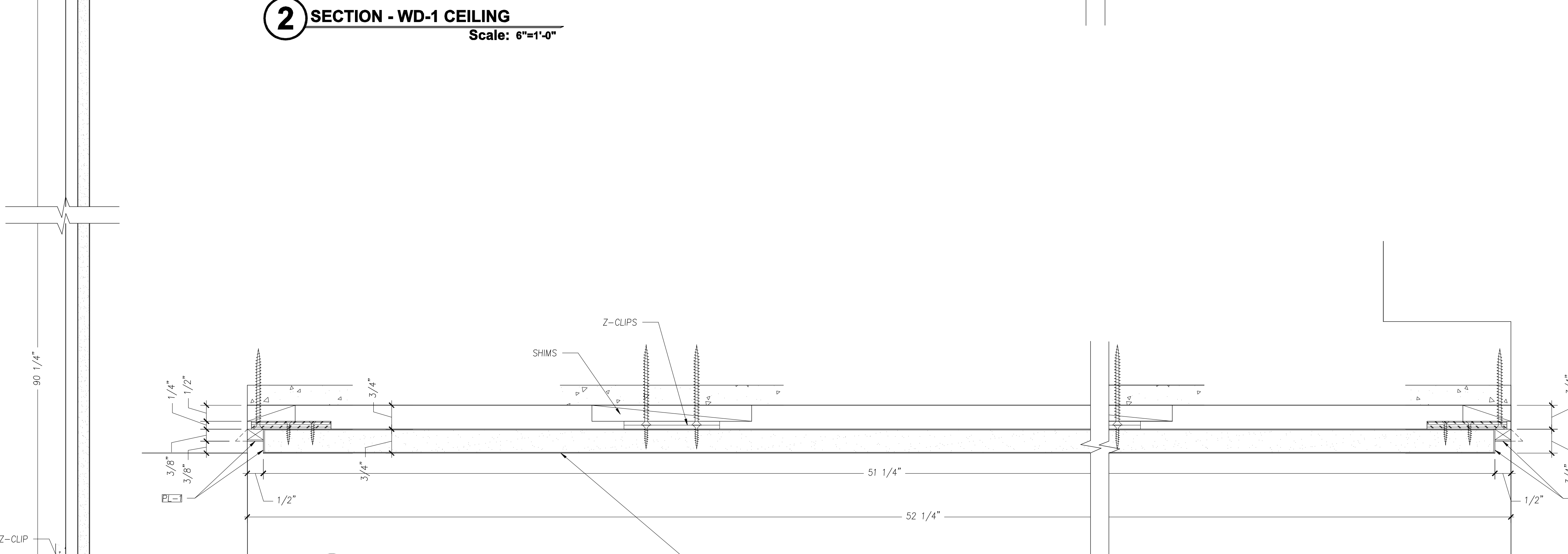
Drawn By:	GM	Scale:	As Noted	Job No.:	N/A	Dwg No.:	1.12
Ref Dwg.:	VARIOUS	Date:	2/13/12				



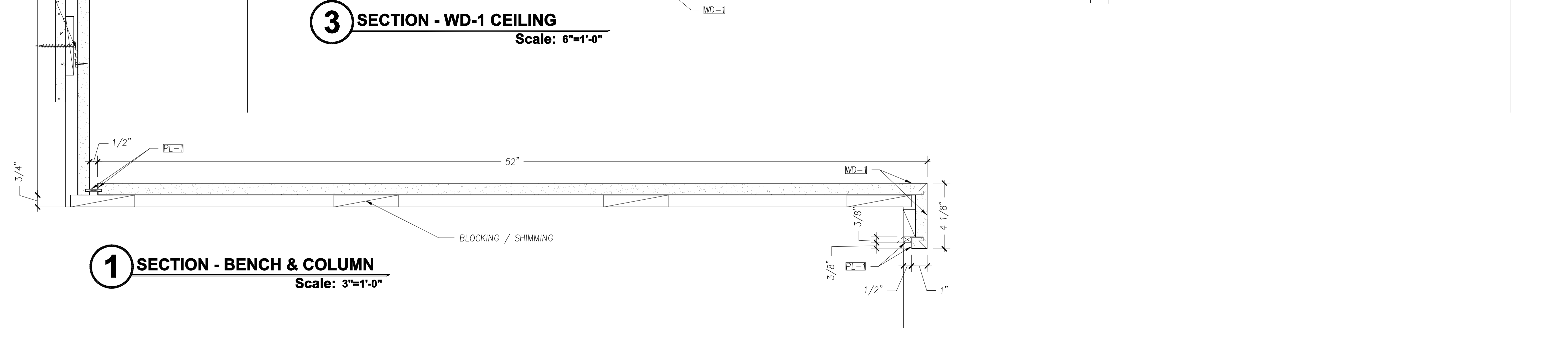
4 SECTION - BENCH COLUMN
Scale: 6"=1'-0"



2 SECTION - WD-1 CEILING
Scale: 6"=1'-0"



3 SECTION - WD-1 CEILING
Scale: 6"=1'-0"



1 SECTION - BENCH & COLUMN
Scale: 3"=1'-0"