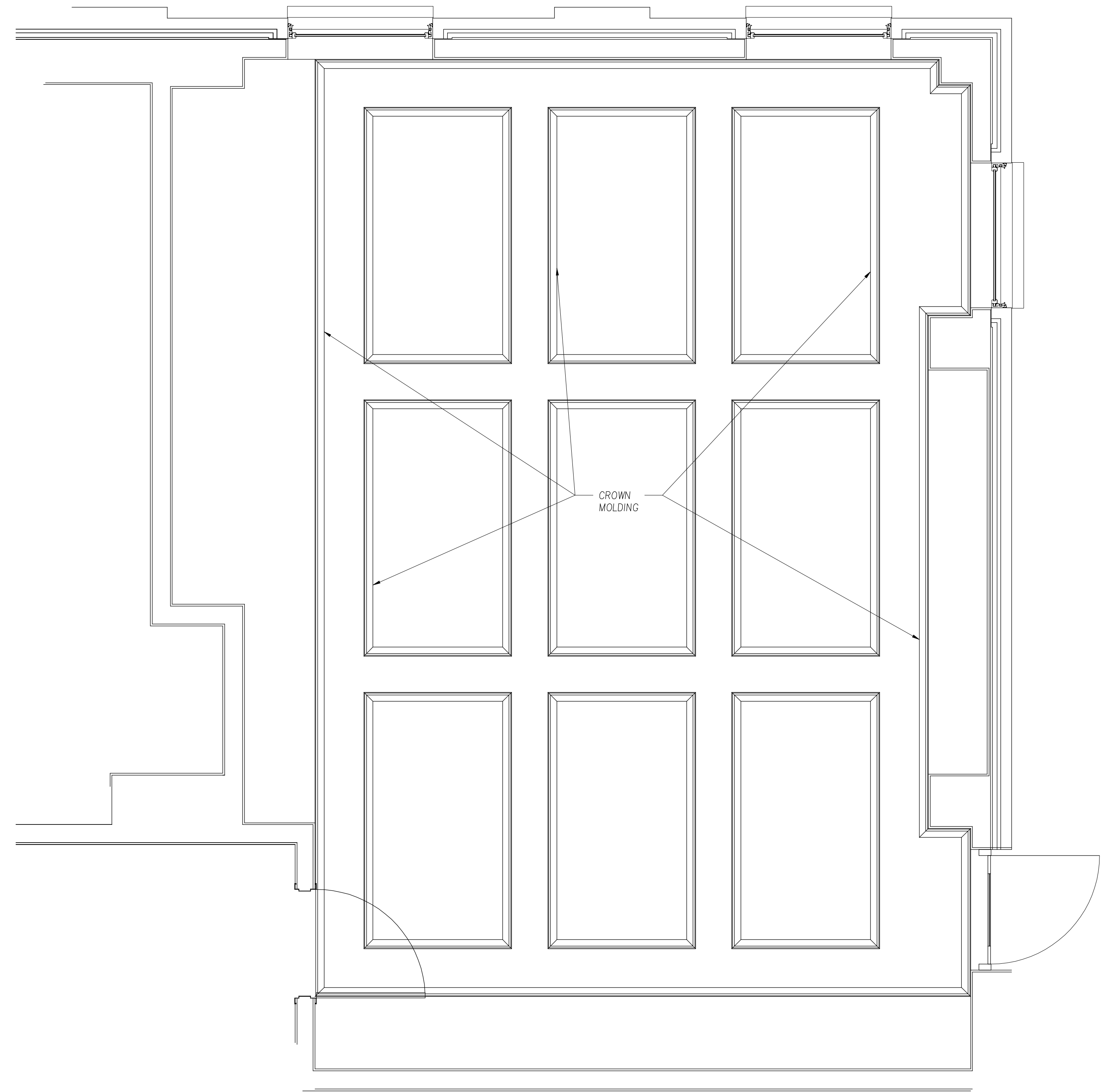
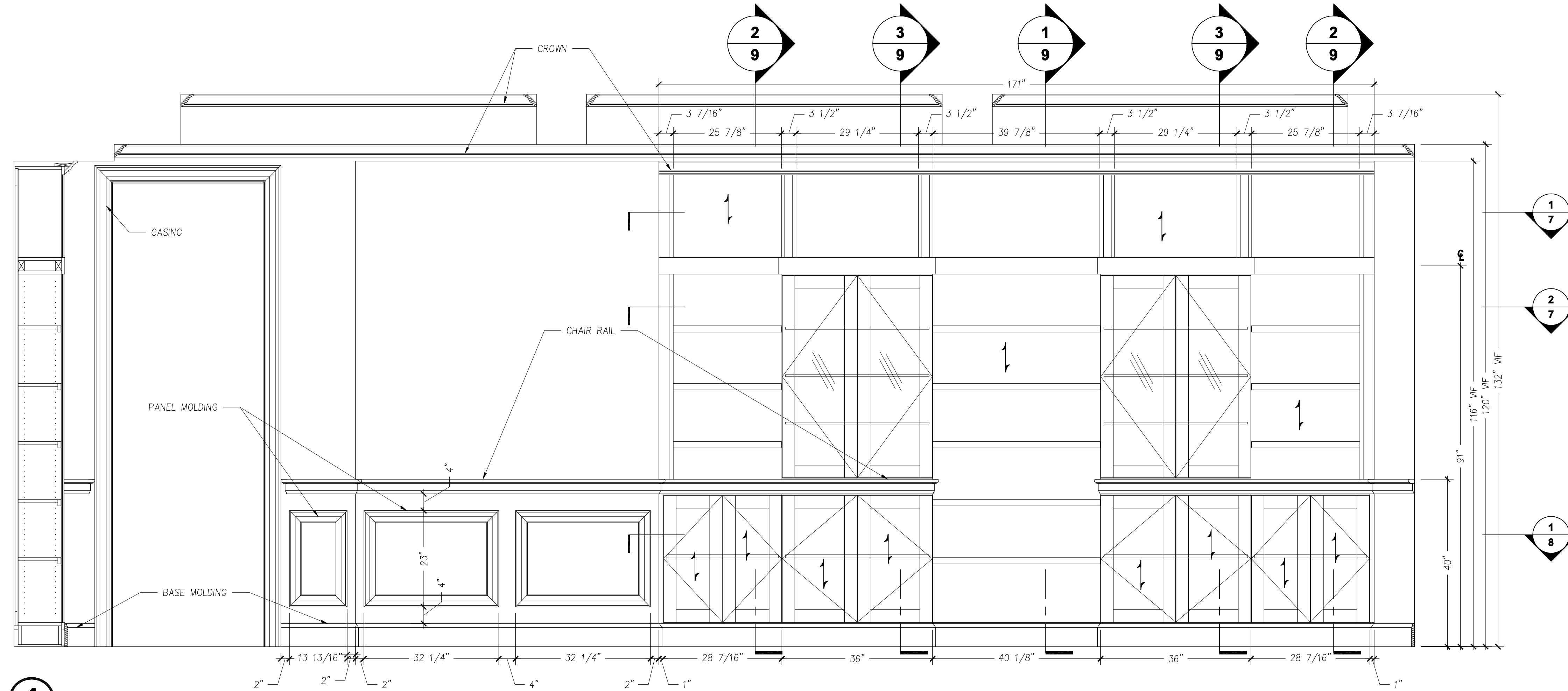


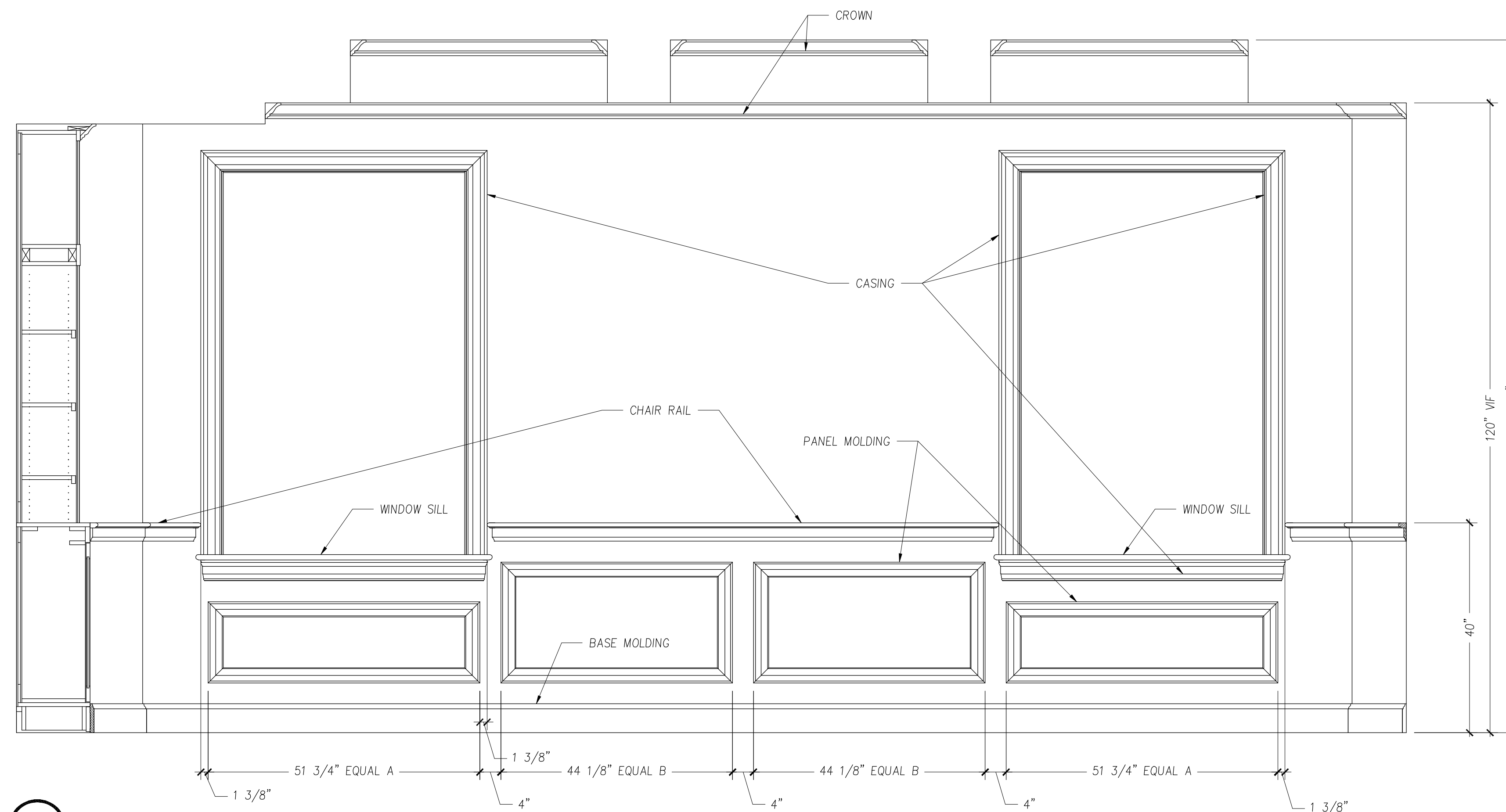
1 FLOOR PLAN - LIBRARY 204
Scale: 1/2"=1'-0"



2 REFLECTED CIELING - LIBRARY 204
Scale: 1/2"=1'-0"



1 ELEVATION - LIBRARY 204 WEST
Scale: 3/4"=1'-0"

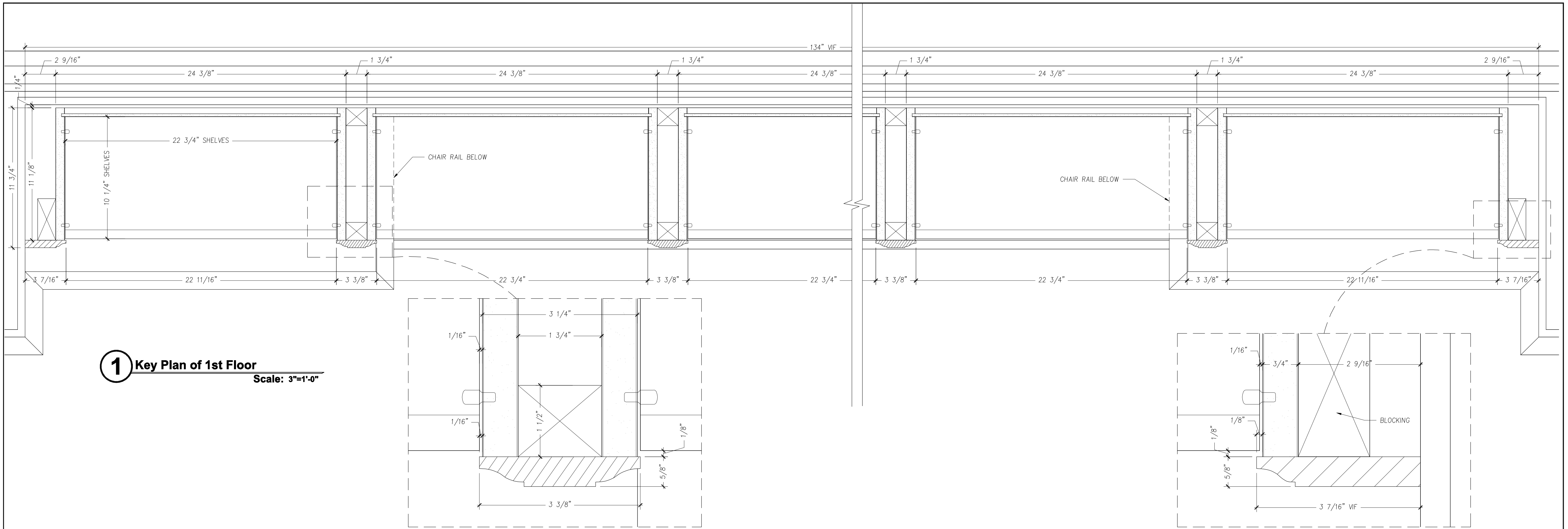


2 ELEVATION - LIBRARY 204 NORTH
Scale: 3/4"=1'-0"

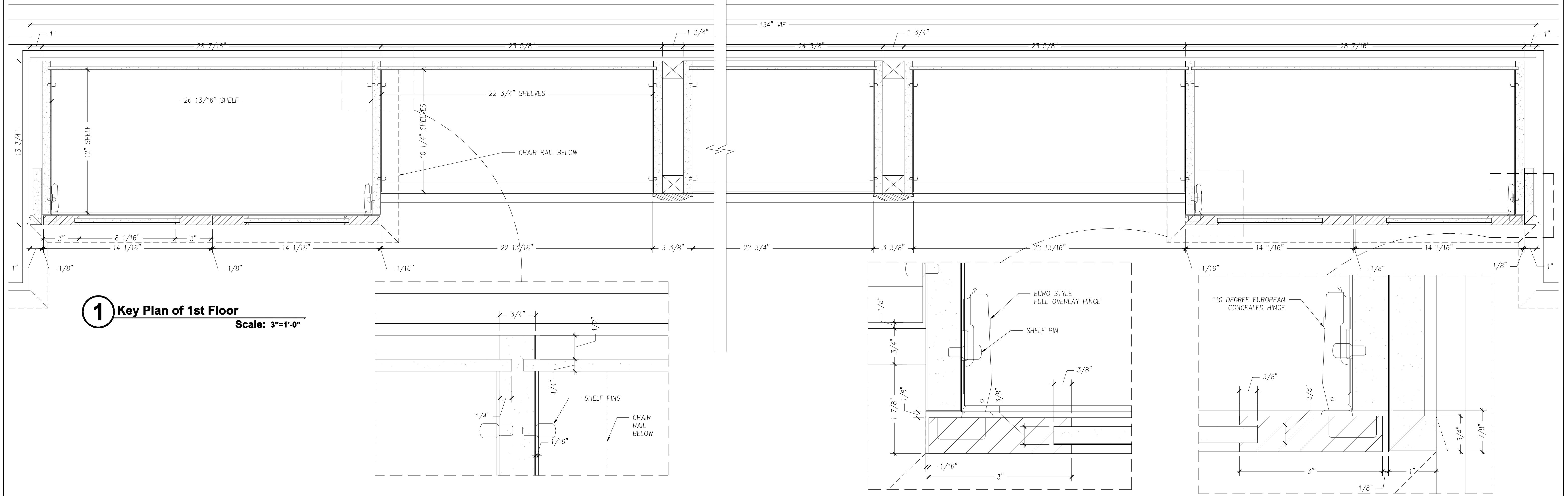
JOB NO.	
DATE	4/23/12
DRAWN	GM
CHECKED	--

REVISIONS

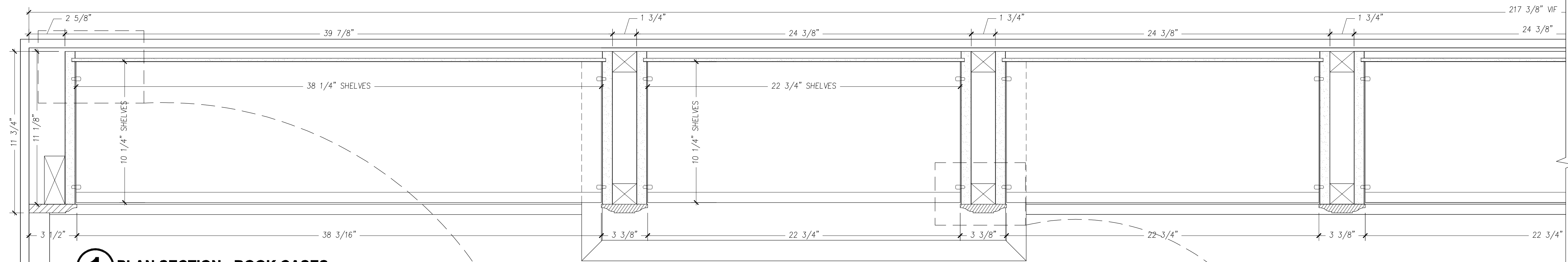
SHEET



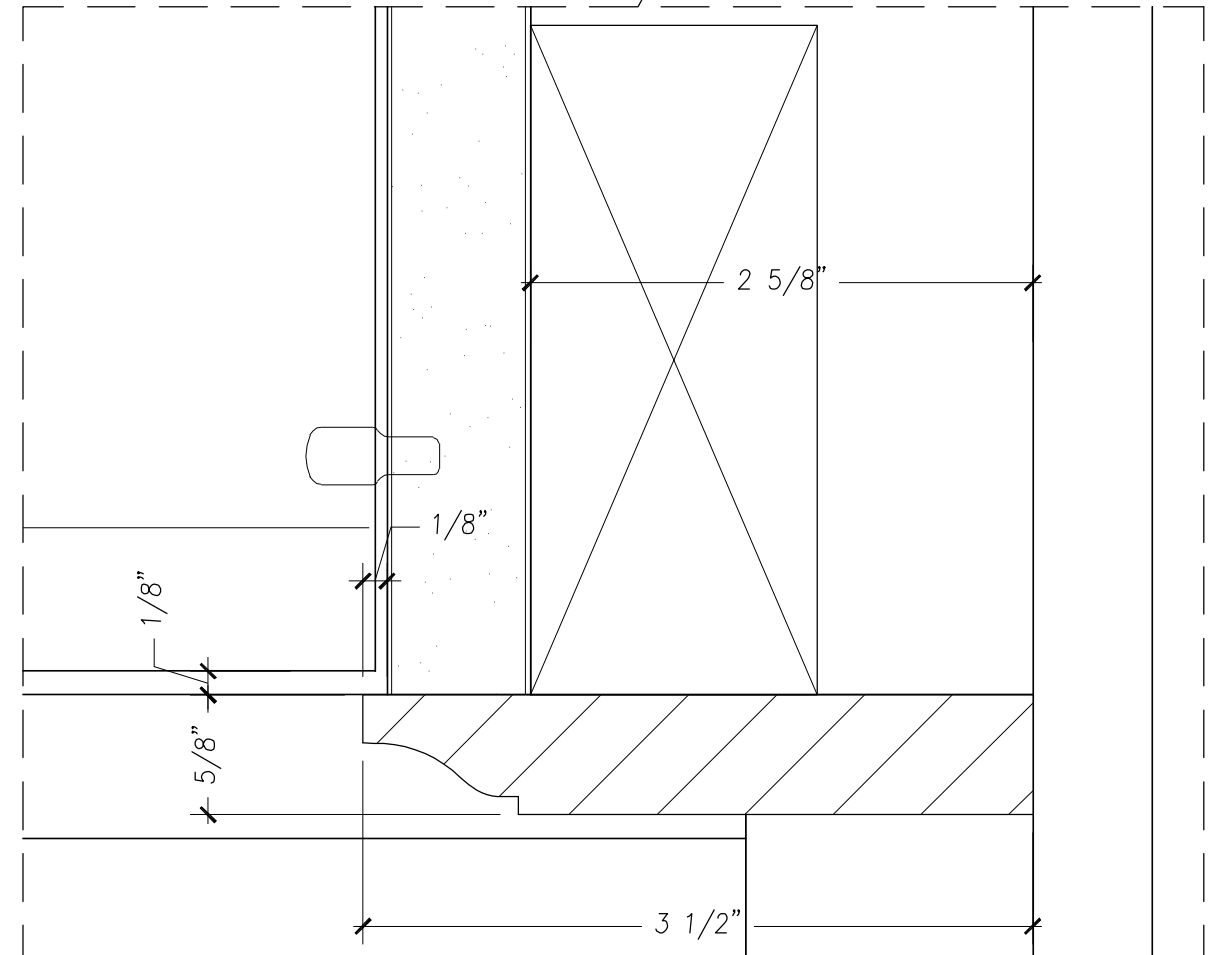
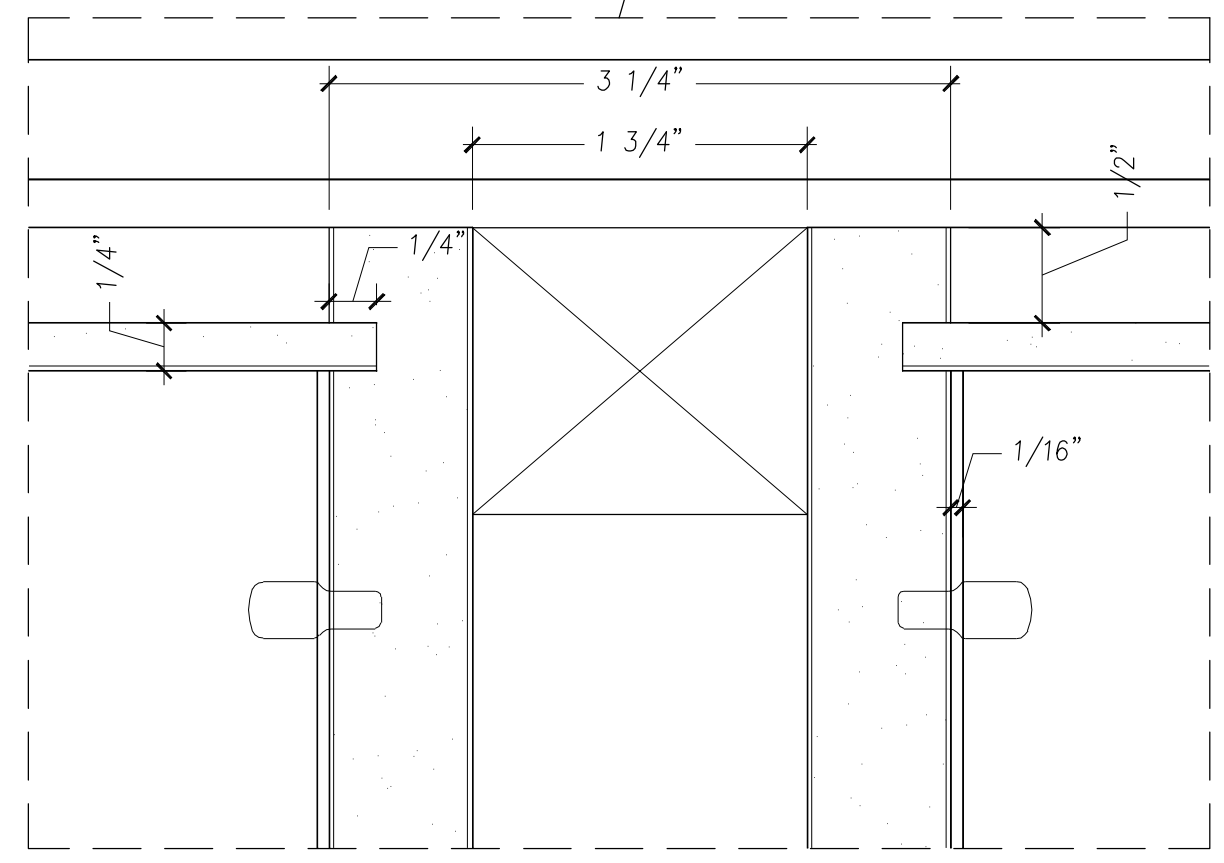
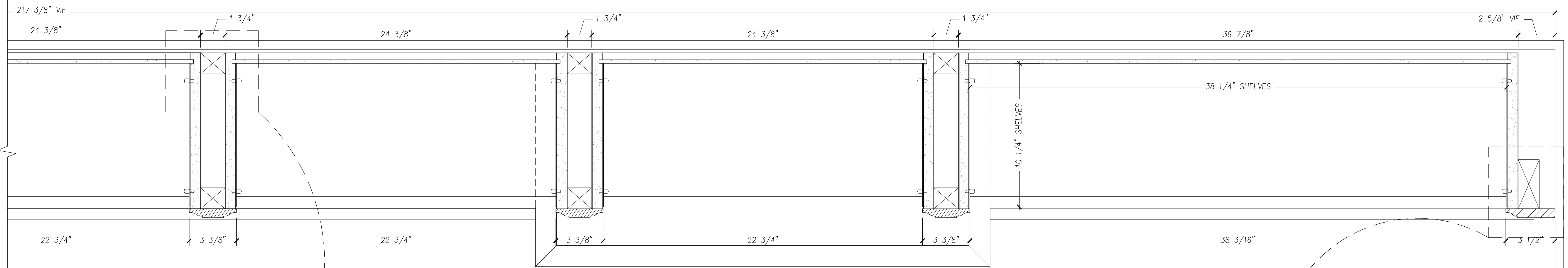
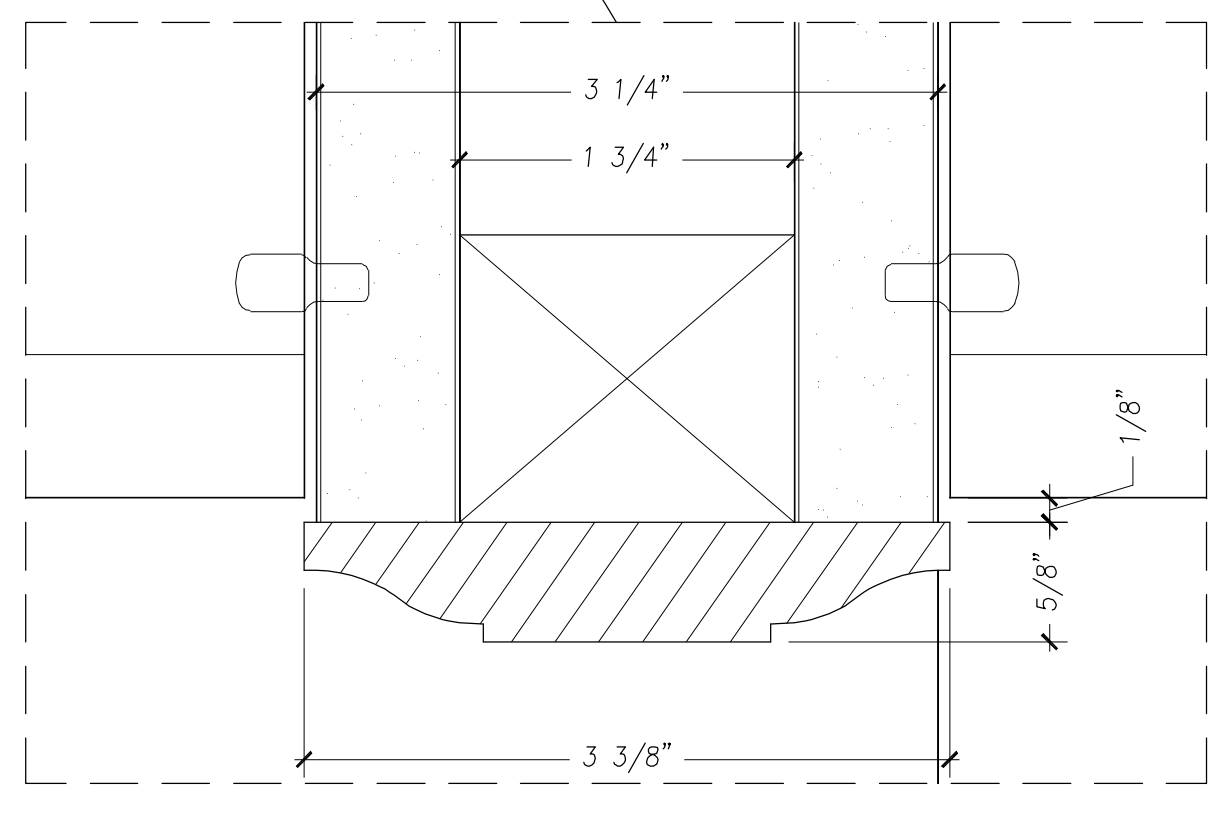
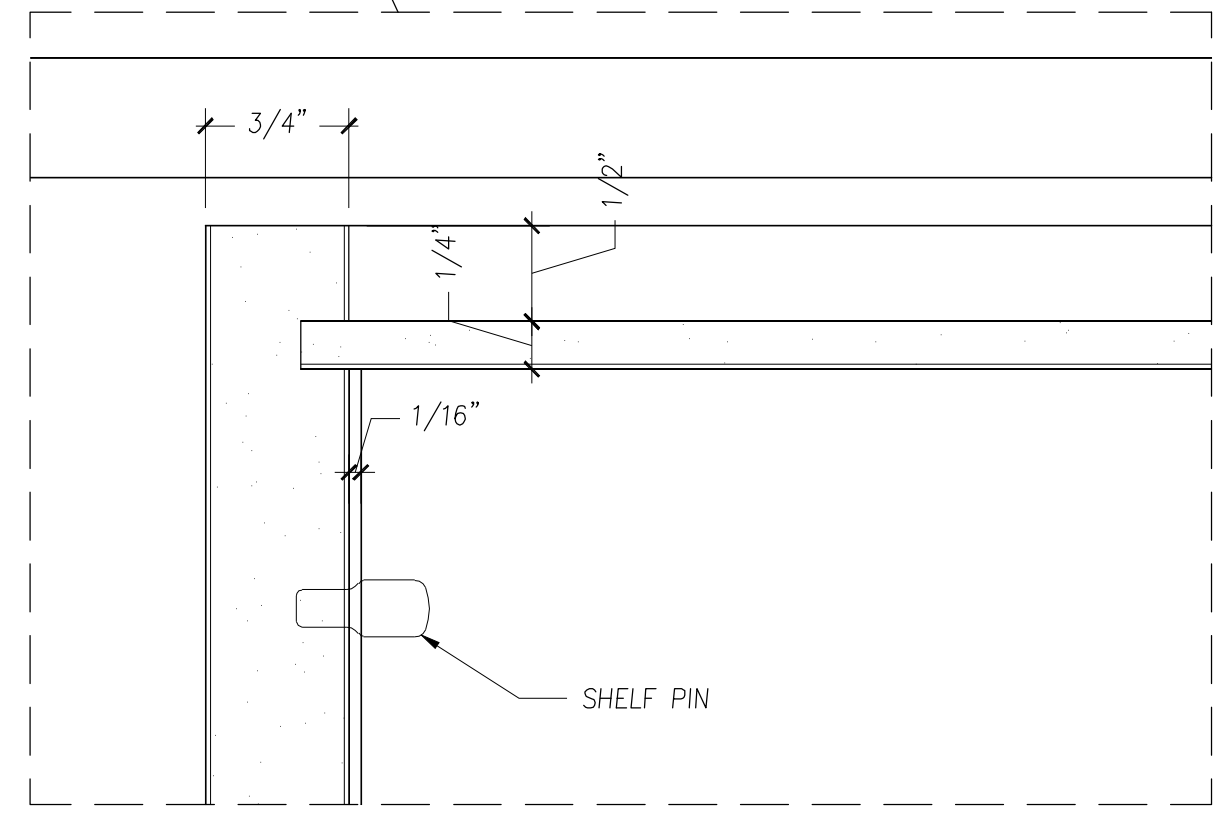
1 Key Plan of 1st Floor
Scale: 3"=1'-0"

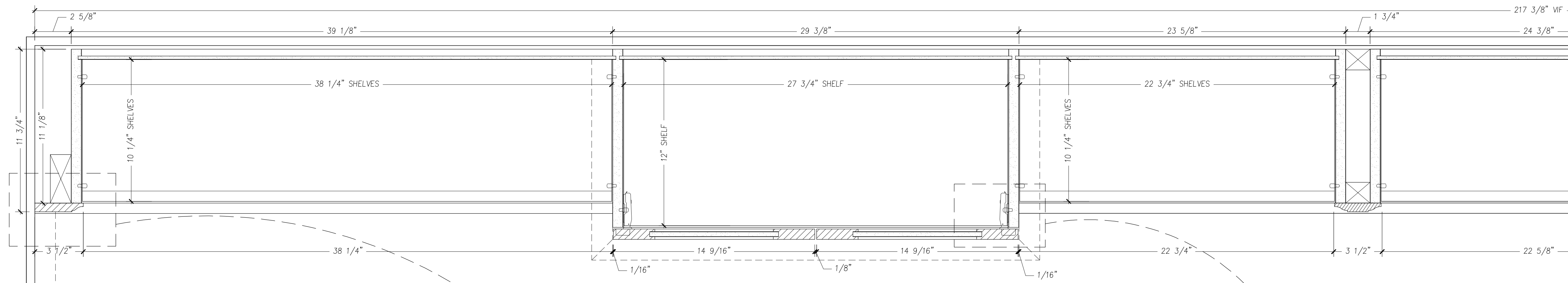


1 Key Plan of 1st Floor
Scale: 3"=1'-0"

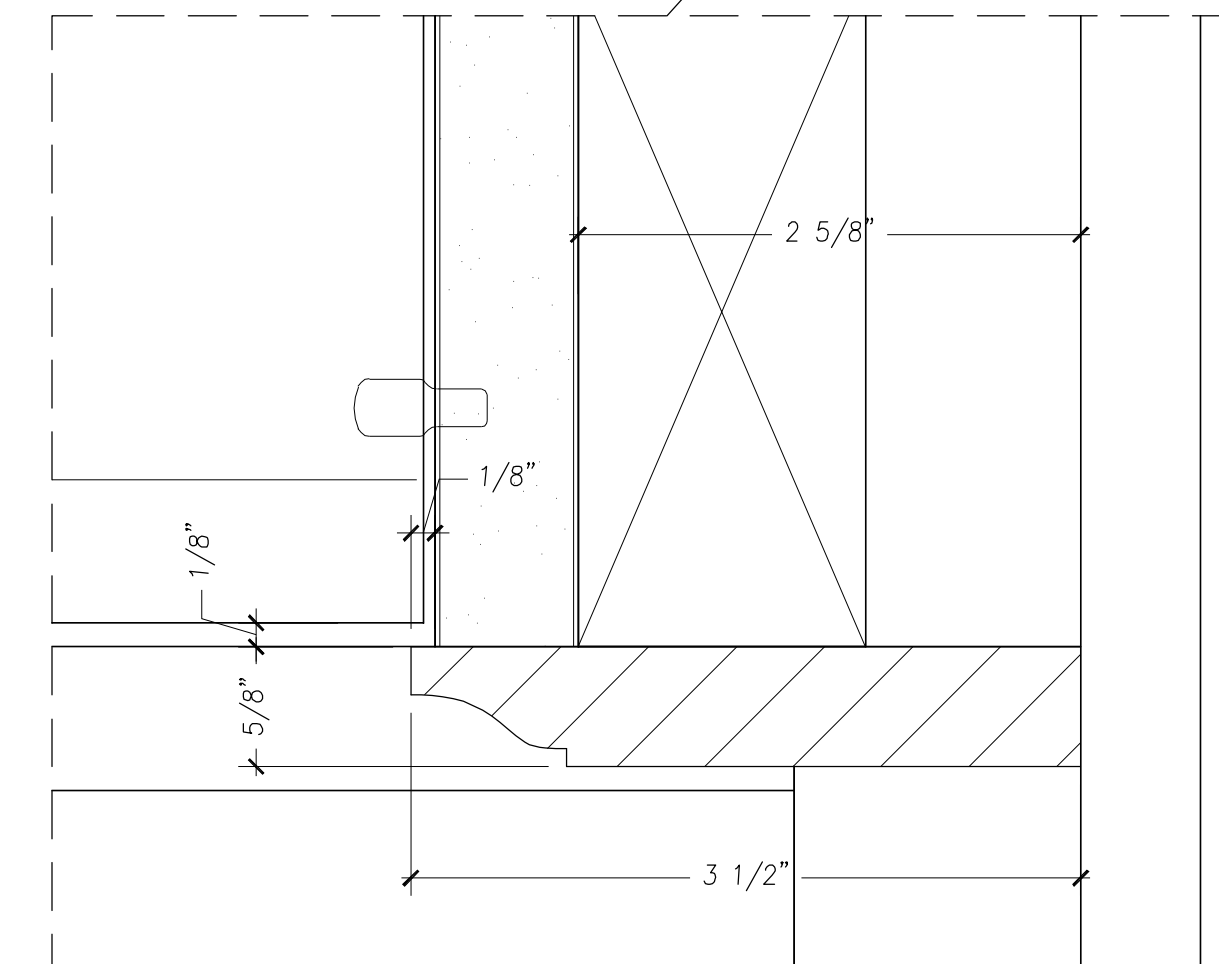
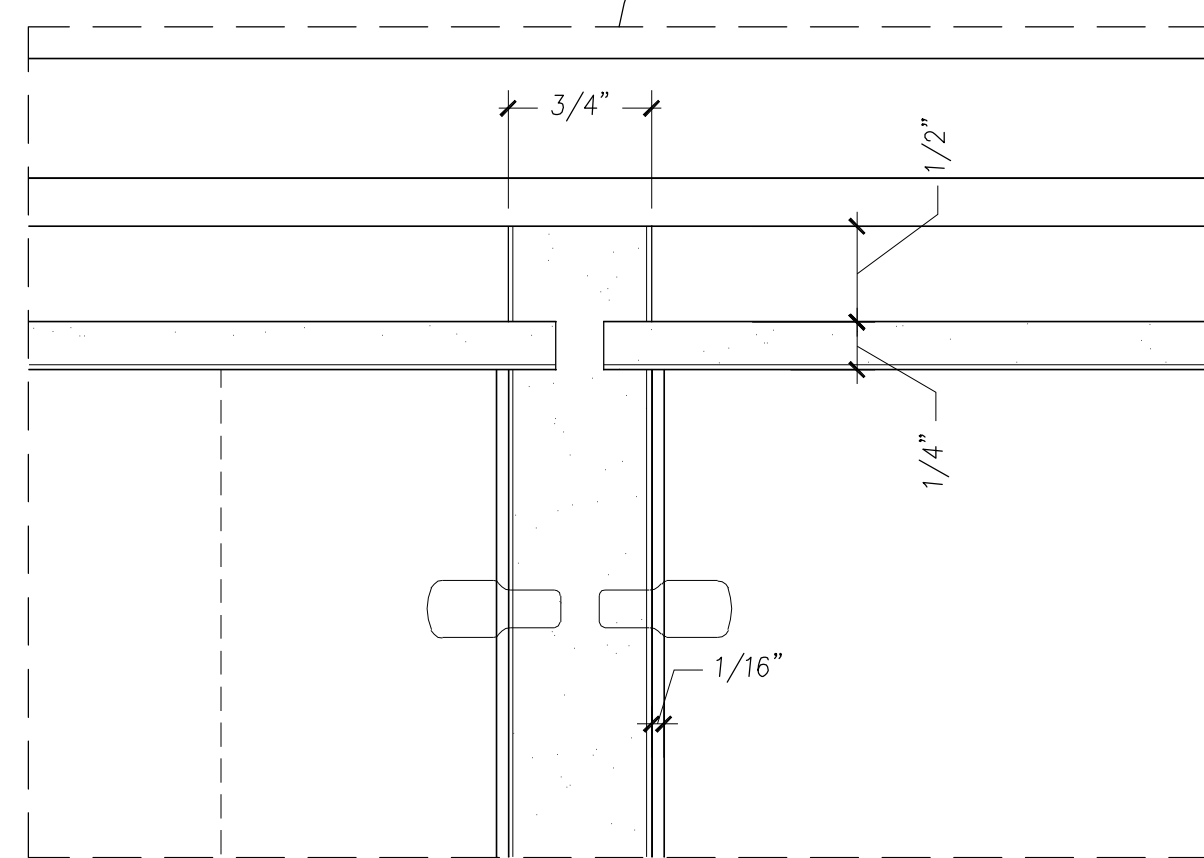
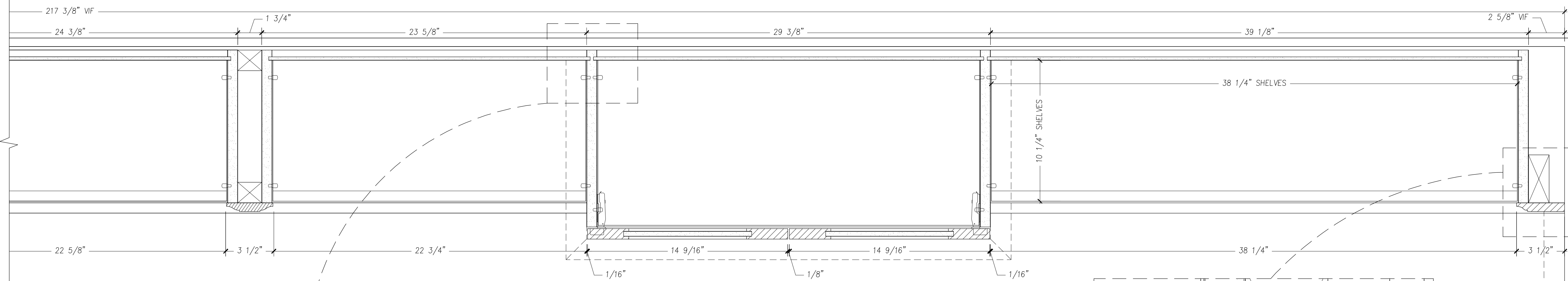
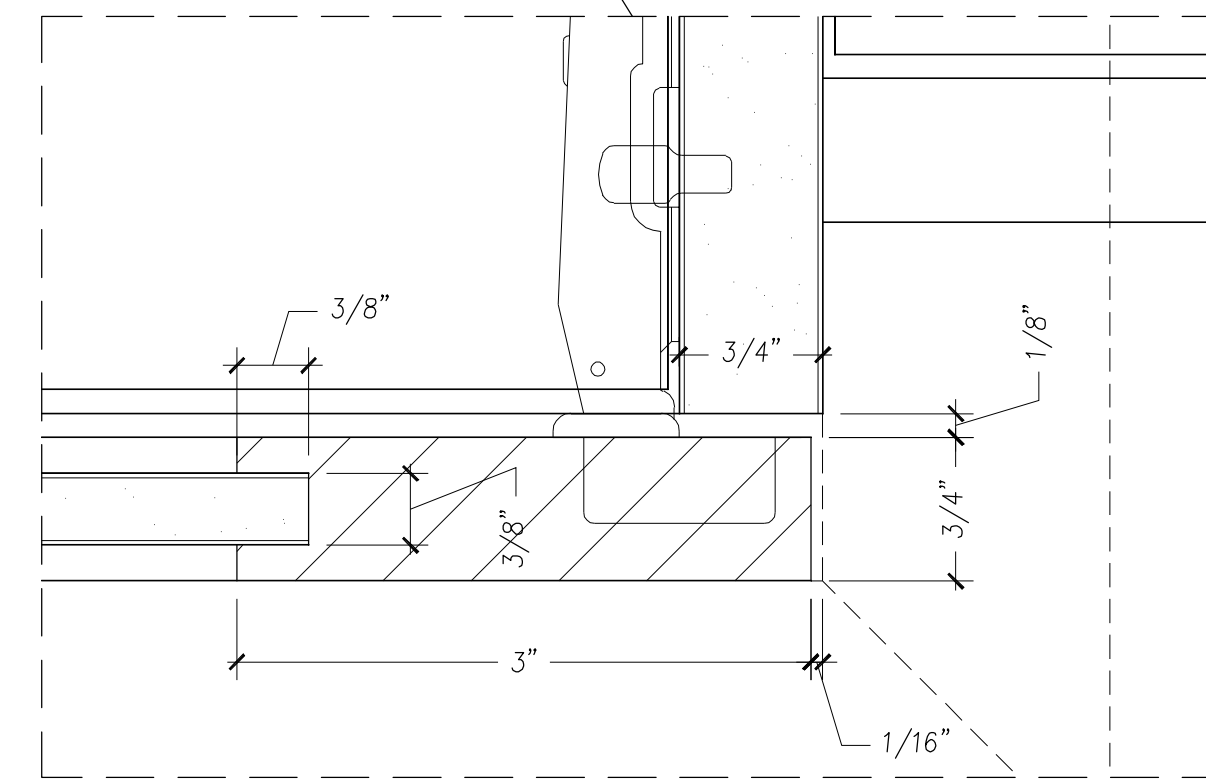
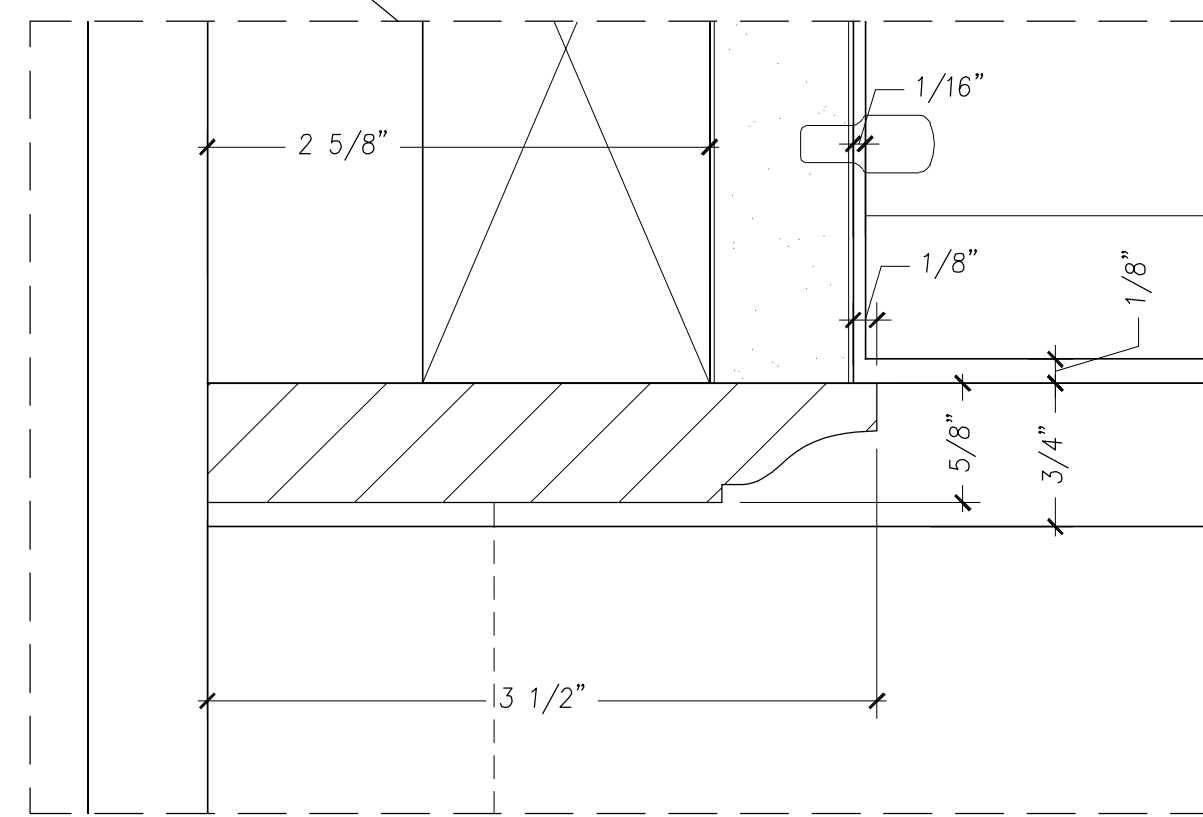


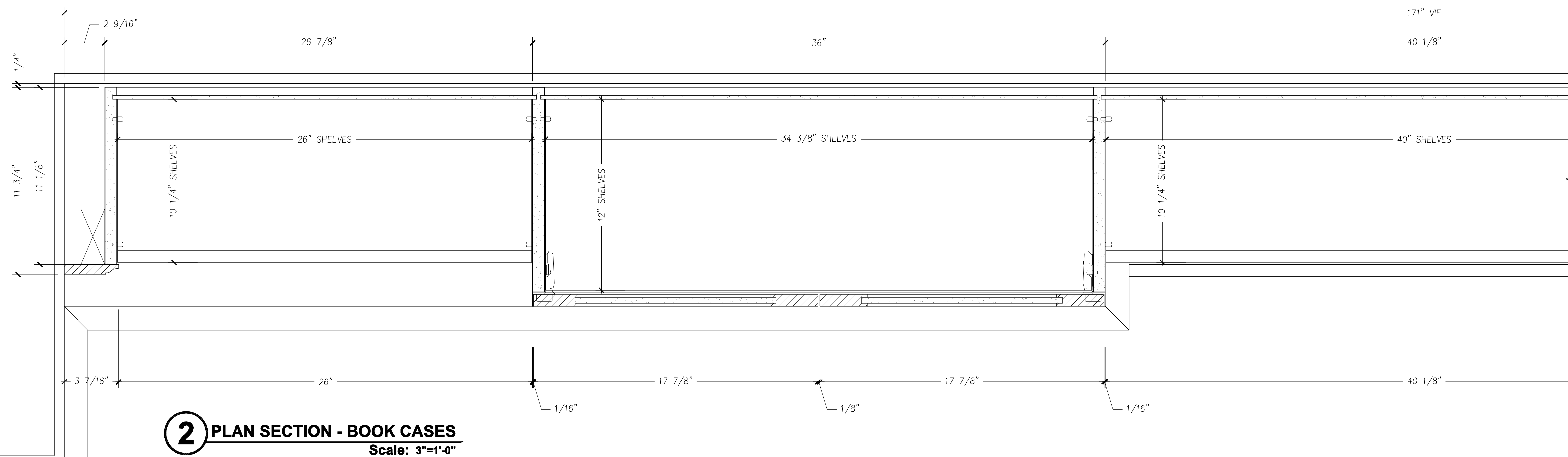
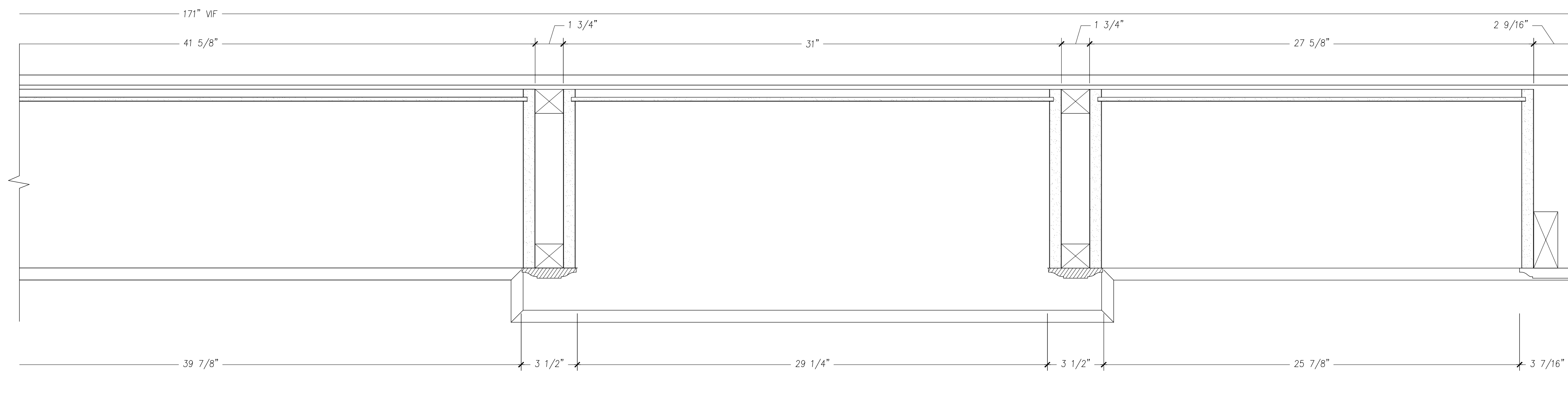
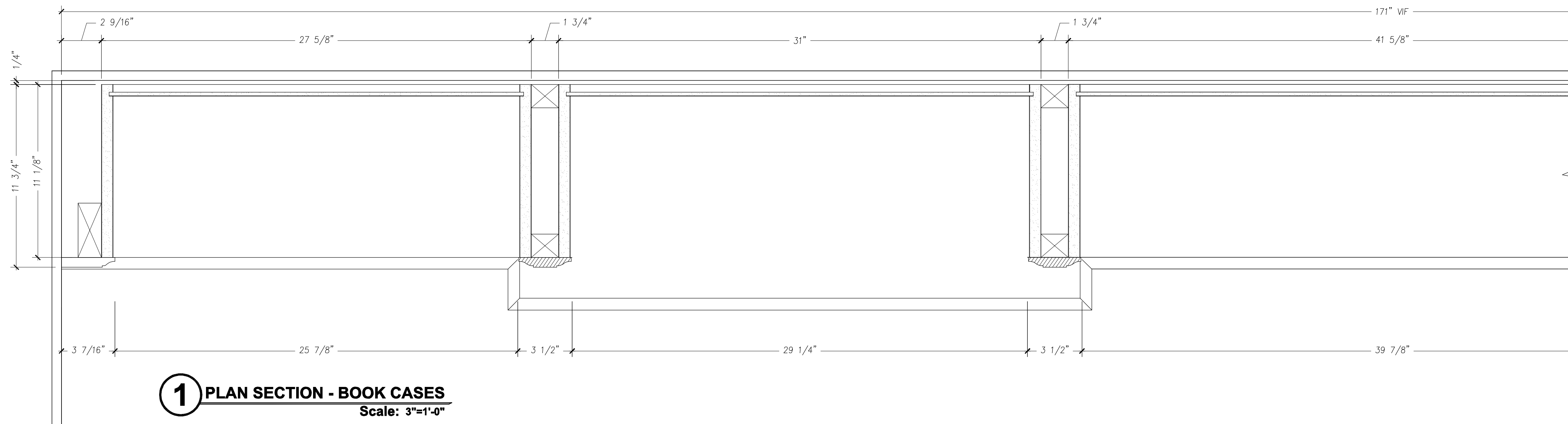
1 PLAN SECTION - BOOK CASES
Scale: 3"=1'-0"





1 PLAN SECTION - BOOK CASES
Scale: 3"=1'-0"





**CONTINUED ON
NEXT PAGE, 2.08**



WESTERN KENTUCKY UNIVERSITY
ALUMNI MEETING CENTER
KENTUCKY STREET & 14TH AVENUE
BOWLING GREEN, KENTUCKY 42101

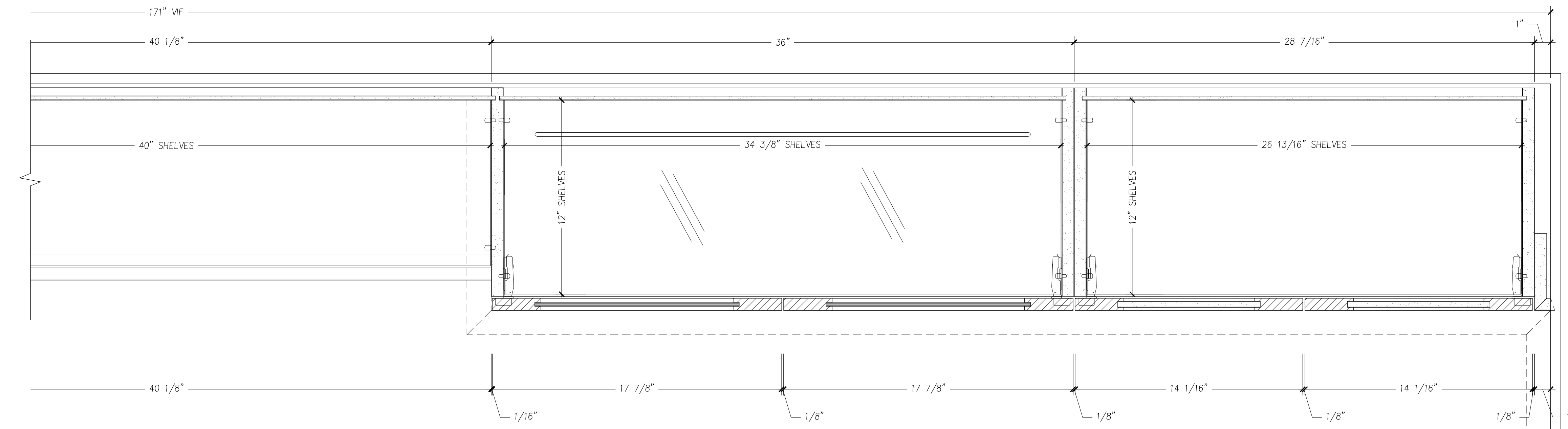
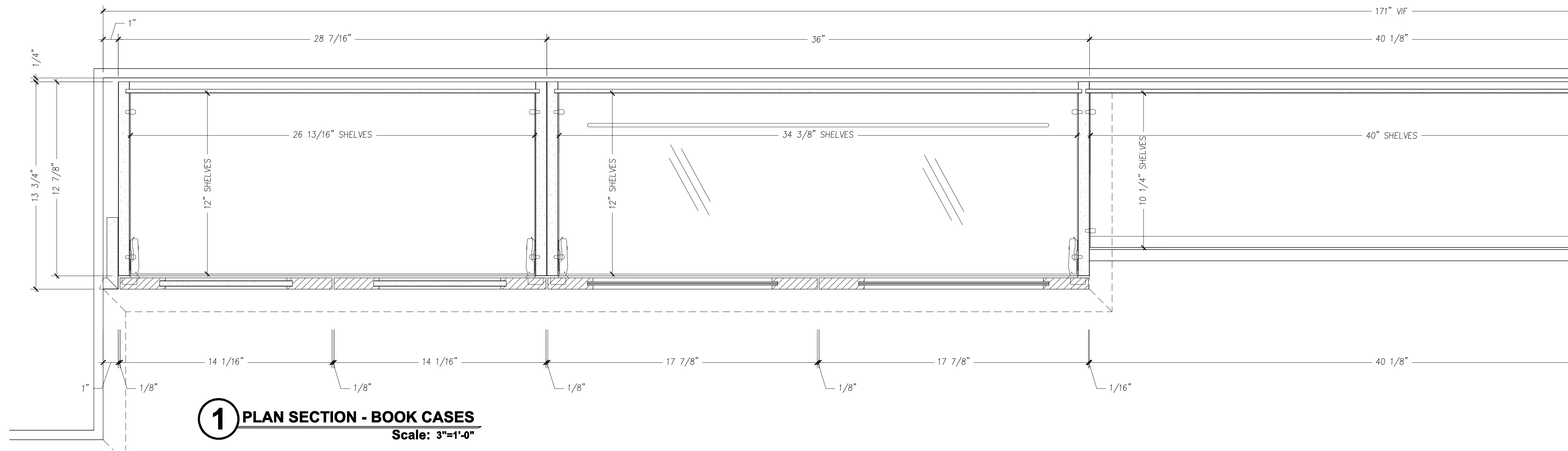
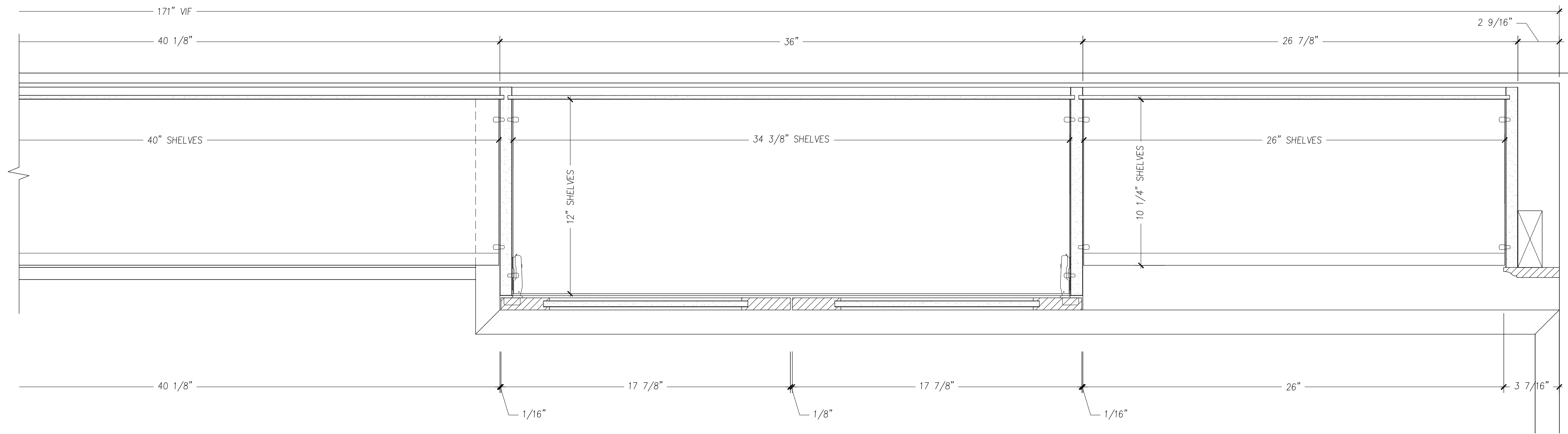
SHOP DRAWINGS

JOB NO.	
DATE	4/23/12
DRAWN	GM
CHECKED	--

REVISIONS

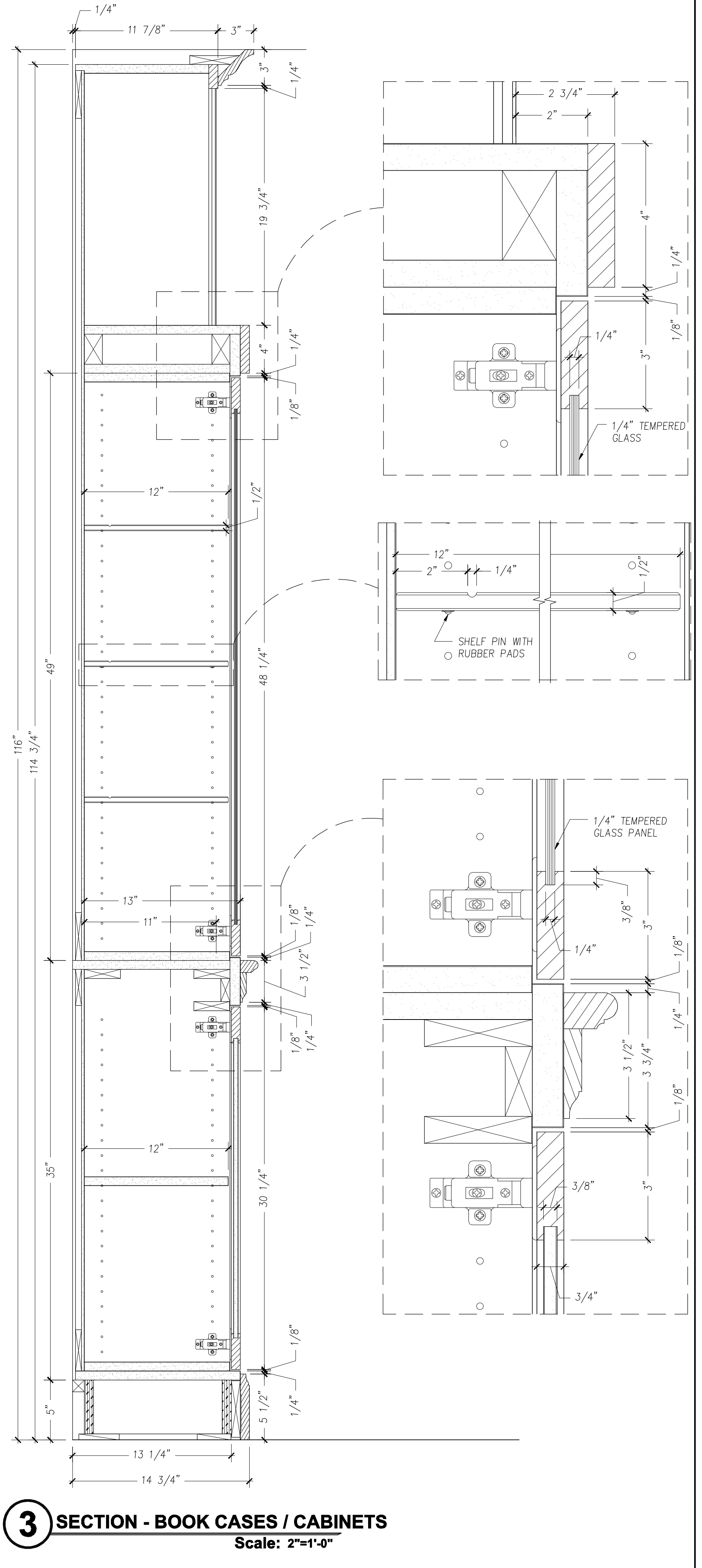
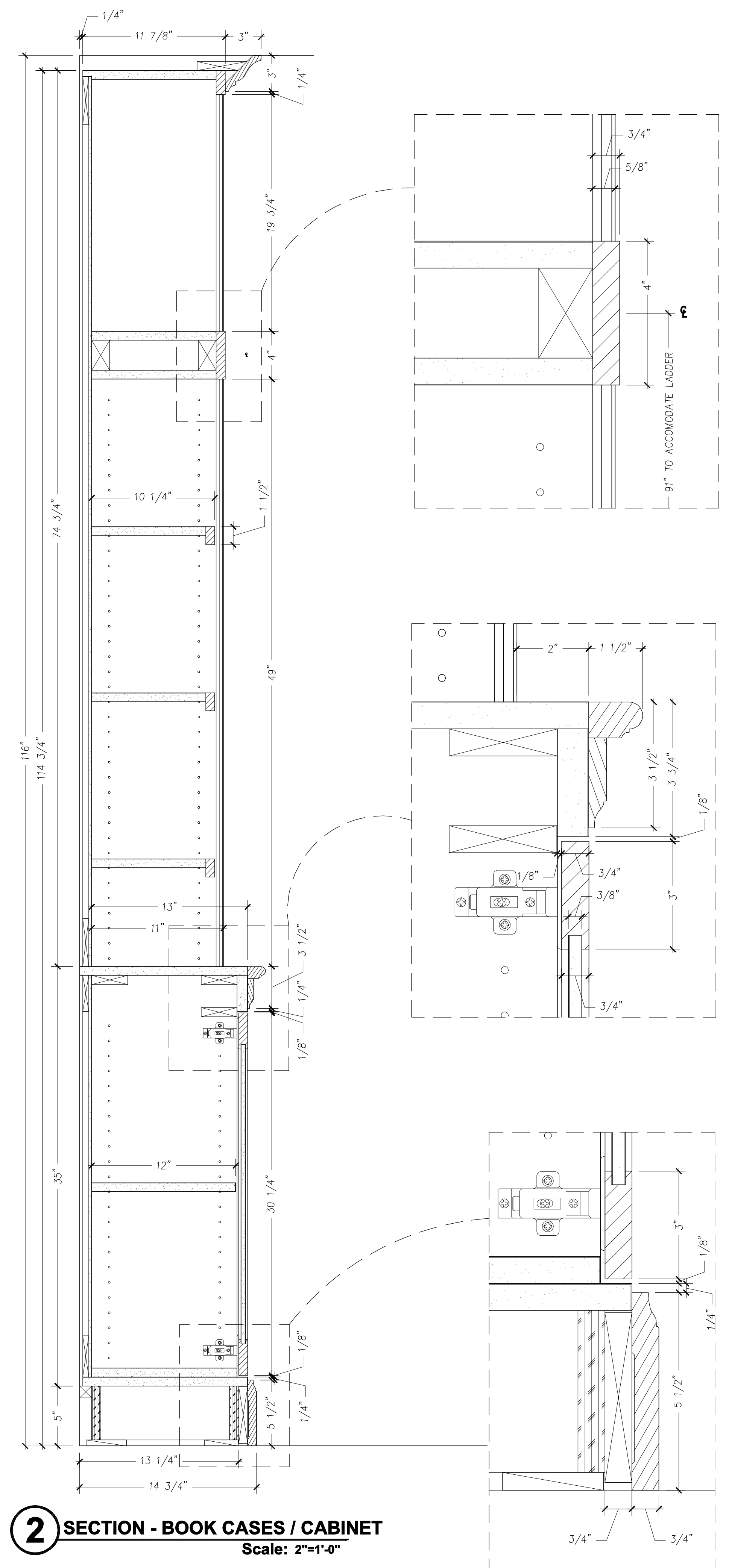
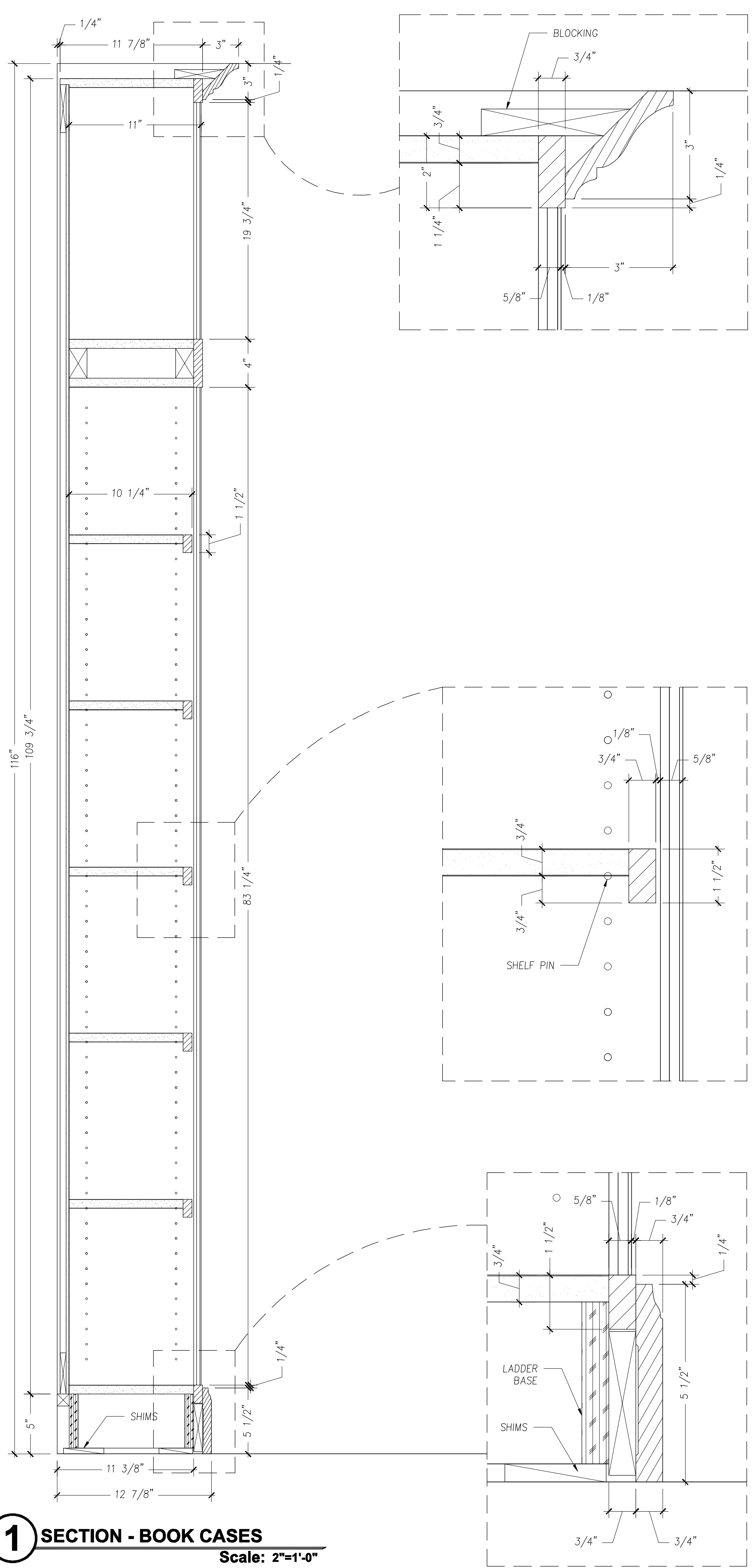
SHEET
2.07

**CONTINUED FROM
PREVIOUS PAGE, 2.07**



JOB NO.	
DATE	4/23/12
DRAWN	GM
CHECKED	--

REVISIONS



1 SECTION - BOOK CASES
Scale: 2"=1'-0"

2 SECTION - BOOK CASES / CABINET
Scale: 2"=1'-0"

3 SECTION - BOOK CASES / CABINETS
Scale: 2"=1'-0"



WESTERN KENTUCKY UNIVERSITY
ALUMNI MEETING CENTER
KENTUCKY STREET & 14TH AVENUE
BOWLING GREEN, KENTUCKY 42101

SHOP DRAWINGS

JOB NO.	
DATE	4/23/12
DRAWN	GM
CHECKED	--

REVISIONS

SHEET
2.09